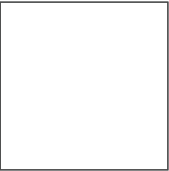




D U N E



Booklet available in English on  
Heft in deutscher Sprache erhältlich auf  
Livret disponible en français sur  
Libretto disponibile in italiano su  
Folleto en español disponible en  
如需中文版手册, 请访问





LEGO.com/sustainable-packaging



FR  
**DONNEZ**  
OU  
**RECYCLEZ**



ASSOCIATION

OU



MAGASIN

OU



DÉCHÈTERIE

Adresses sur [quefairedemesdechets.fr](http://quefairedemesdechets.fr)



# BUILDER



Apple and the Apple logo are trademarks of Apple Inc., registered in the U.S. and other countries and regions. App Store is a service mark of Apple Inc. Google Play and the Google Play logo are trademarks of Google LLC. Tencent and the Tencent logo are trademarks of Tencent Inc.

LEGO.com/devicecheck



LEGO® Builder

# CULTIVATING DESERT POWER

🏠 *Dune* and *Dune: Part Two* have captivated long-term and new fans of the immersive universe created by Frank Herbert in his 1965 novel. Set in the year 10191, on the brink of an interstellar conflict, the story chronicles young Paul Atreides' rise to the calling of his noble heritage. By order of the omnipotent Emperor, Paul is thrust into unfamiliar territory on planet Arrakis, also known as Dune, which is inhabited by powerful desert warriors, the Fremen, and the only known planet to produce the precious spice. As the treacherous Baron Harkonnen turns against the Atreides family, Paul uncovers the deepest secrets of the planet, its people and his own destiny.

Riddled with gargantuan sandworms known to the Fremen as Shai-Hulud, the inhospitable desert world is perilous to travel by land. Flying vehicles are vital to survival. The ornithopter is built to withstand Arrakis' scorching heat, sandstorms and winds of more than 800 km/h (497 mph). It plays a pivotal role in several key sequences, starting with the Atreides family's arrival at the capital city of Arrakeen and Duke Leto's inspection of a spice-harvesting operation, where Paul first experiences the open desert. Reminiscent of a dragonfly, with no computer systems, the ornithopter's eight wings can fold up against its body while grounded or during quick dives, and flap rapidly when extended. The vehicle's landing legs retract to optimise its aerodynamic properties.



# MEET THE MINIFIGURE CHARACTERS



## PAUL ATREIDES

*The son of a Duke, born into a destiny greater than his royal title, young Paul is thrust into an epic adventure of discovery that will take him across the galaxy to a barren and inhospitable world with danger around every corner. Paul must rise to conquer his fears as the fate of the galaxy rests on his young and untested shoulders.*



## DR. LIET-KYNES

*Imperial Planetologist and Judge of the Change, assigned by the Emperor to oversee the smooth transition of power on Arrakis. An expert on the planet and the ways of its people, her connection to Dune goes beyond mere duty – she has forged a bond with the land and its inhabitants that has made her more Fremen than Imperial.*



## DUKE LETO ATREIDES

*Duke Leto is a man guided by two watchwords: honour and duty. The noble and beloved head of House Atreides, he must lead his people in an exodus to a new world and protect his son, Paul, as malevolent forces gather, threatening to permanently erase the Atreides name from the pages of history.*



## LADY JESSICA

*A mother and leader bonded unbreakably with her son – a royal heir with a far-greater destiny. In motherhood, what began as an act of duty became an act of love. Skilled at influencing others by wielding the mysterious powers of her Bene Gesserit voice and mind, she must prepare Paul to one day lead an army as the last light of hope to save a universe from falling into darkness.*



### GURNEY HALLECK

*Trusted advisor of Duke Leto and Warmaster of House Atreides, Gurney Halleck is an irreverent and quick-witted artist with a sword, and is equally skilled at wielding a song with his chosen instrument, the baliset. Gurney will do whatever it takes to protect the Duke and his family — people as dear to him as the family he lost to the Harkonnens.*



### CHANI

*A powerful Fremen warrior, Chani is a mysterious vision with haunting blue eyes who visits Paul's dreams, calling him to an unknown destiny beyond the far reaches of the galaxy. When she is revealed to be more than just a dream, Paul is haunted by a new mystery: how can two people who have never met know each other so intimately?*



### DUNCAN IDAHO

*Known as the 'killer extraordinary', Duncan is a tactical combat expert and confidant loyal to House Atreides. The most gifted Swordmaster in the Known Universe, he is always watching the horizon in a world of unknown dangers. Forging a bond with young Paul and Duke Leto, Duncan is the first Atreides soldier sent by the Duke to scout out the forbidding planet of Dune.*



### BARON VALDIMIR HARKONNEN

*A Machiavellian force of malevolence, determined to feed his addiction to brutality. A gravity-defying monster of a man, gliding through the air like a phantom of cruelty, the figurehead of House Harkonnen rules through fear, determined to take back the throne and reclaim the spice-rich sands of Dune from House Atreides. While this black-blooded tyrant breathes, no one is safe.*

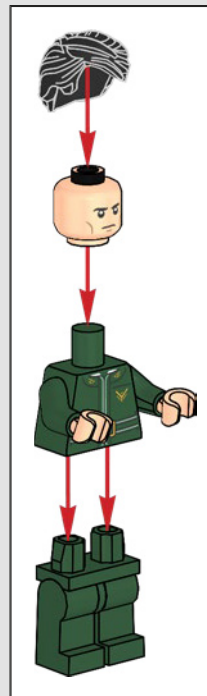
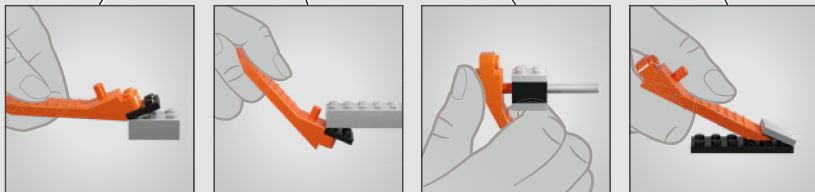
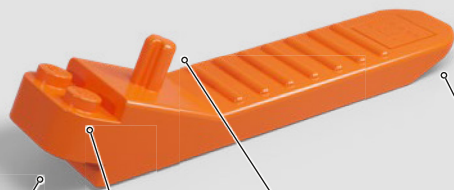


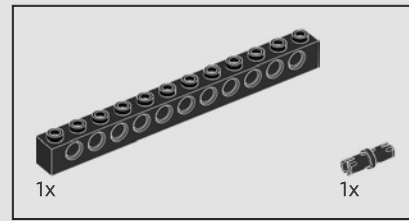
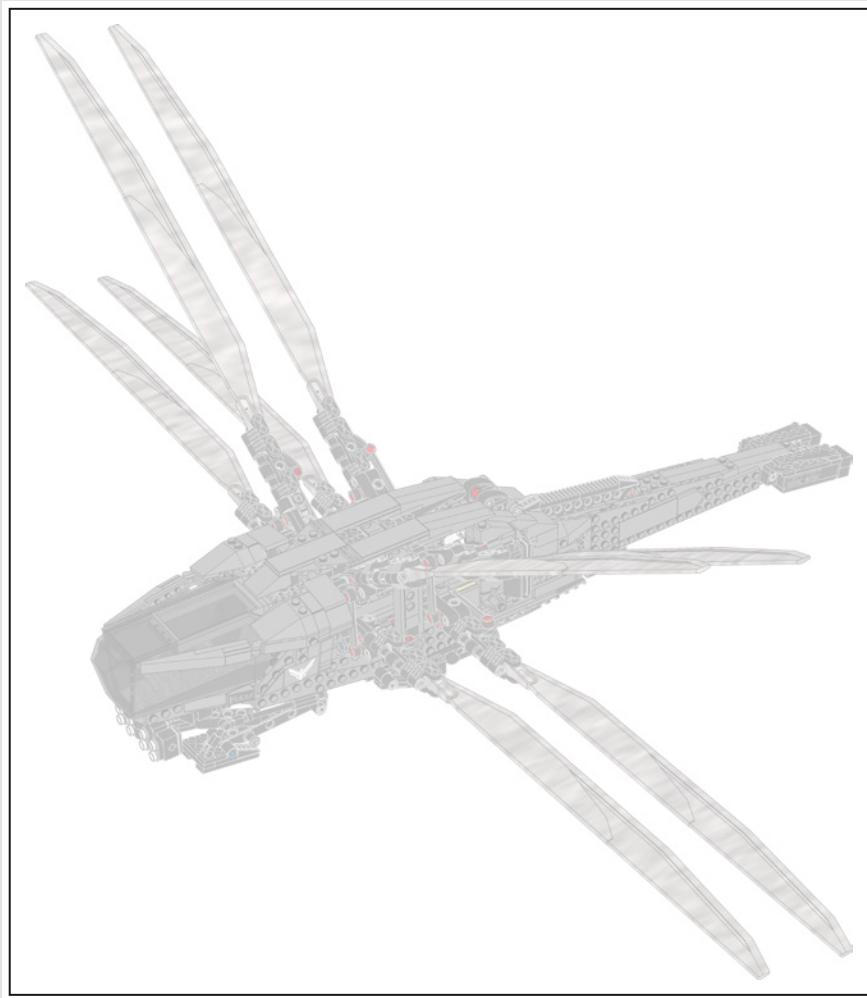


# FROM THE LEGO® DESIGN TEAM

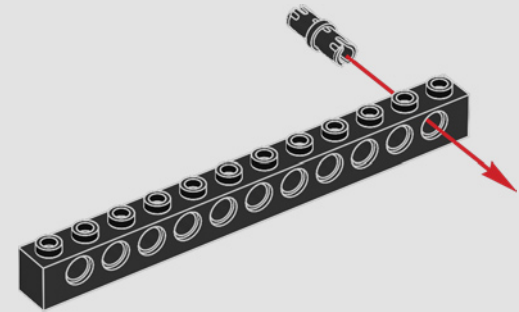
📍 "This LEGO® model is a minifigure-scale recreation of the House Atreides Royal Ornithopter from *Dune*. That design stayed very true to the description in Frank Herbert's novel and we thought it would be exciting to recreate it in a LEGO version. We received a cornucopia of reference material from Legendary and the film's award-winning production designer, Patrice Vermette, that showed details of how all the functions worked and how the model should look. The film version was built on set by Patrice and his team, including full-scale models with wings. It was our job to make them 'real'. And, of course, we had to include the wings' flapping and folding mechanisms. Those were some of the trickiest functions, in part because of how they needed to fit and unfold in so many ways around the model. For the landing legs' extend/retract function, we used specialised LEGO Technic elements to get them working exactly how we wanted. They are all linked and need to fit inside the tight spaces in the body of the vehicle. We hope you enjoy building (and flying) your own ornithopter!"

*Mike Psiaki,  
LEGO® Icons Design Master*

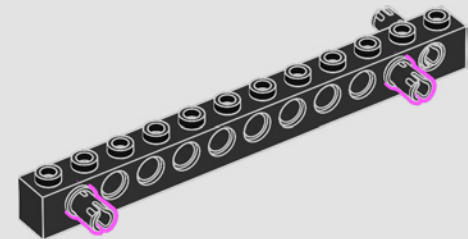


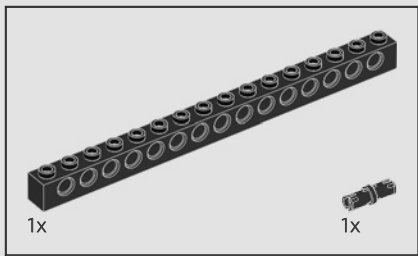


1

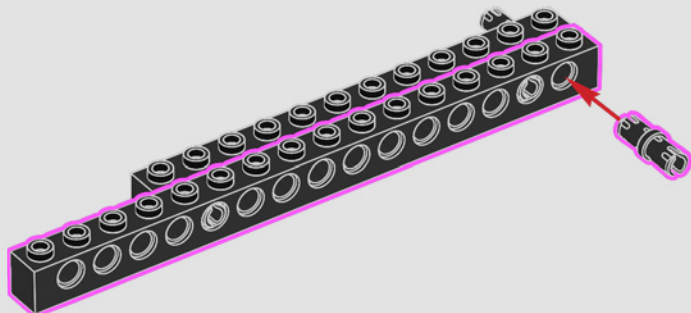


2

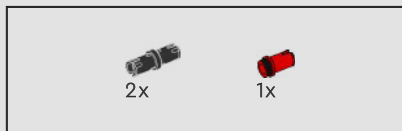
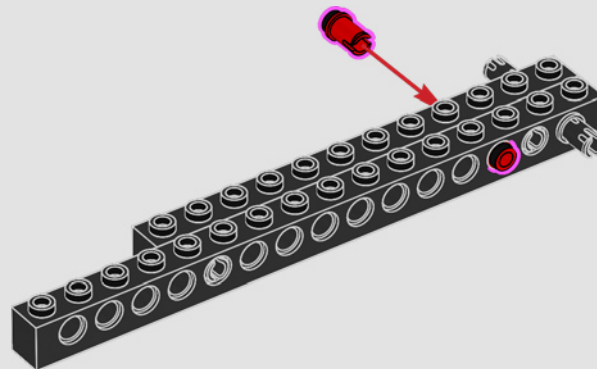




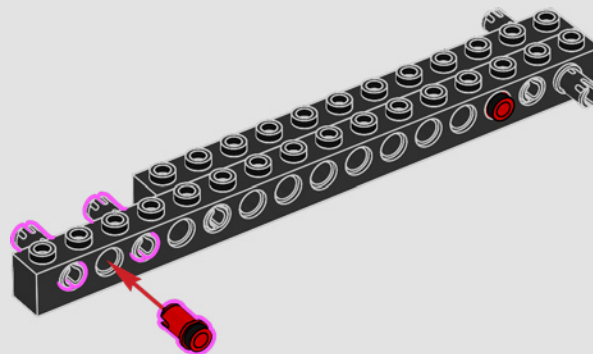
3

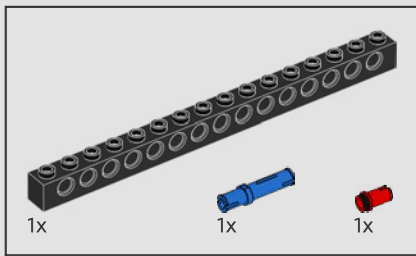


4

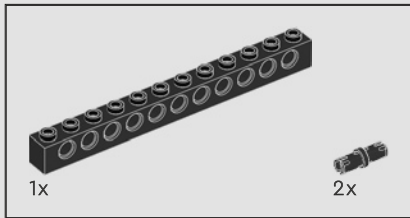
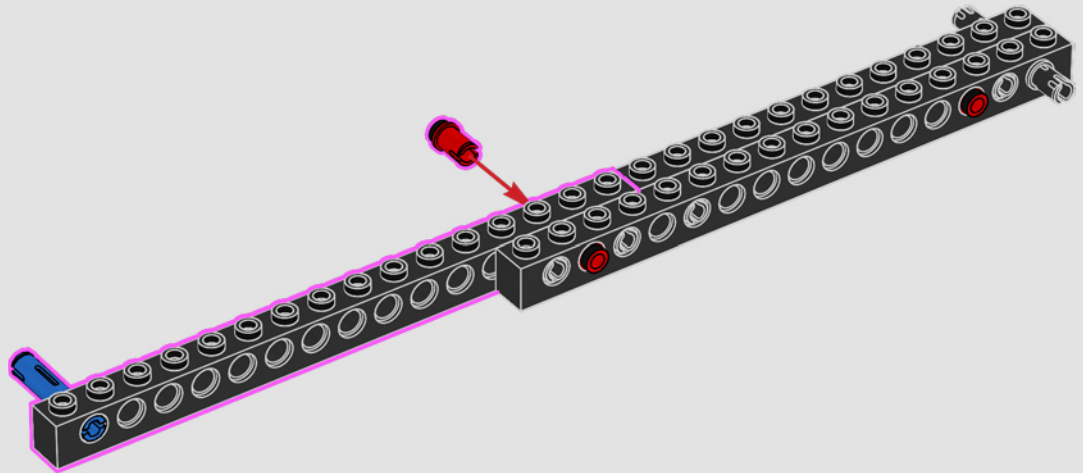


5

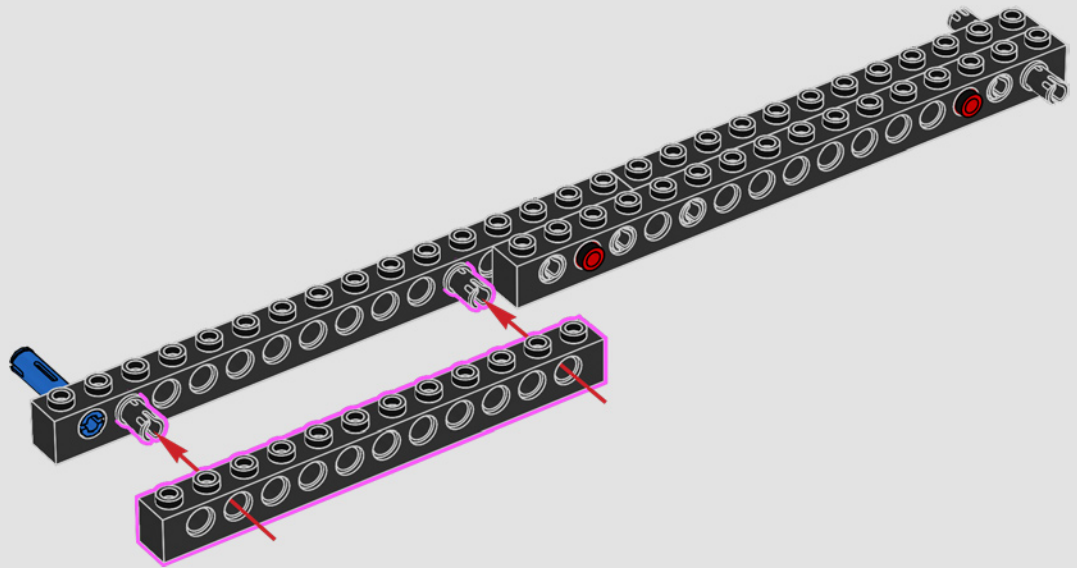


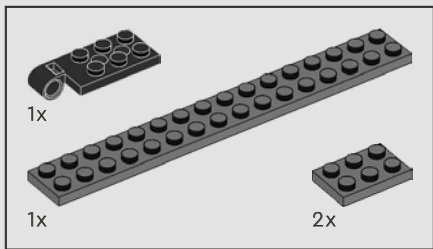


6

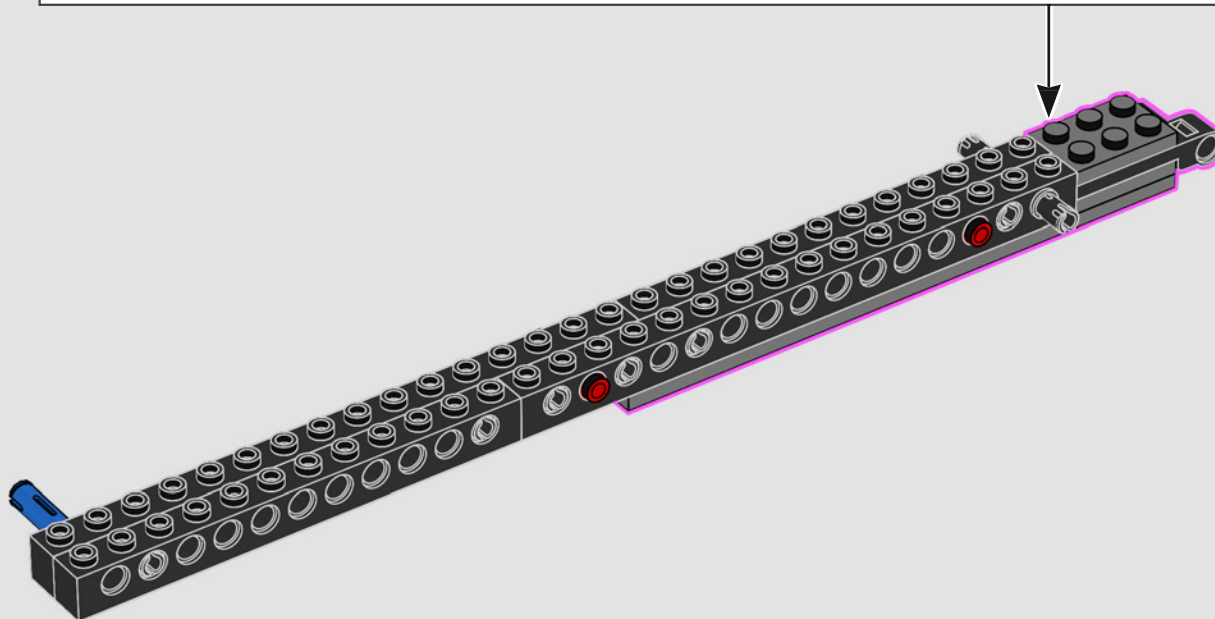
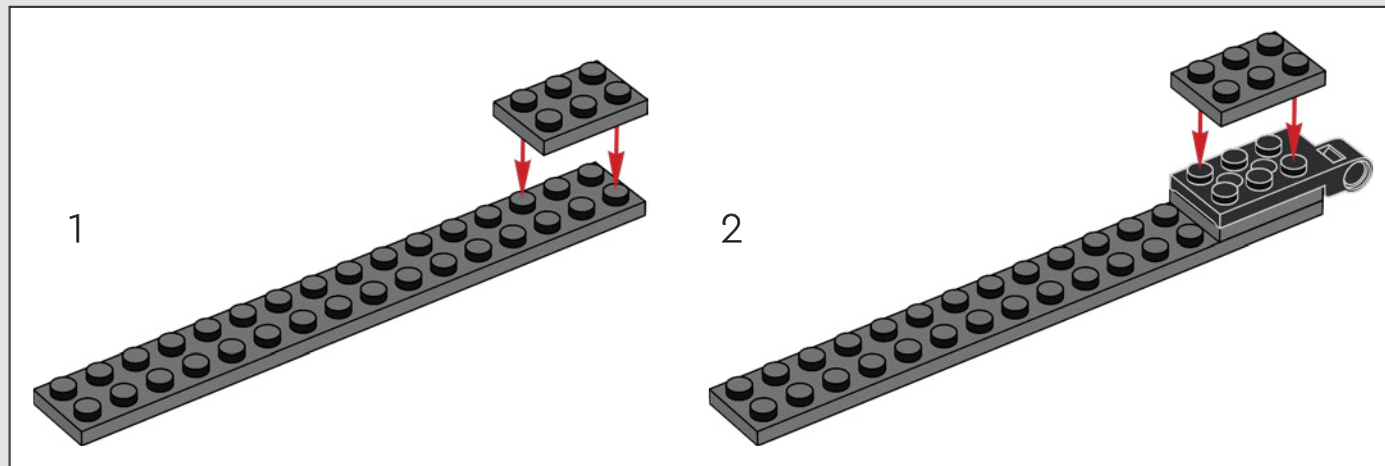


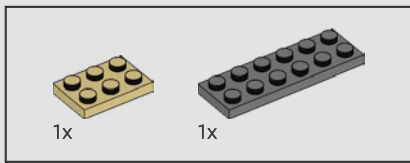
7



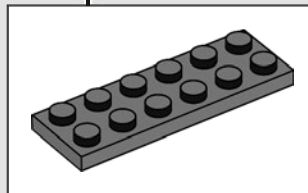
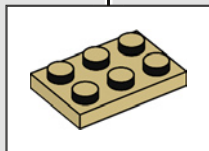
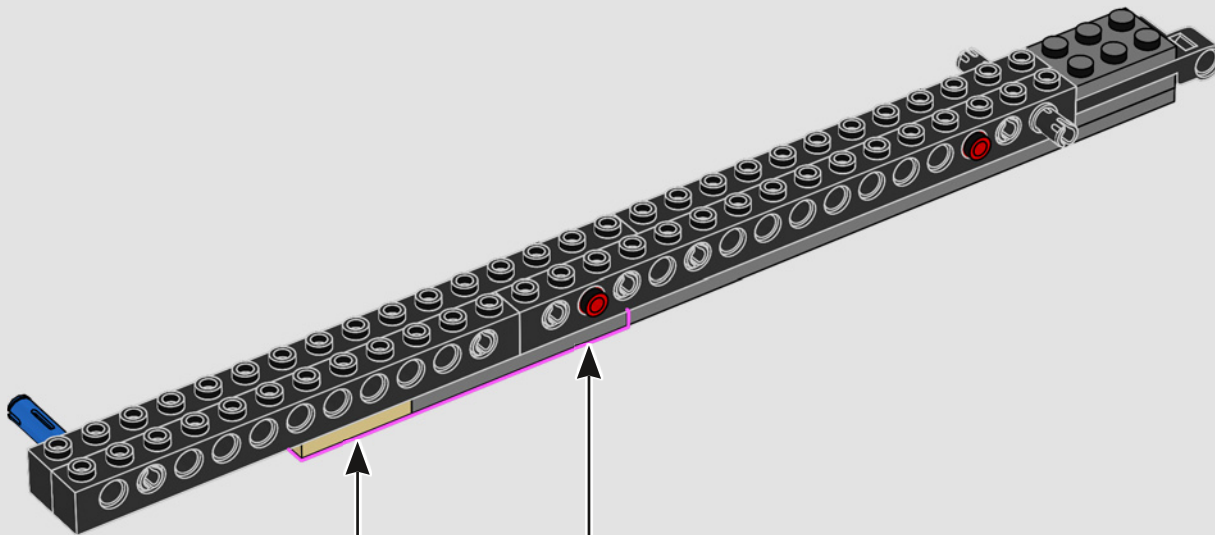


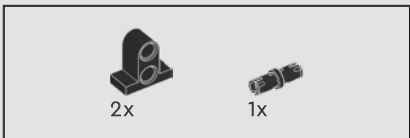
8



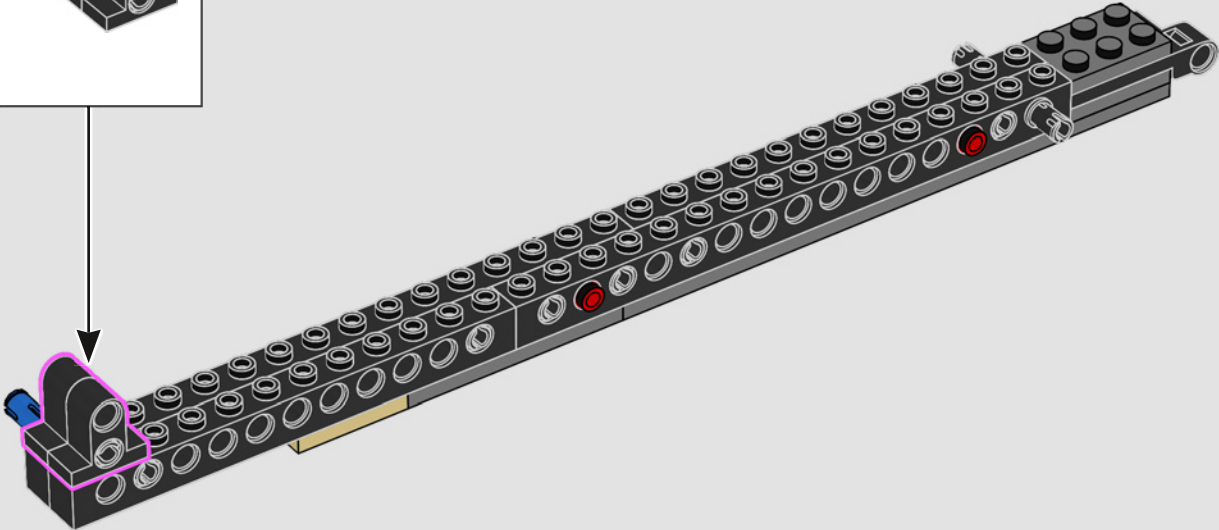
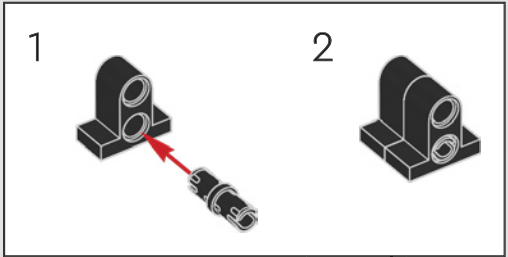


9

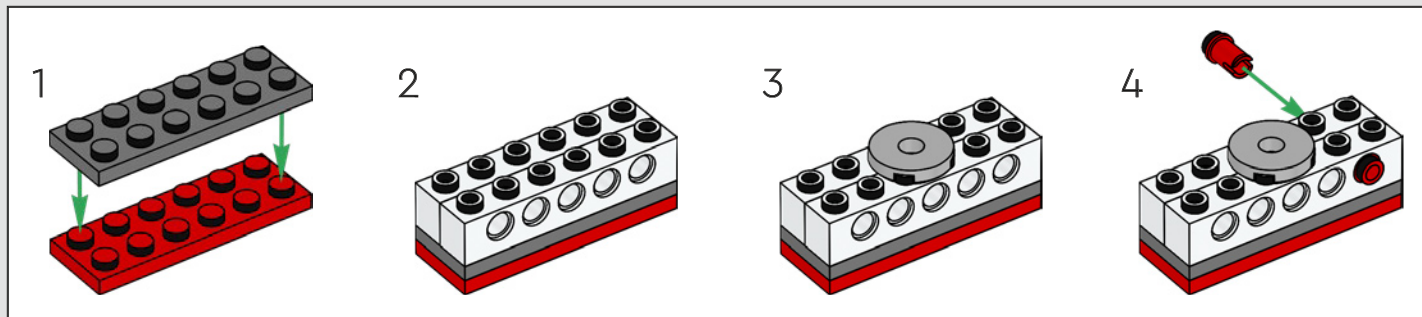
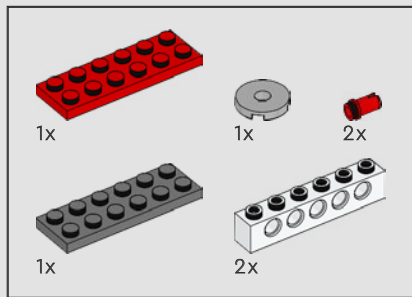




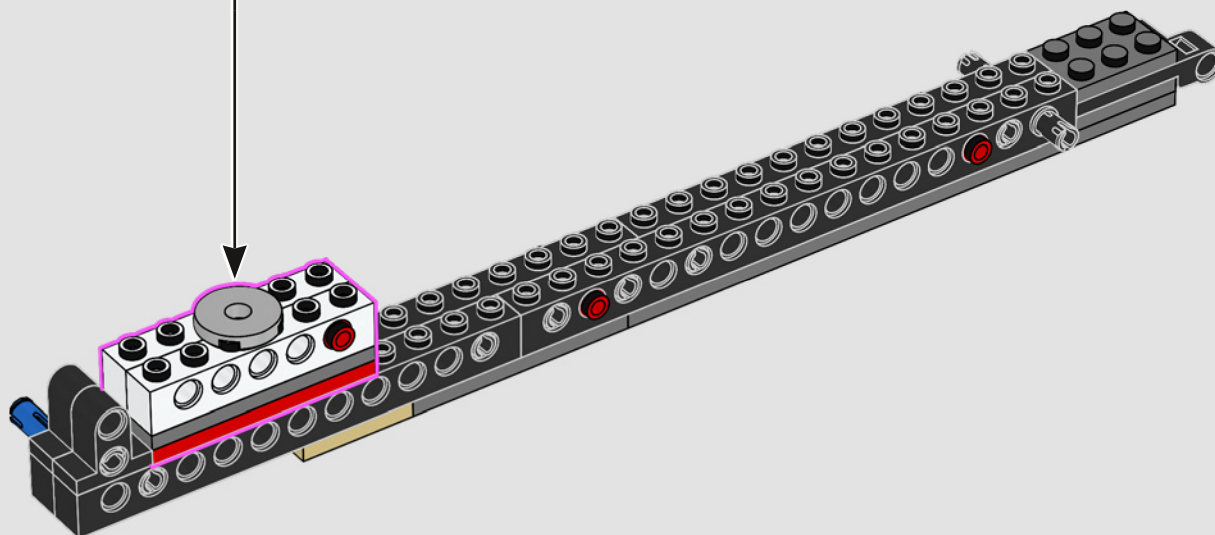
10

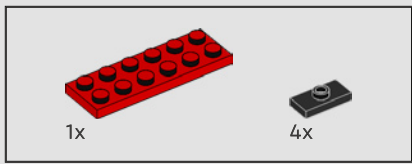




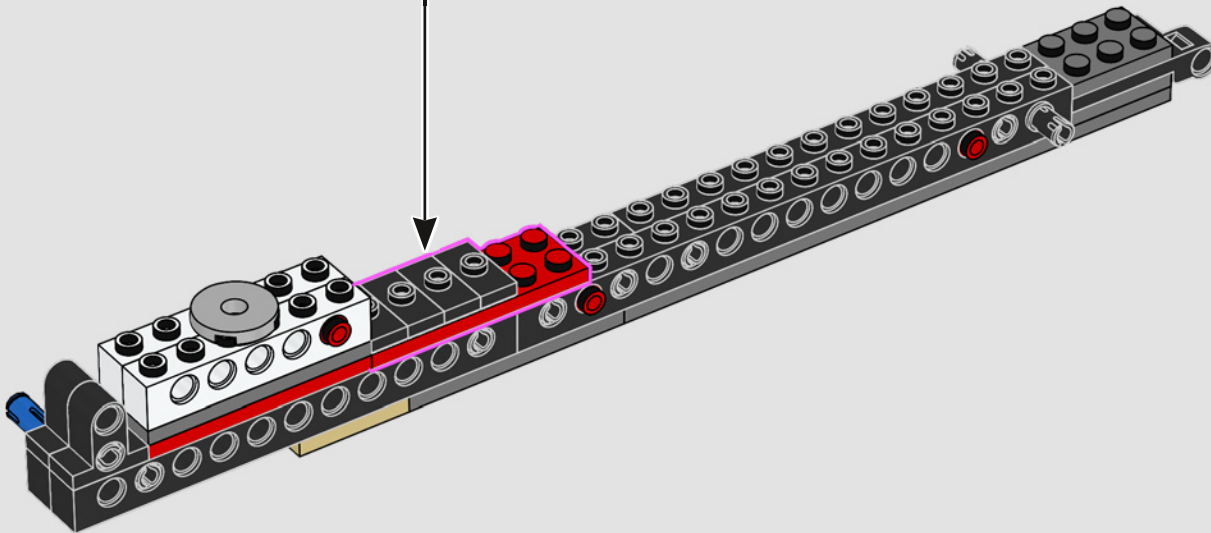
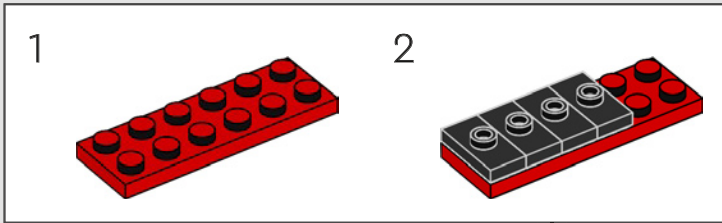


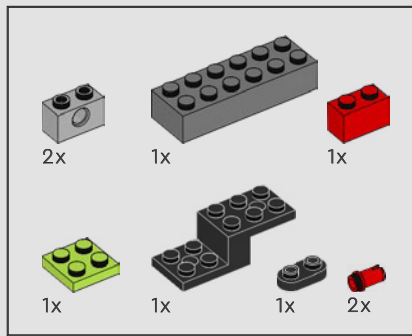
11



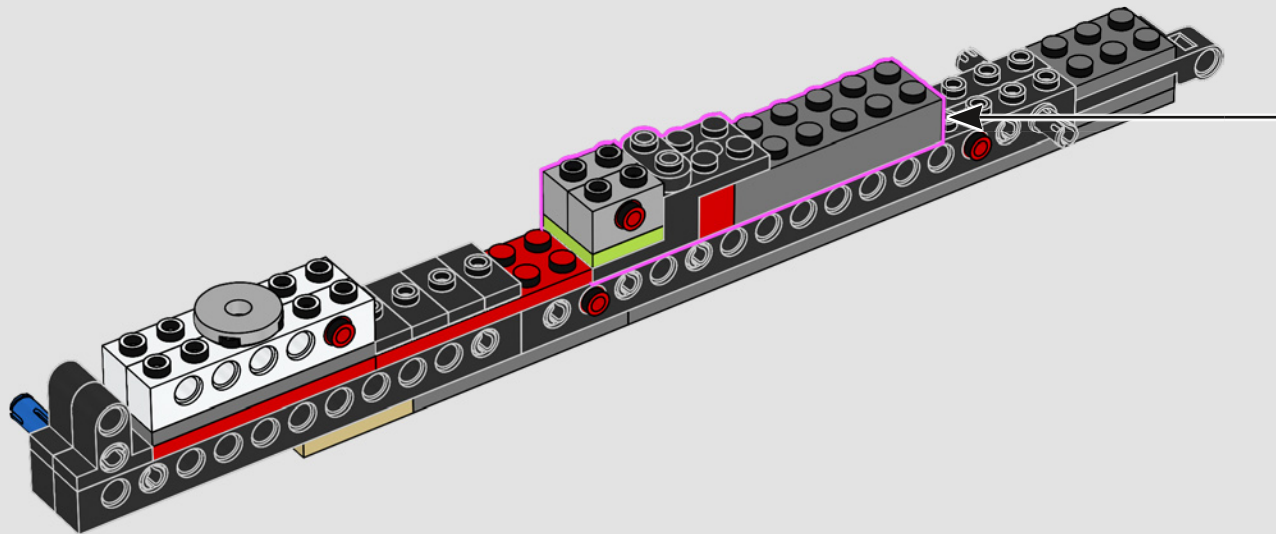
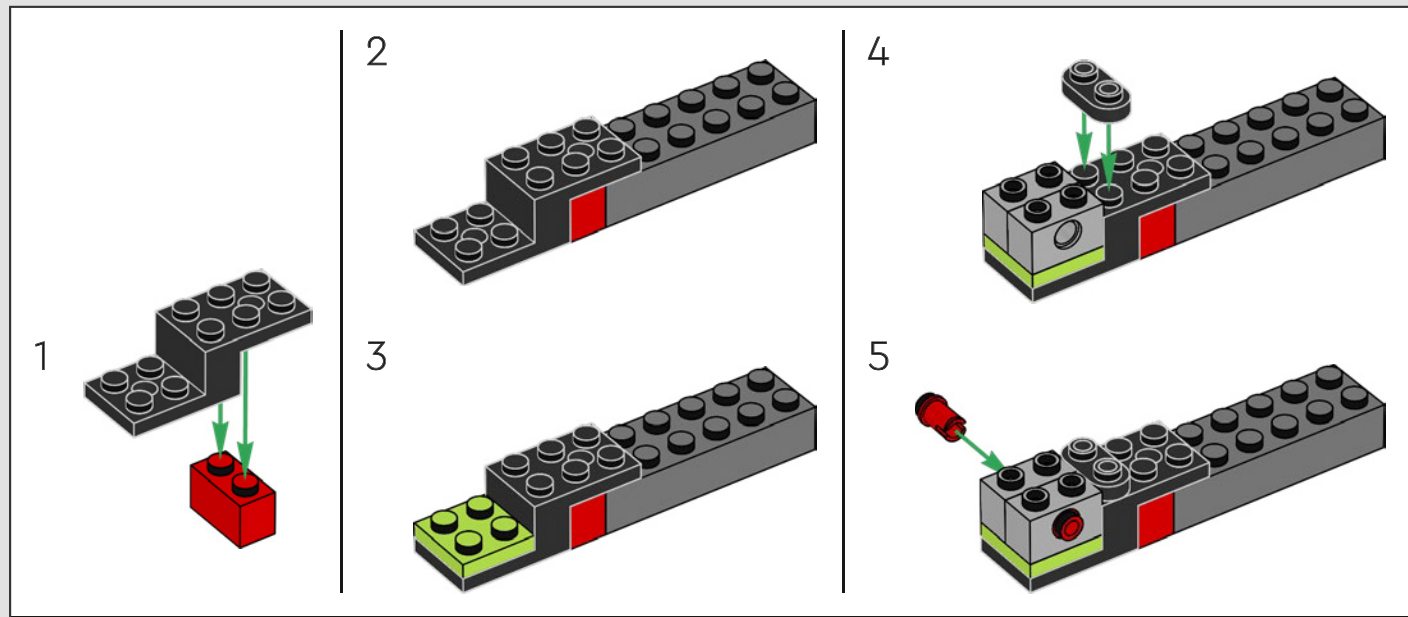


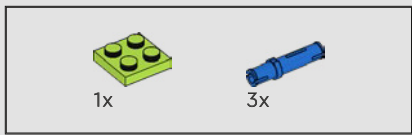
12



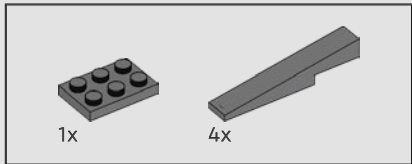
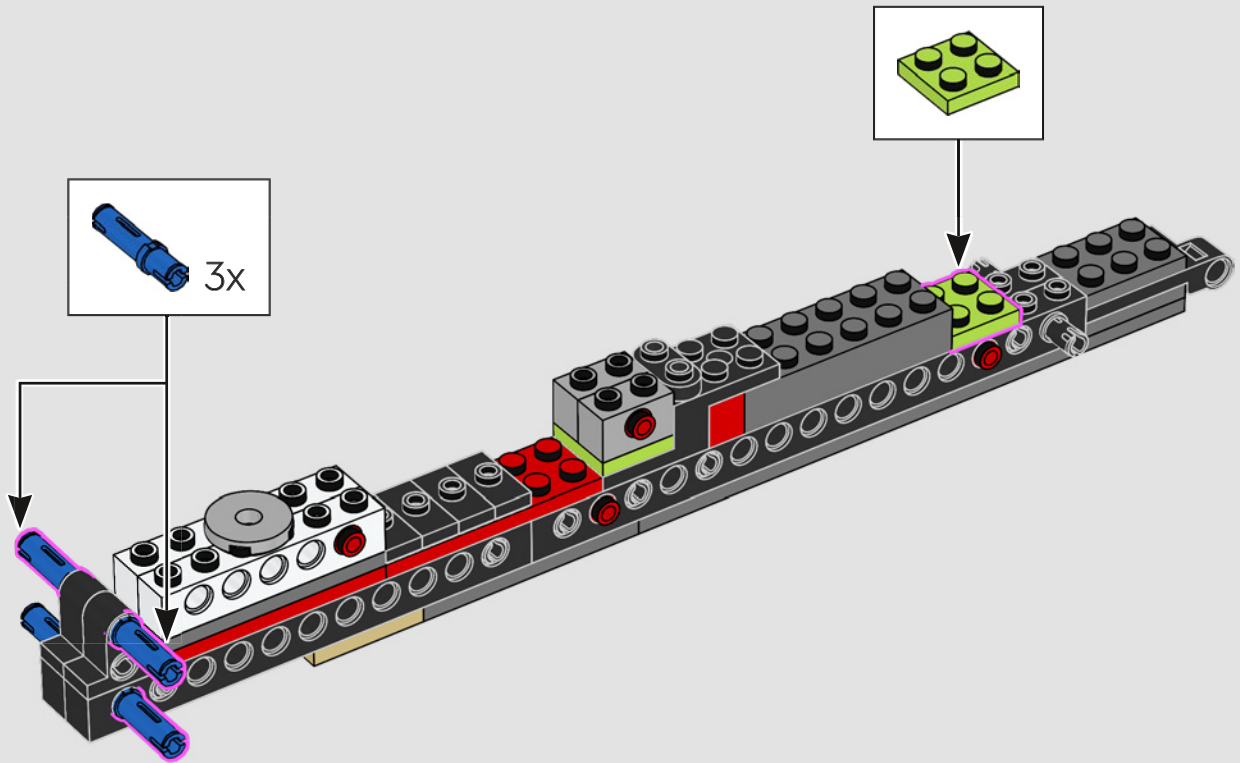


13

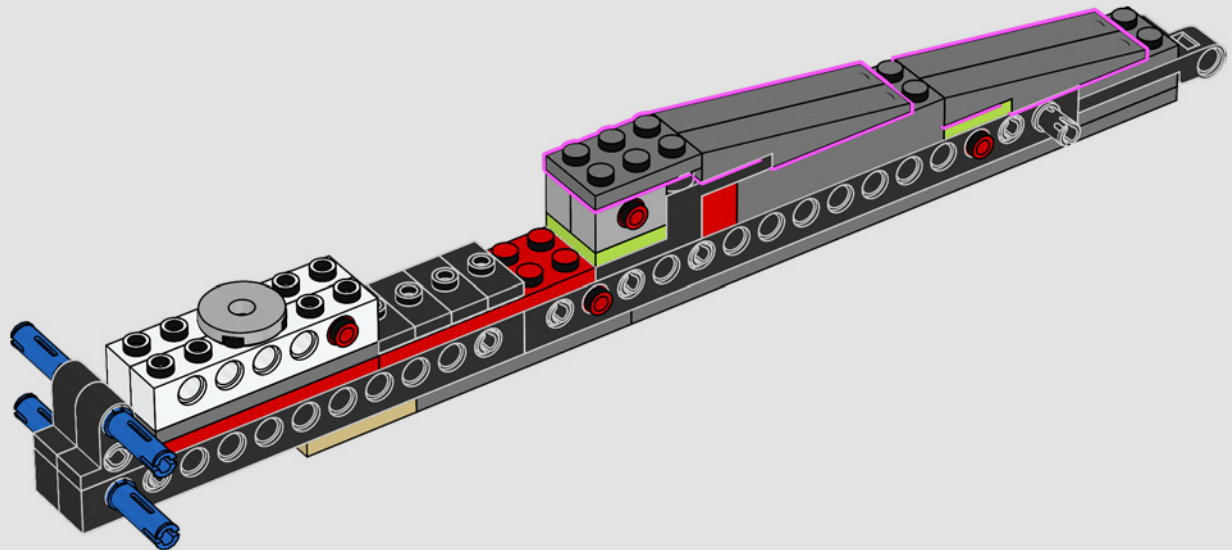


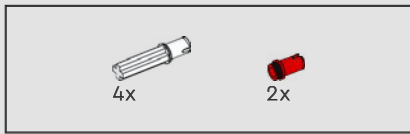


14

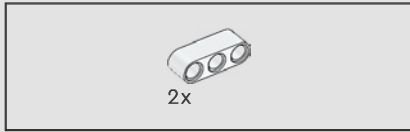
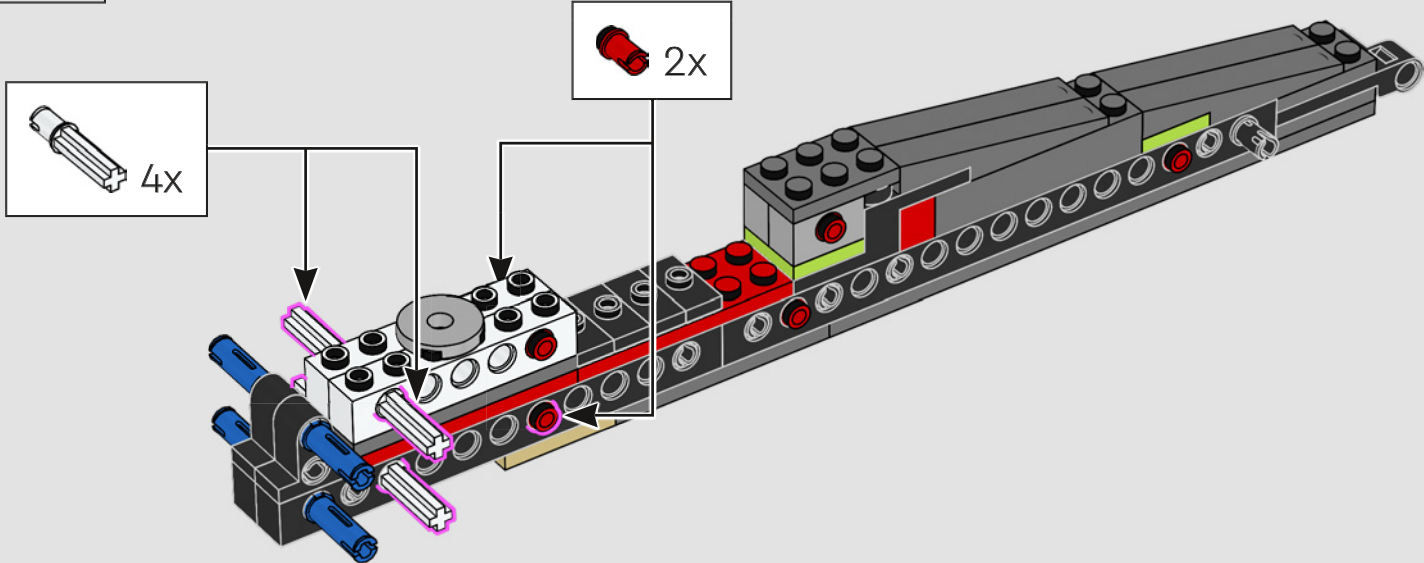


15

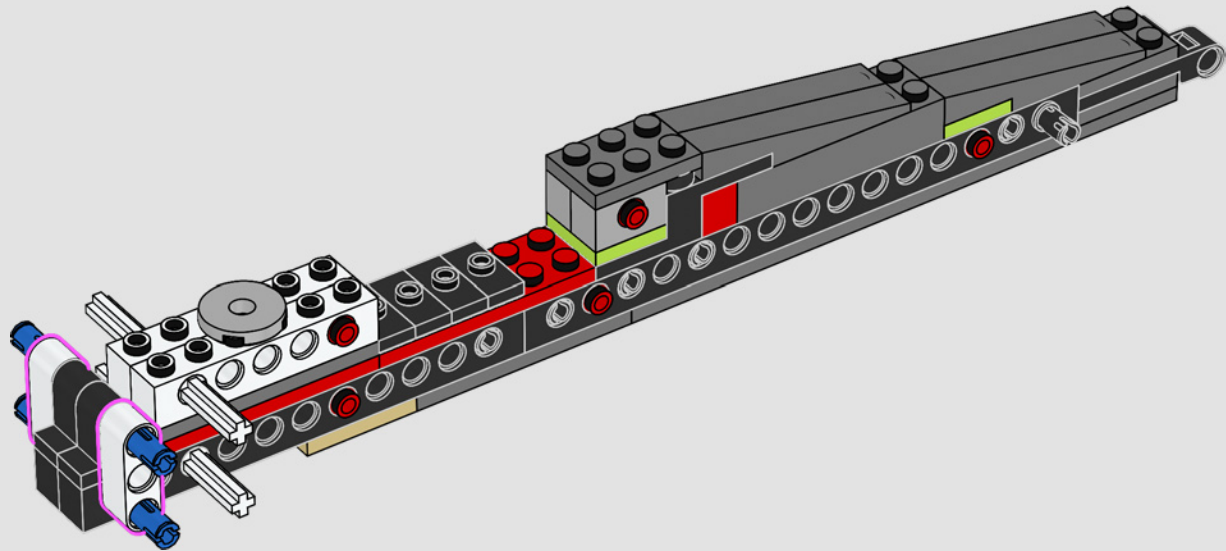


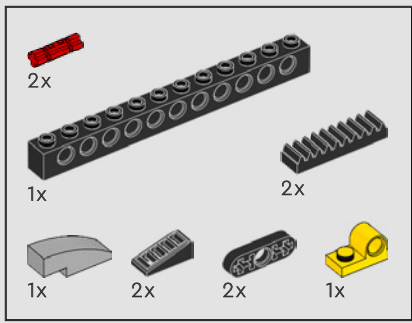


16



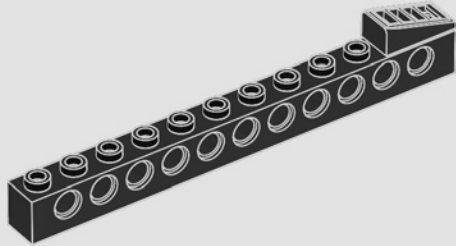
17



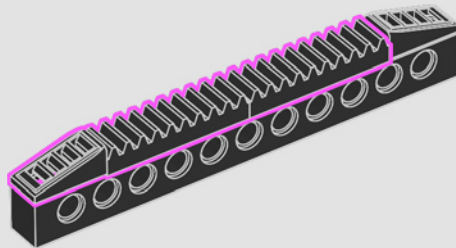


18

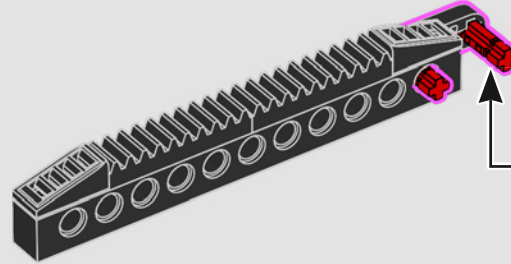
1



2



3



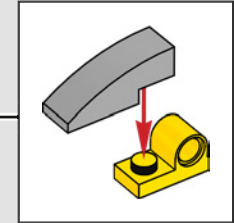
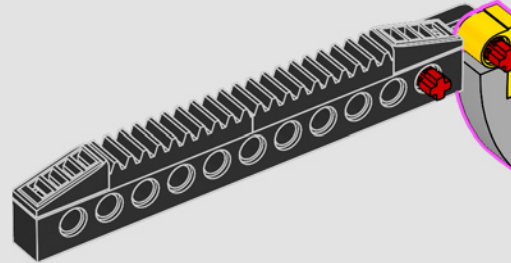
1



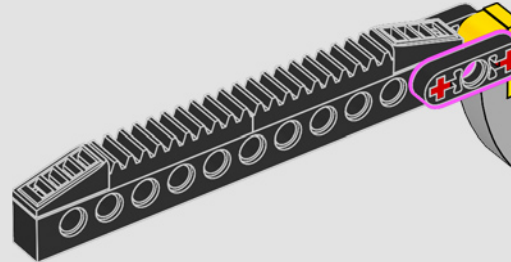
2



4

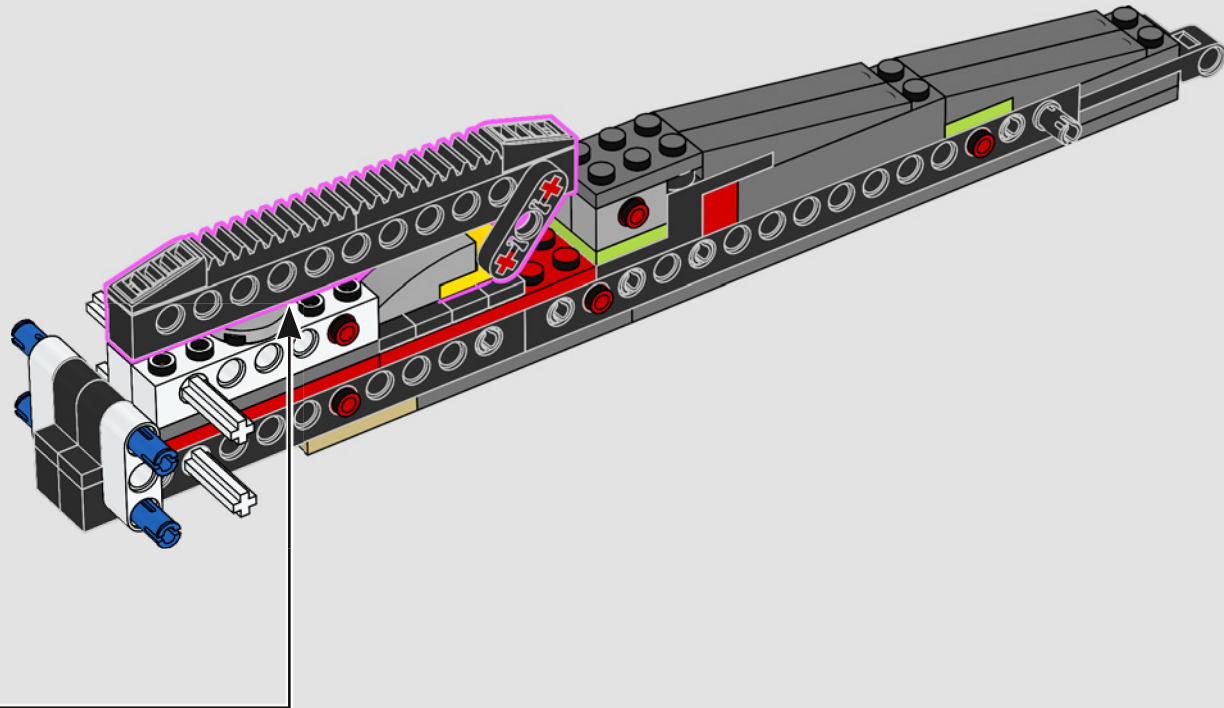


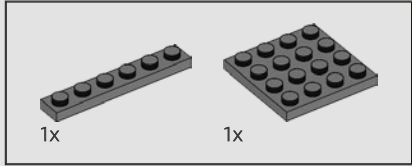
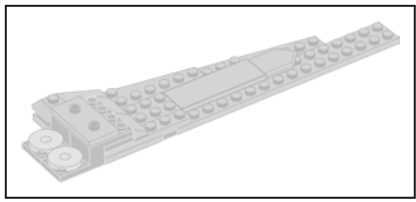
5



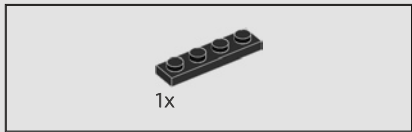
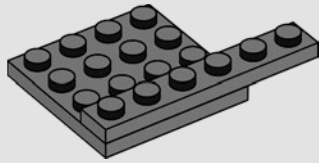


This part will form the lever to make the wings flap.

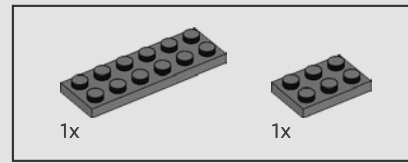
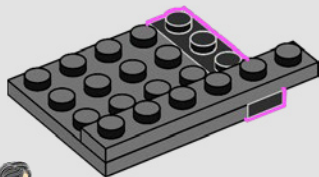




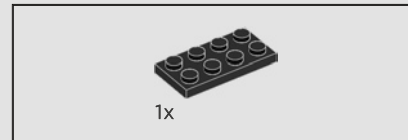
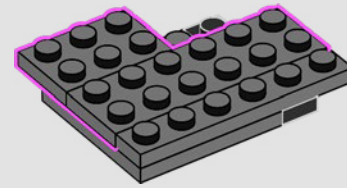
19



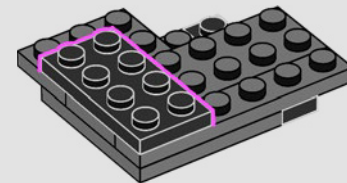
20



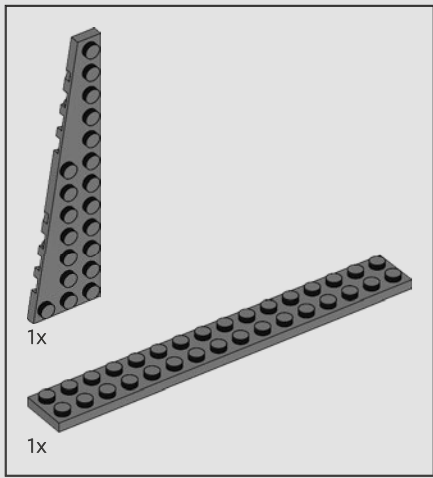
21



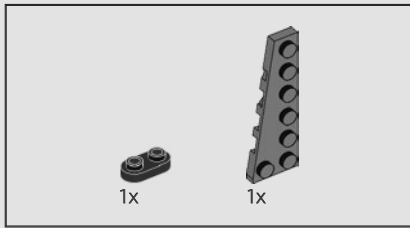
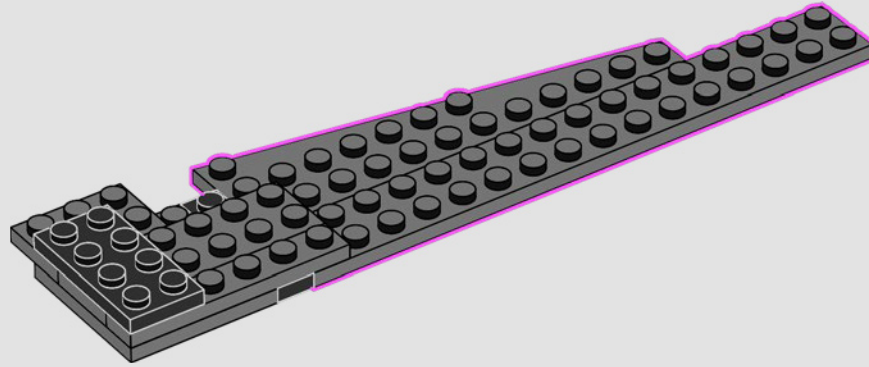
22



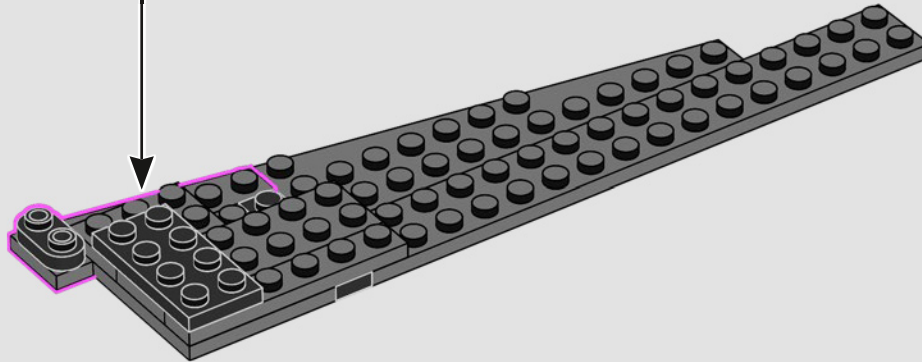
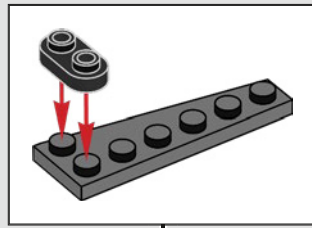


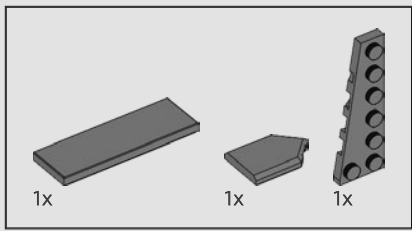


23

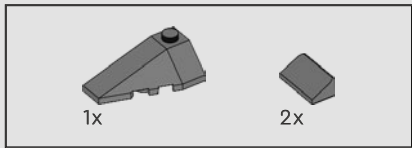
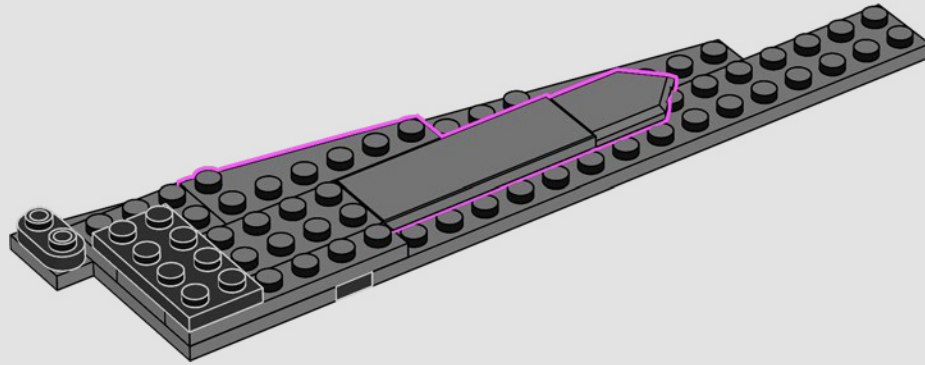


24

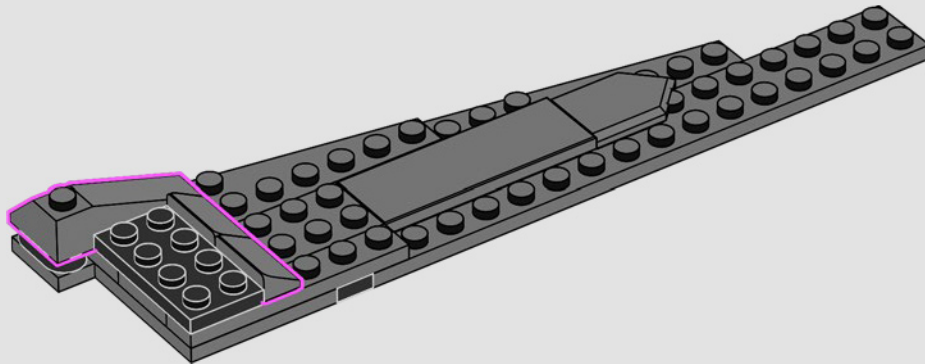


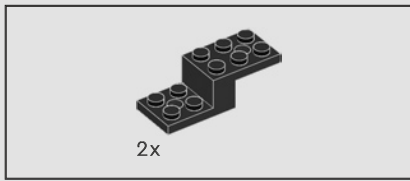


25

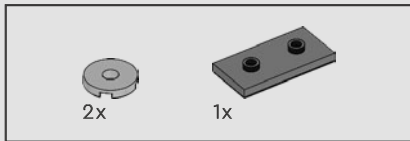
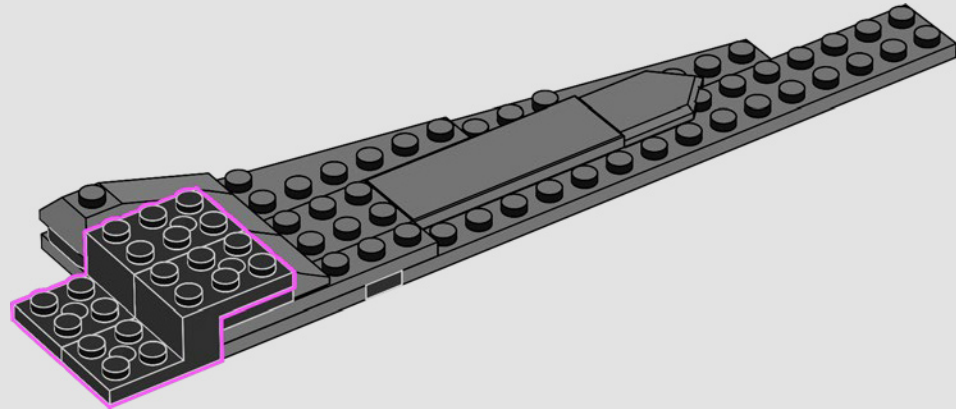


26

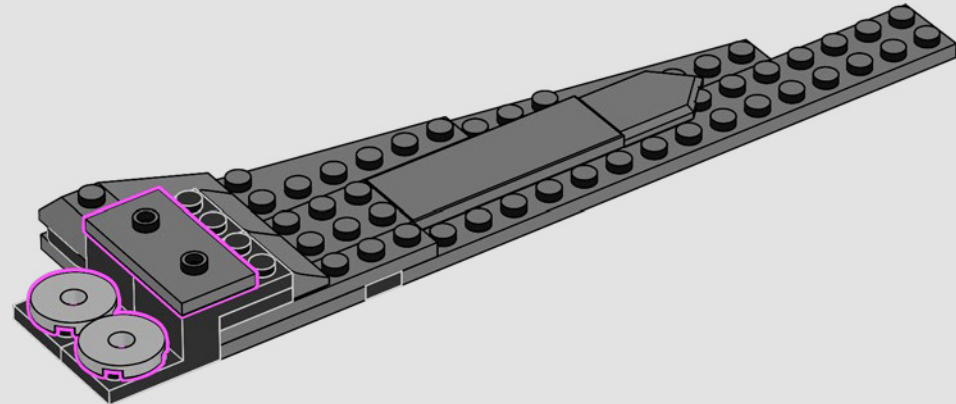




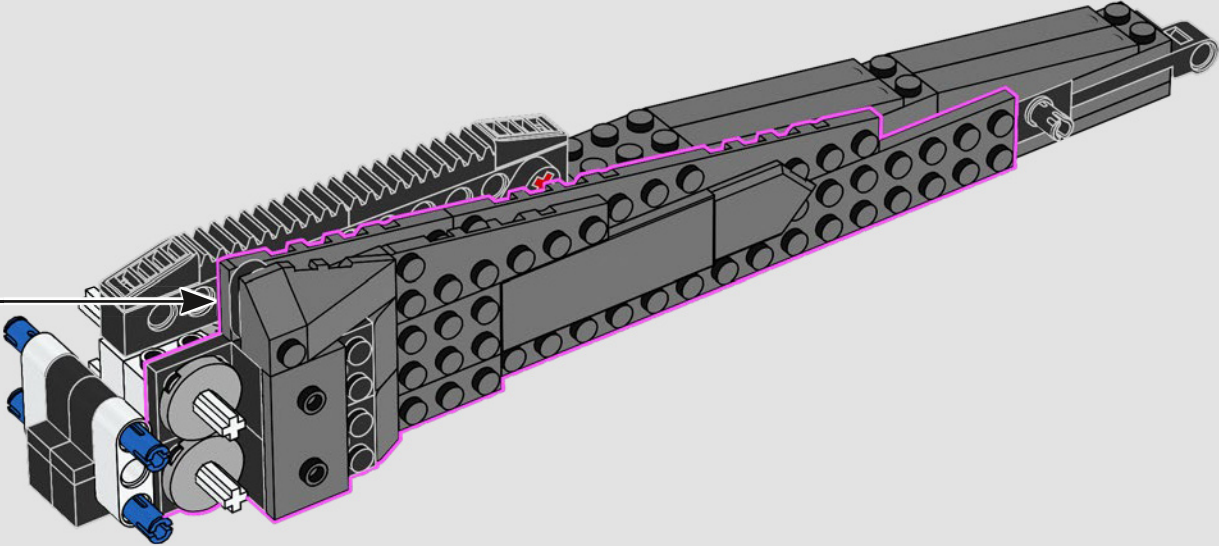
27

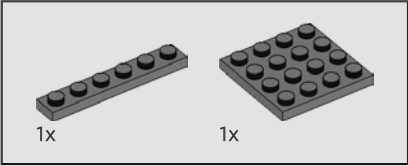
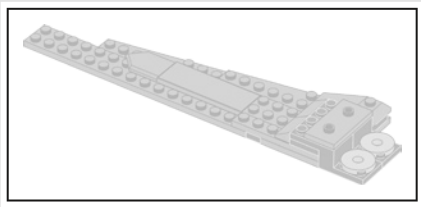


28

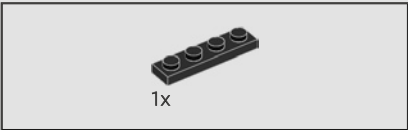
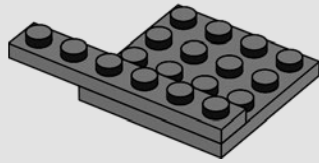


29

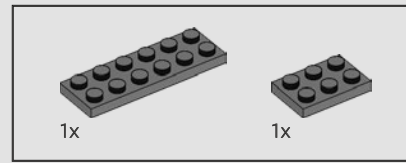
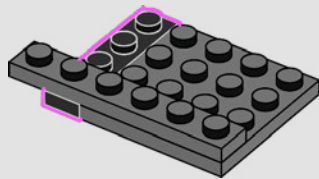




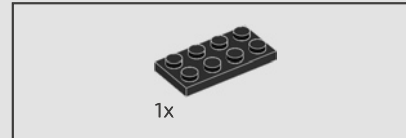
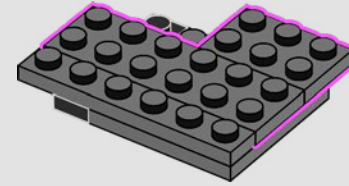
30



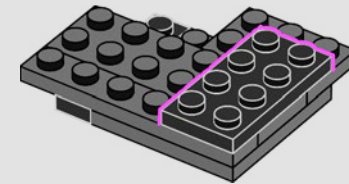
31

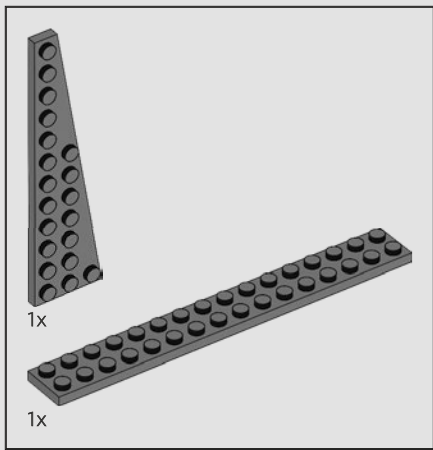


32

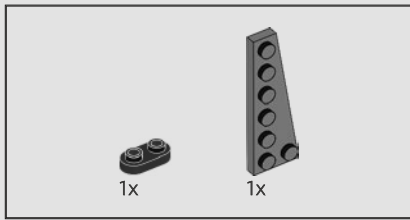
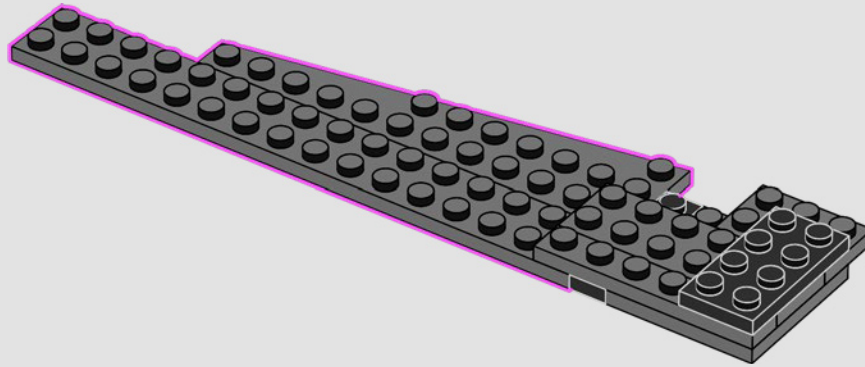


33

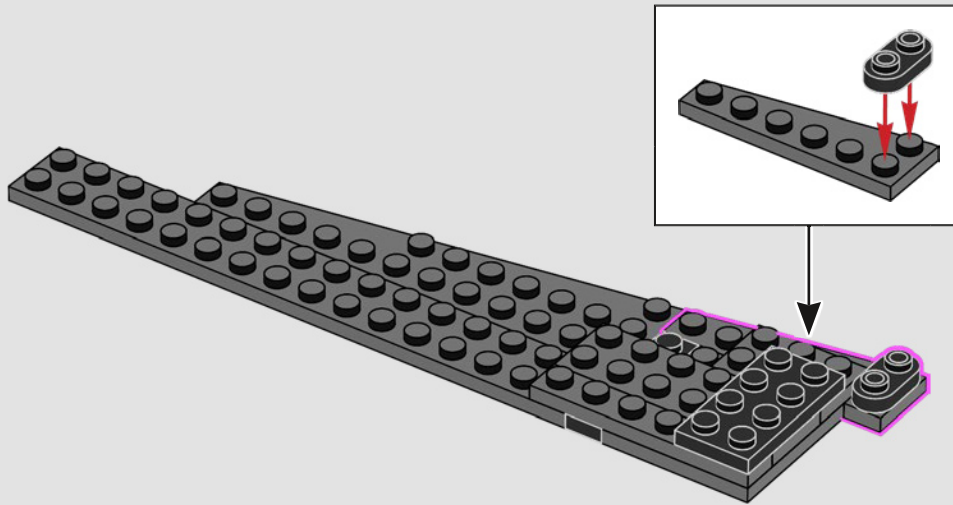


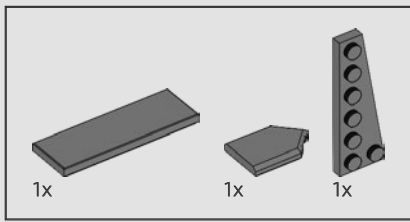


34

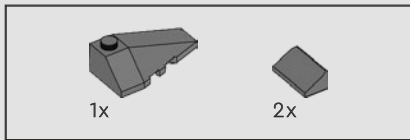
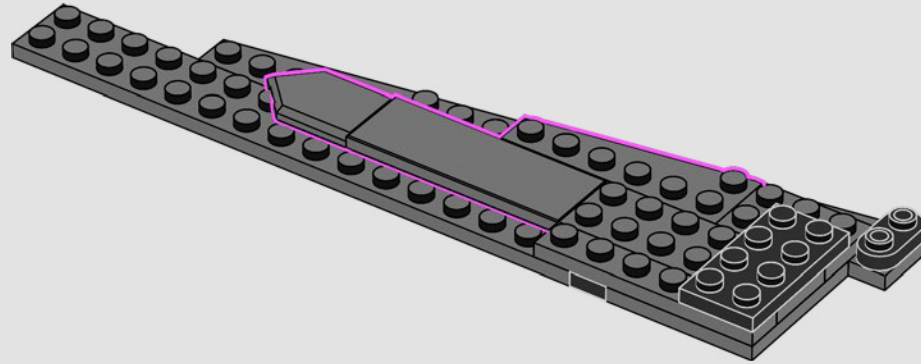


35

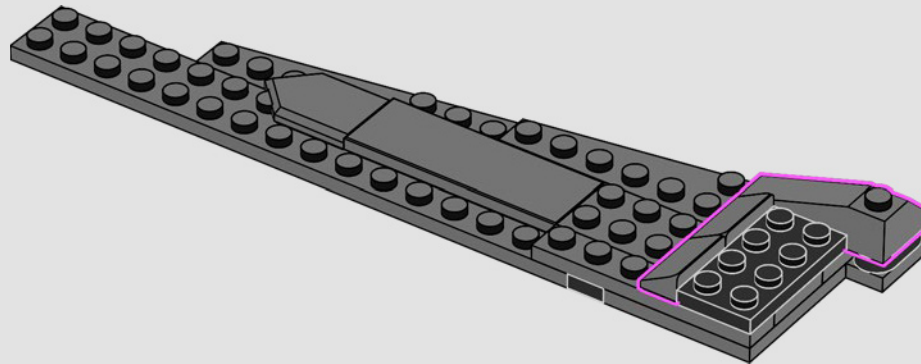


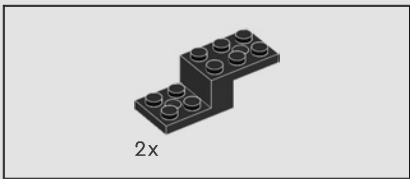


36

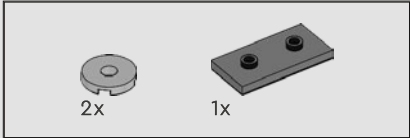
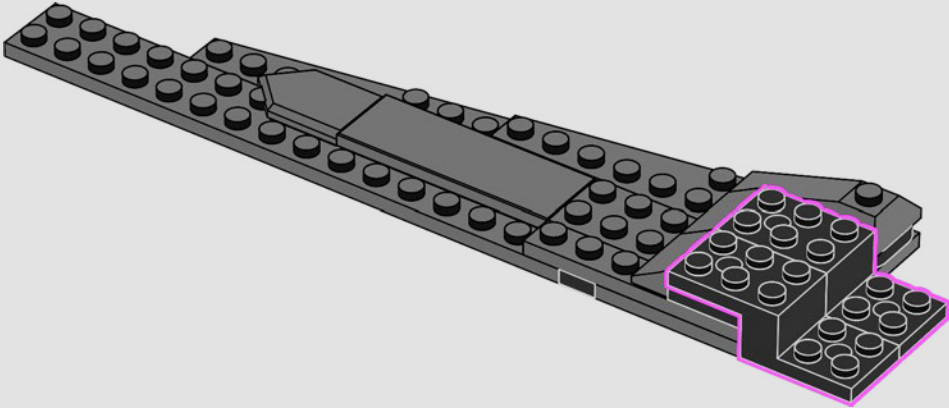


37

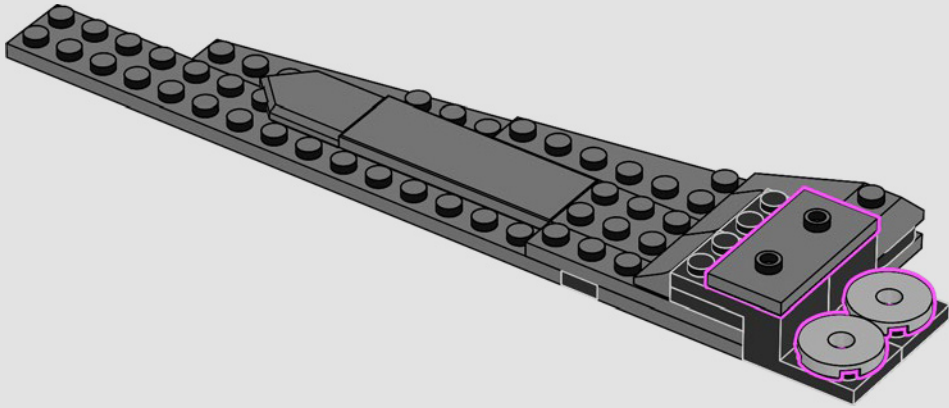




38



39

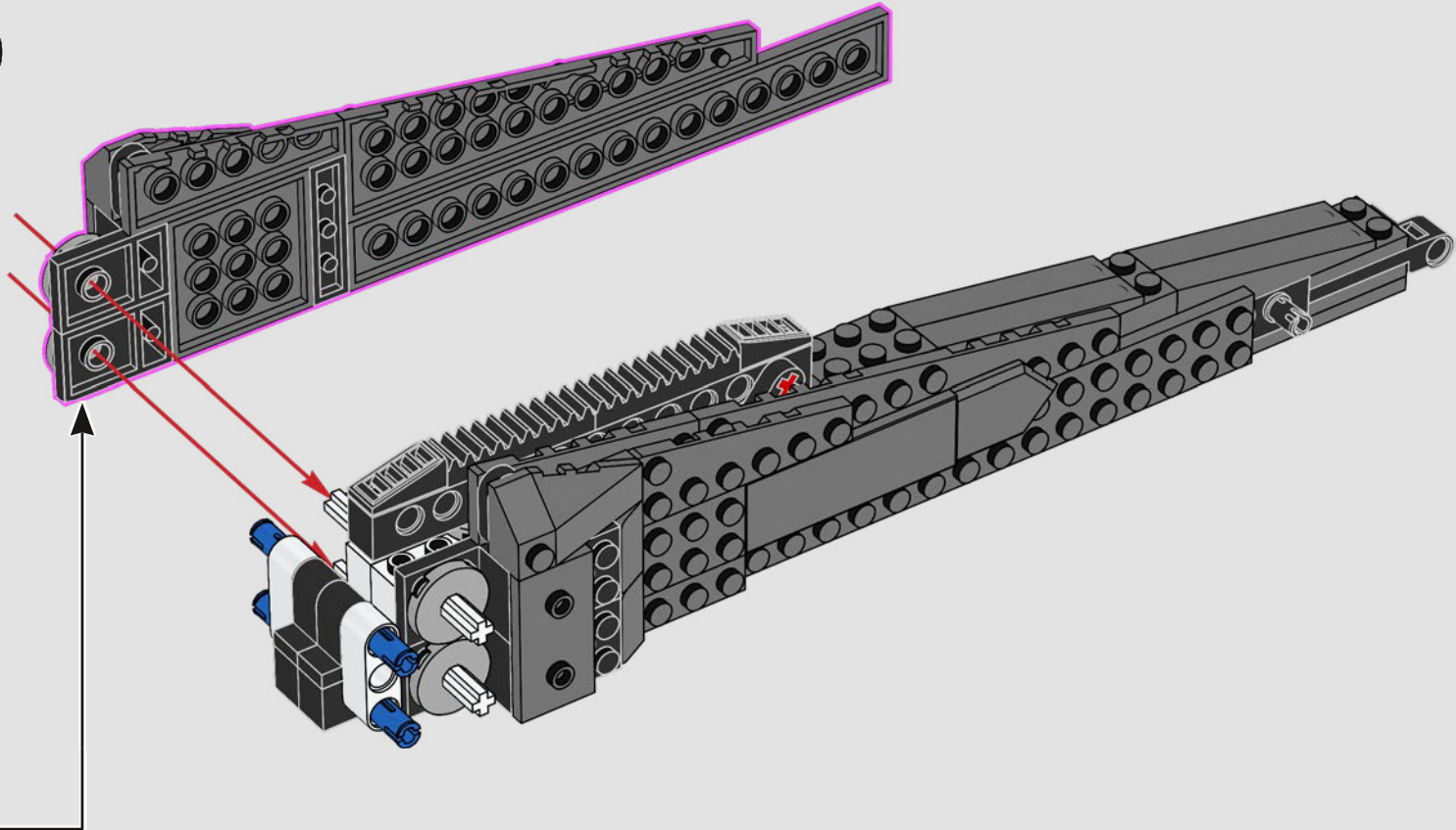


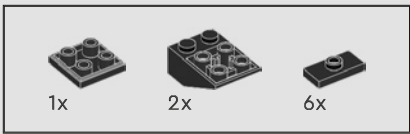




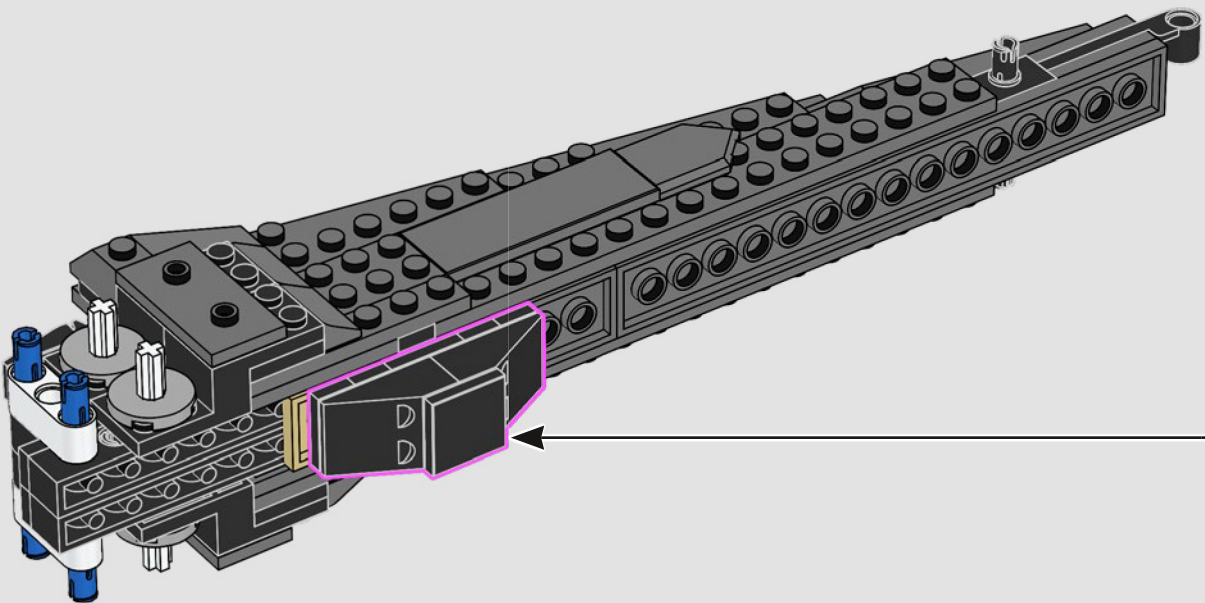
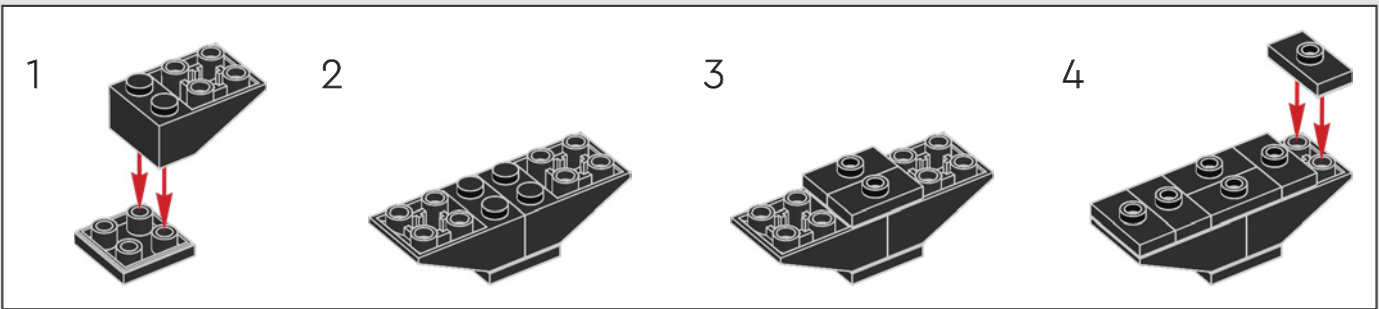
The tail will form the handle to hold the vehicle,  
so it's important that it's super strong!

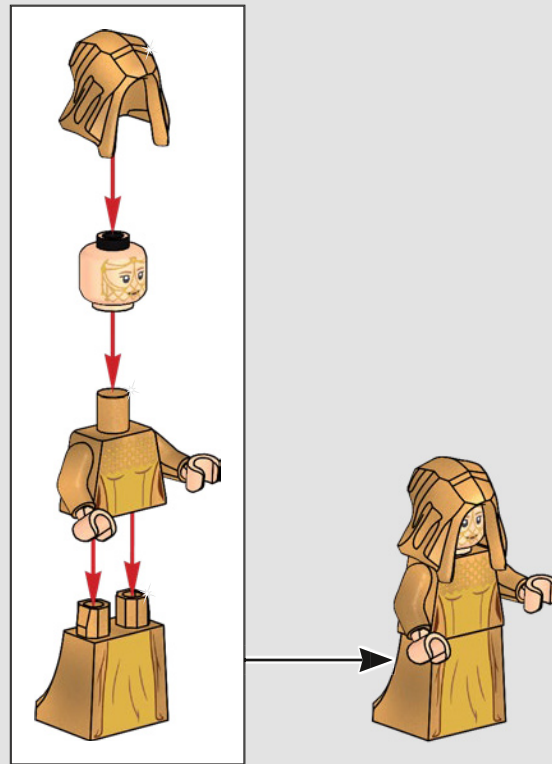
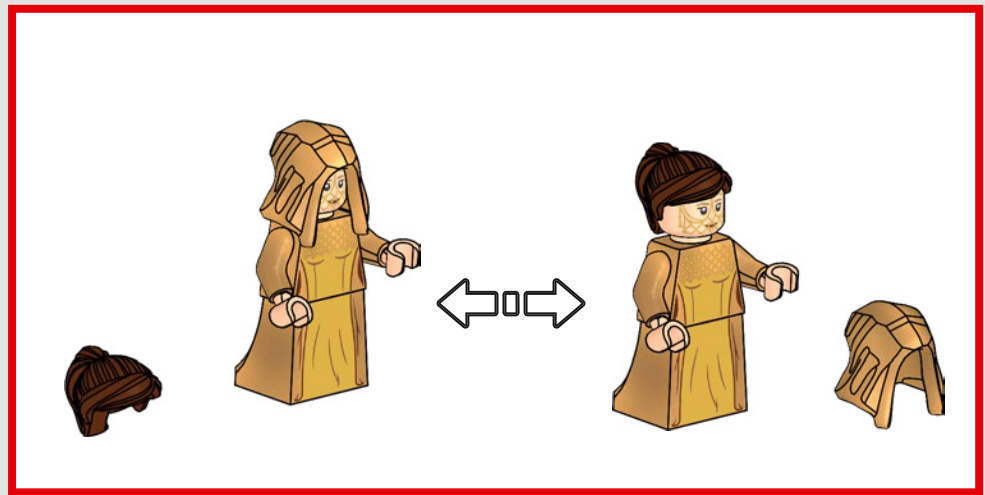
40

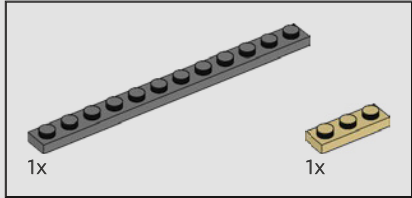
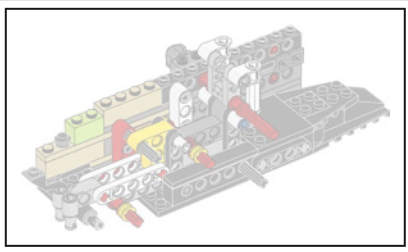




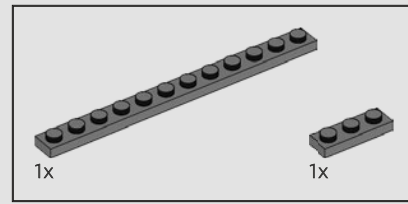
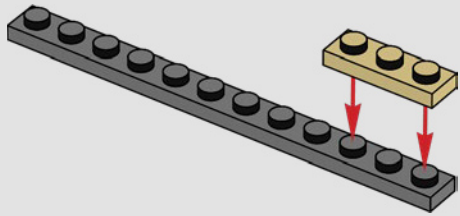
41



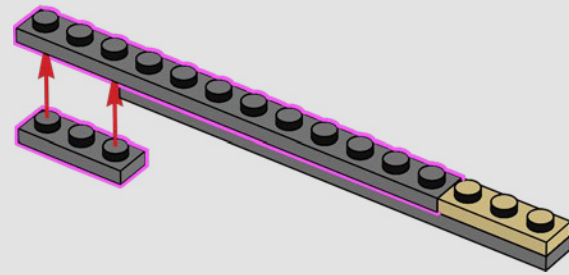


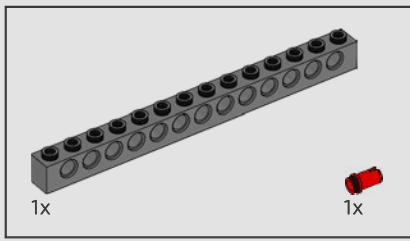


42

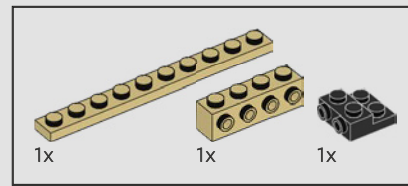
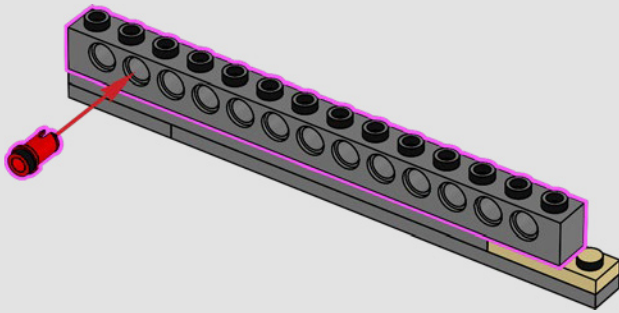


43

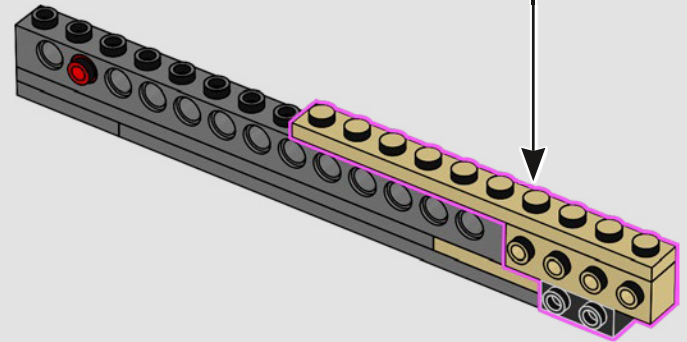
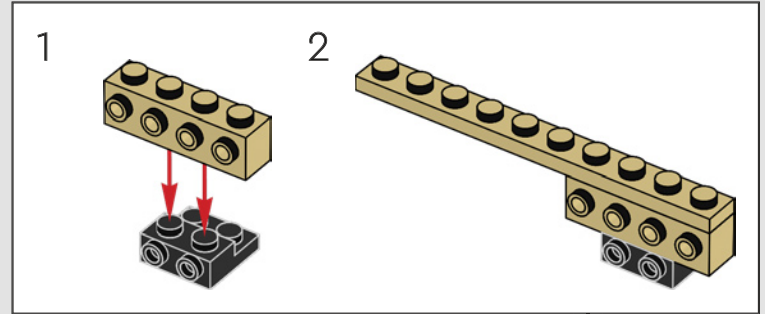




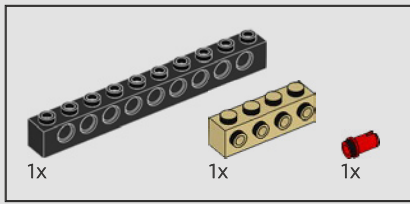
44



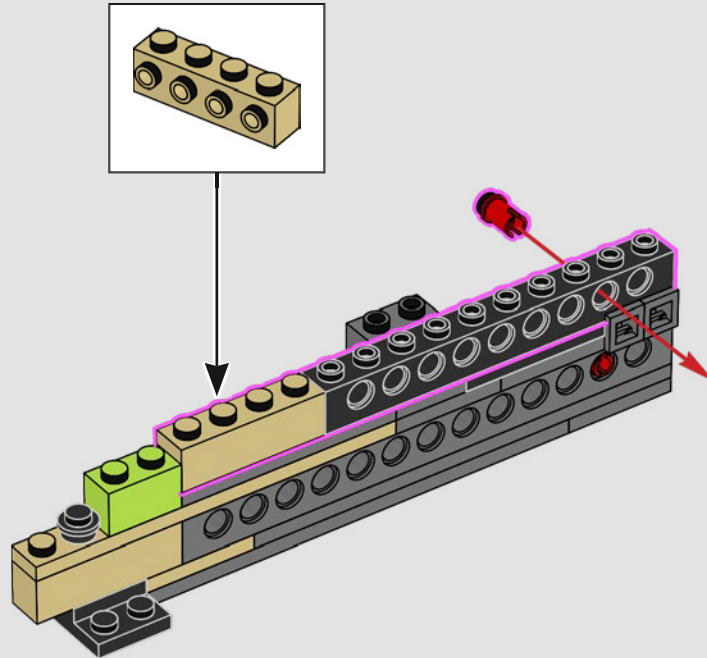
45

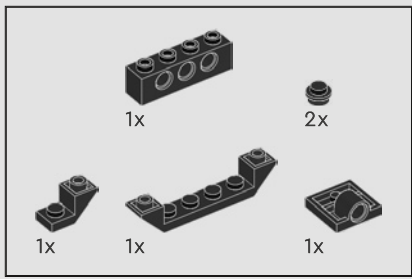






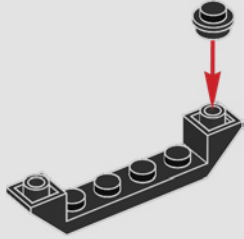
48



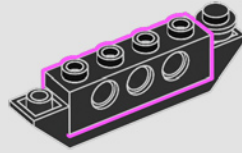


49

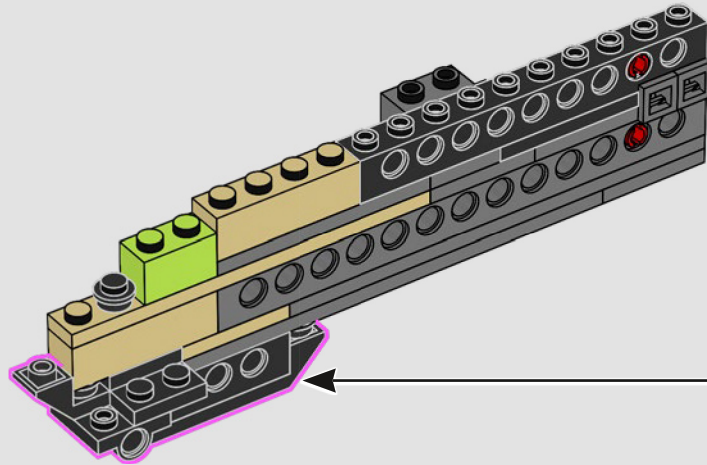
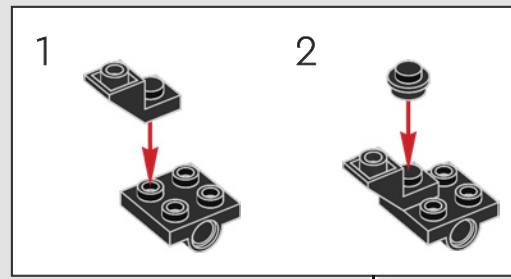
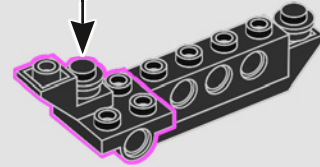
1



2



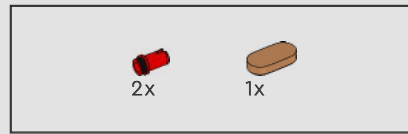
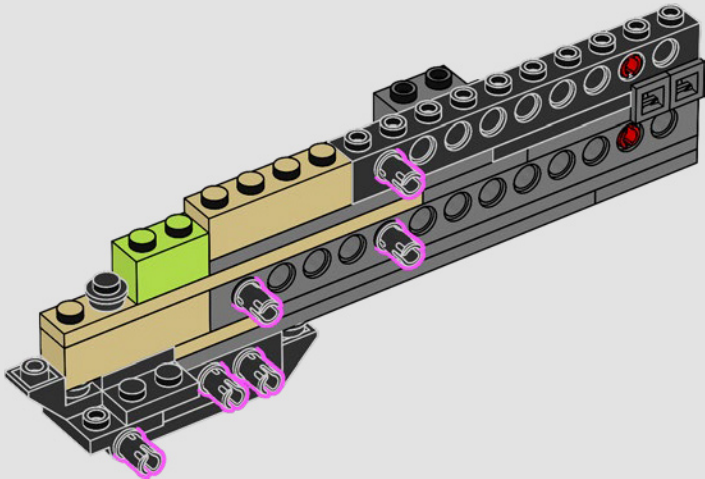
3



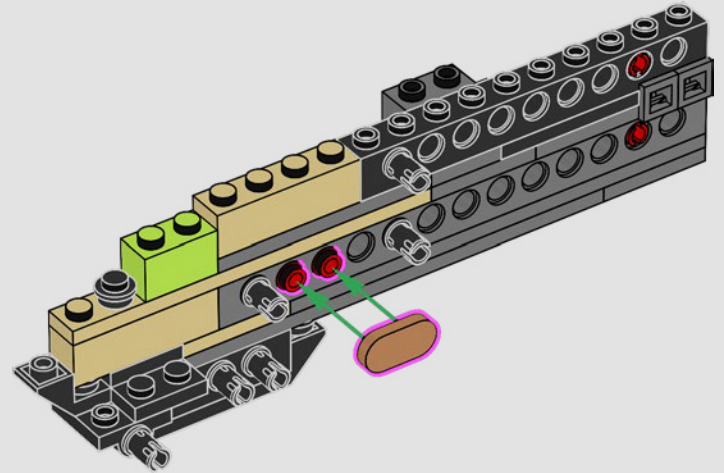


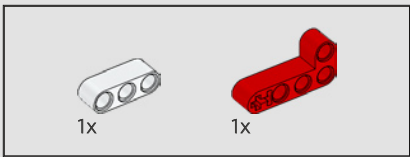


50

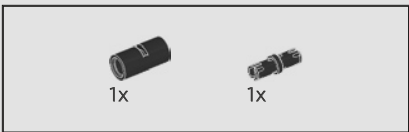
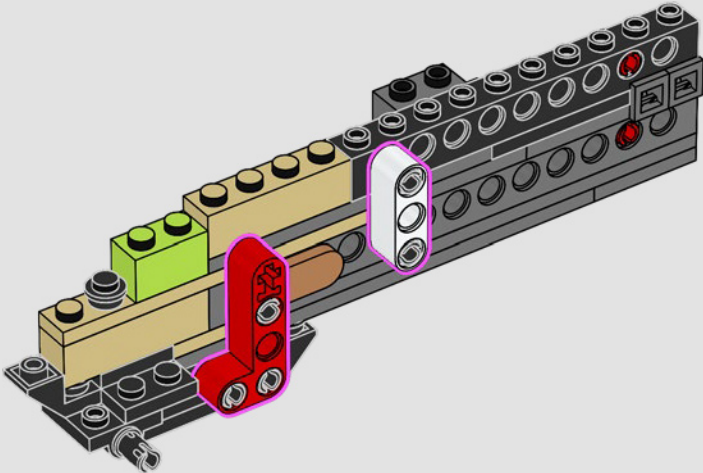


51

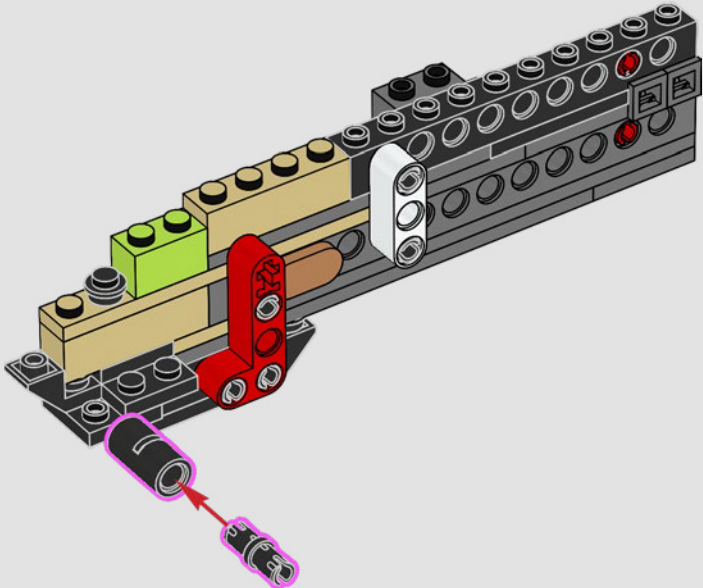


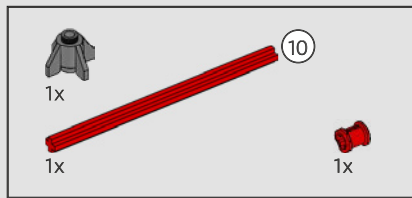


52

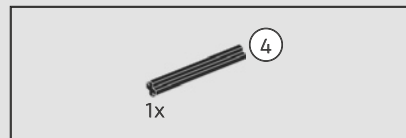
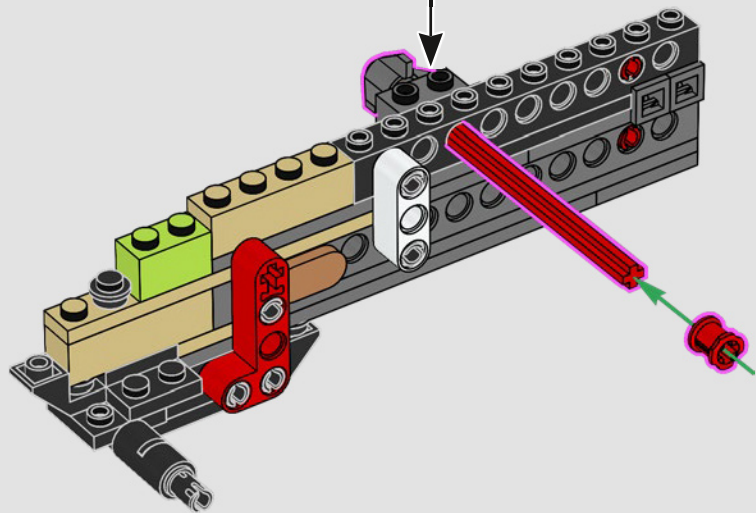
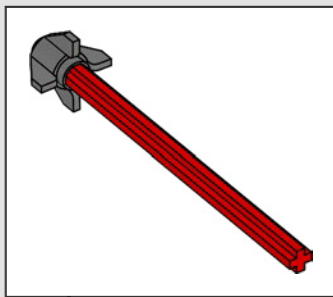


53

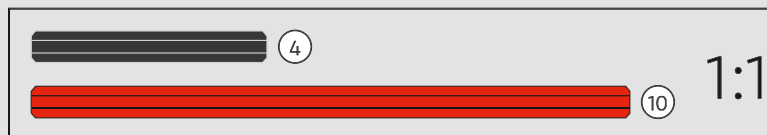
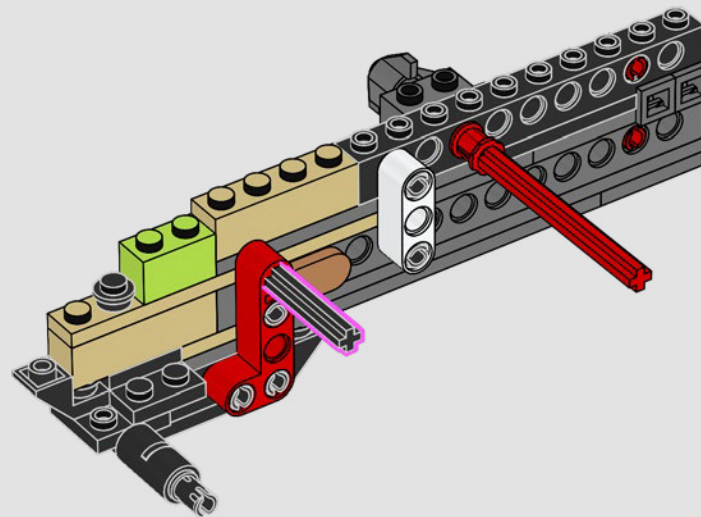


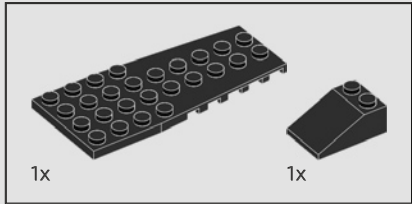
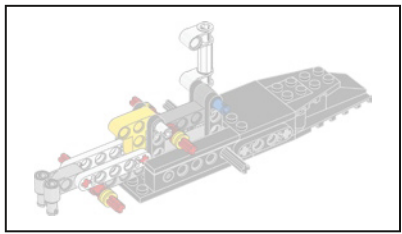


54

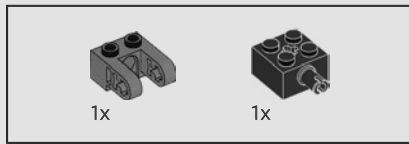
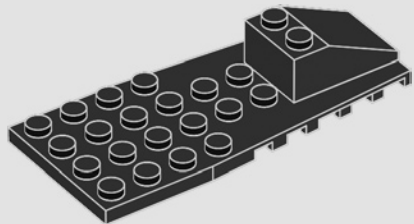


55

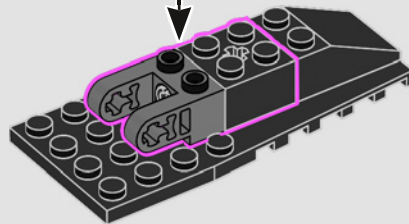
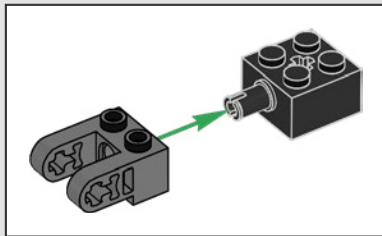




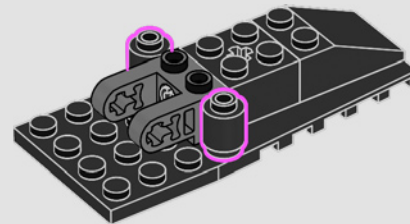
56

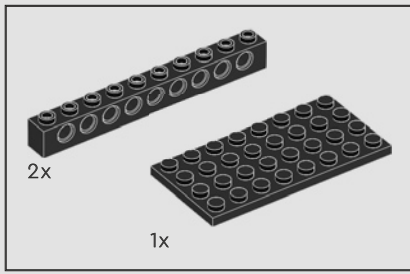


57

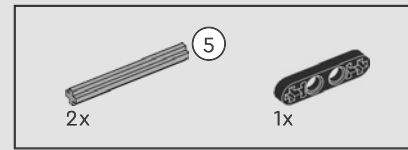
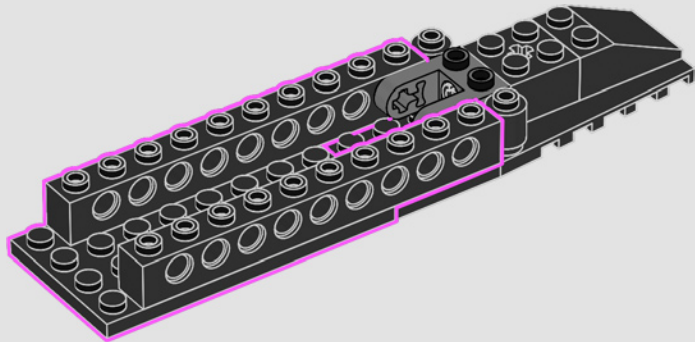


58

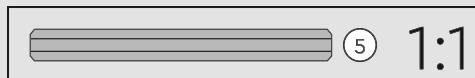
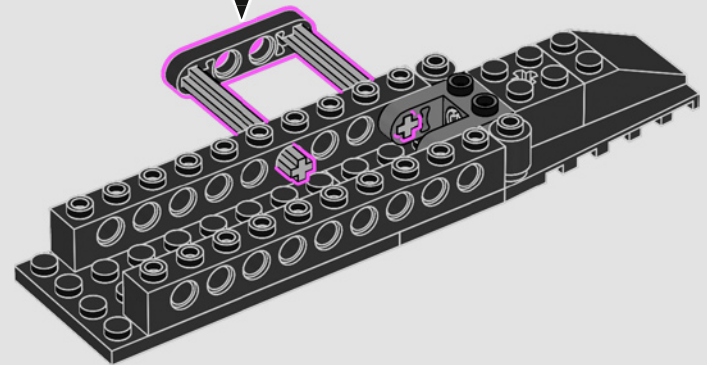
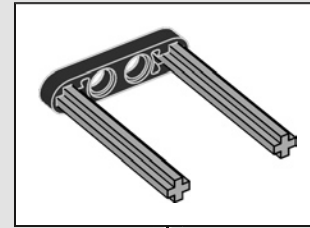


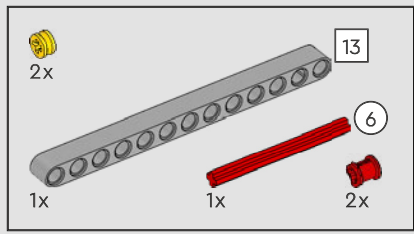


59

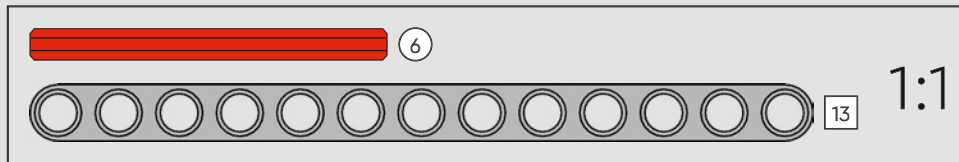
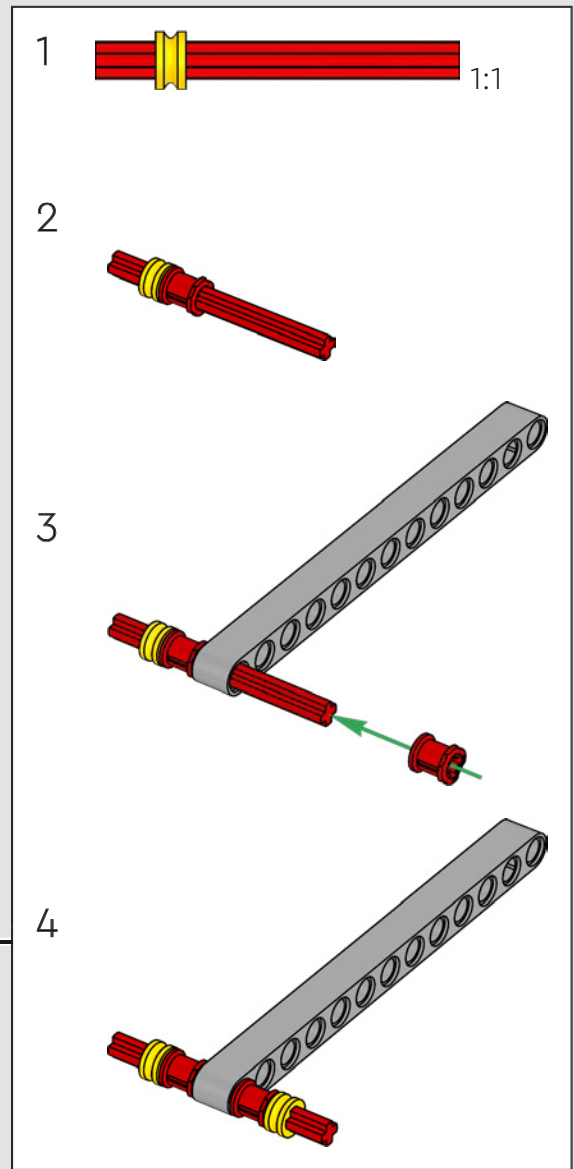
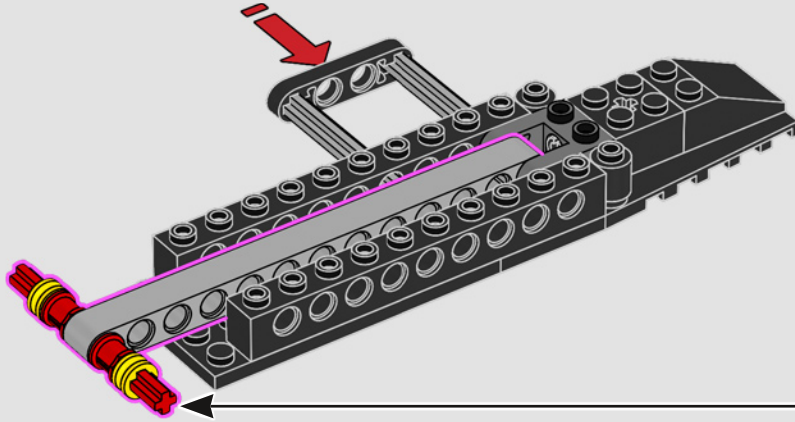


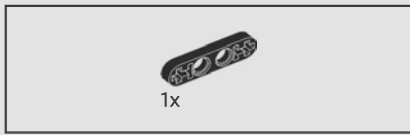
60



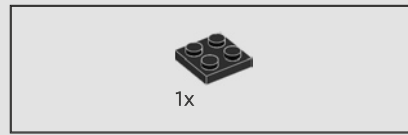
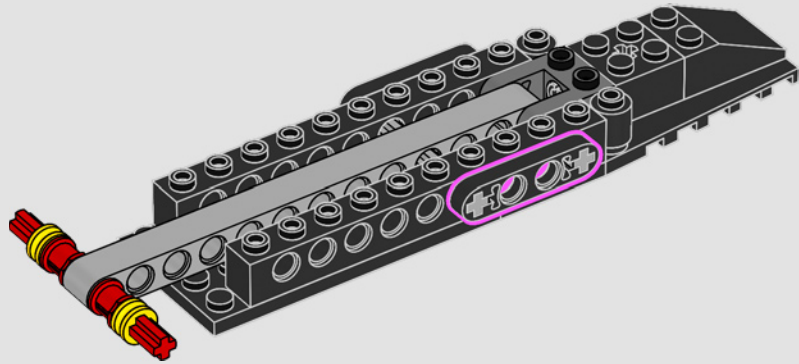


61

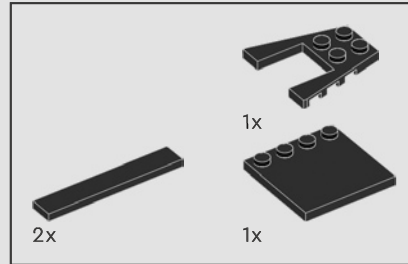
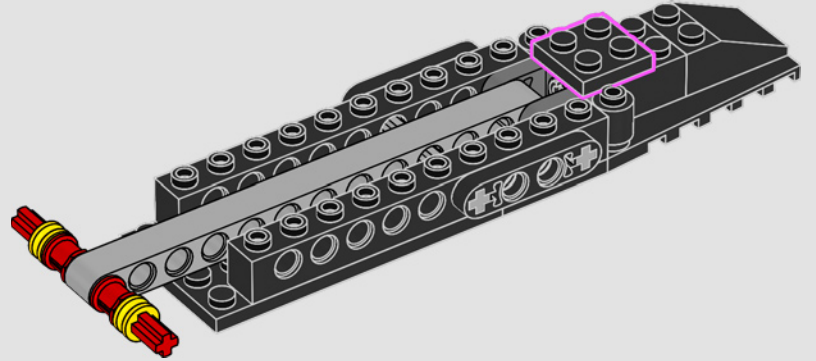




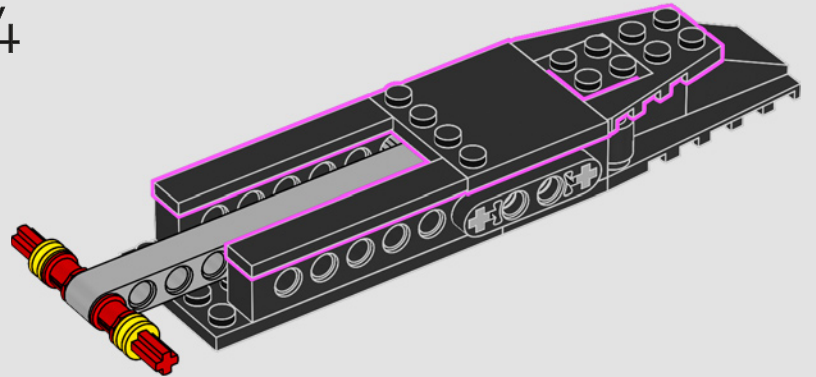
62

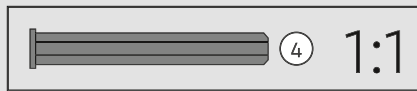
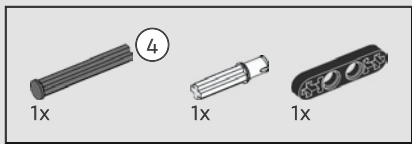


63

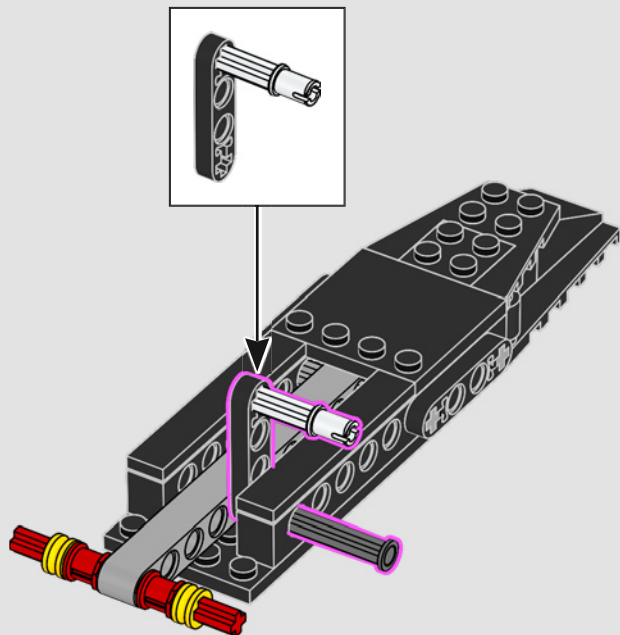


64

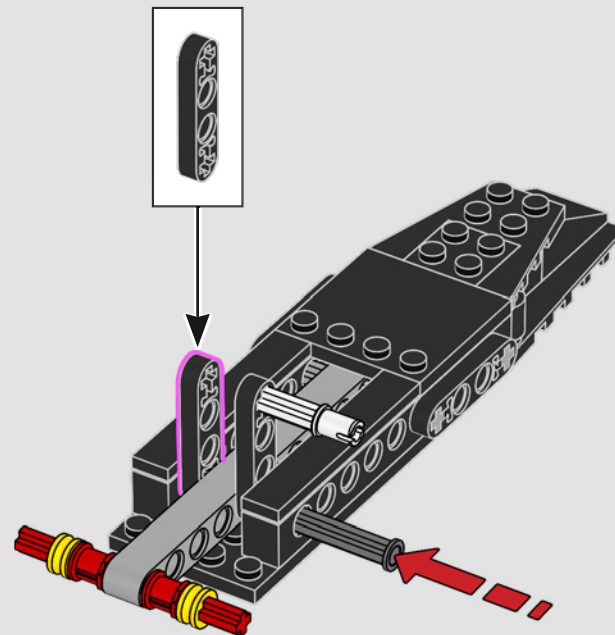




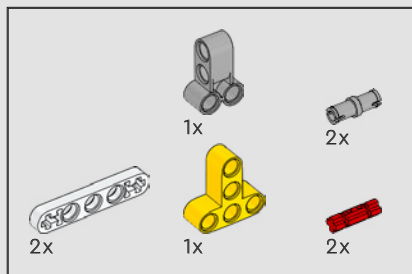
65



66

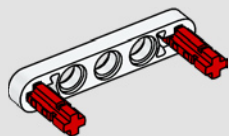




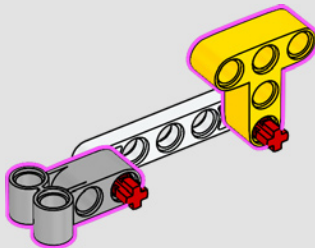


67

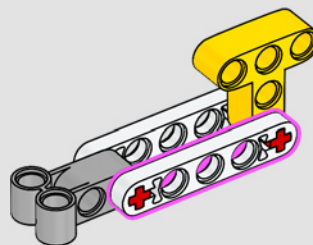
1



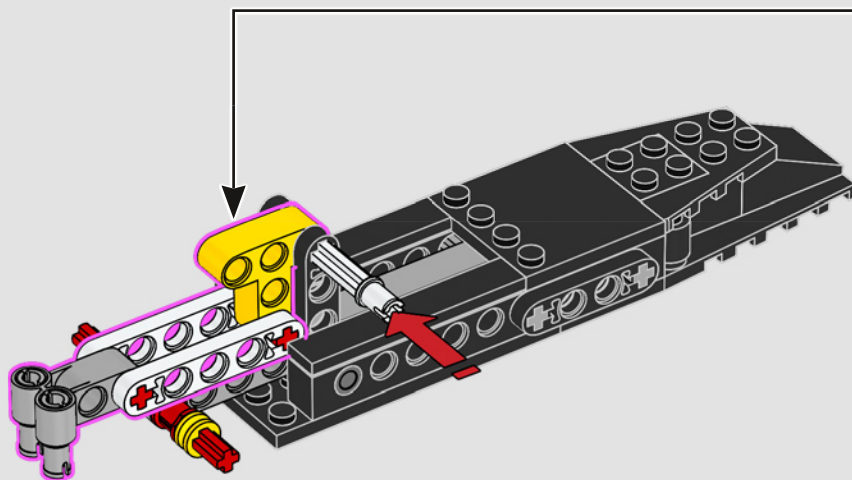
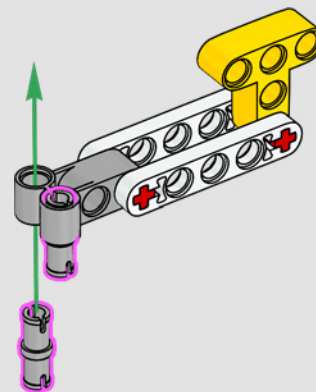
2

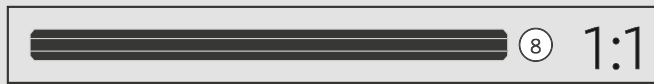
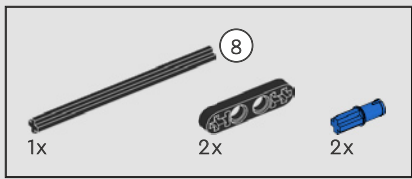


3

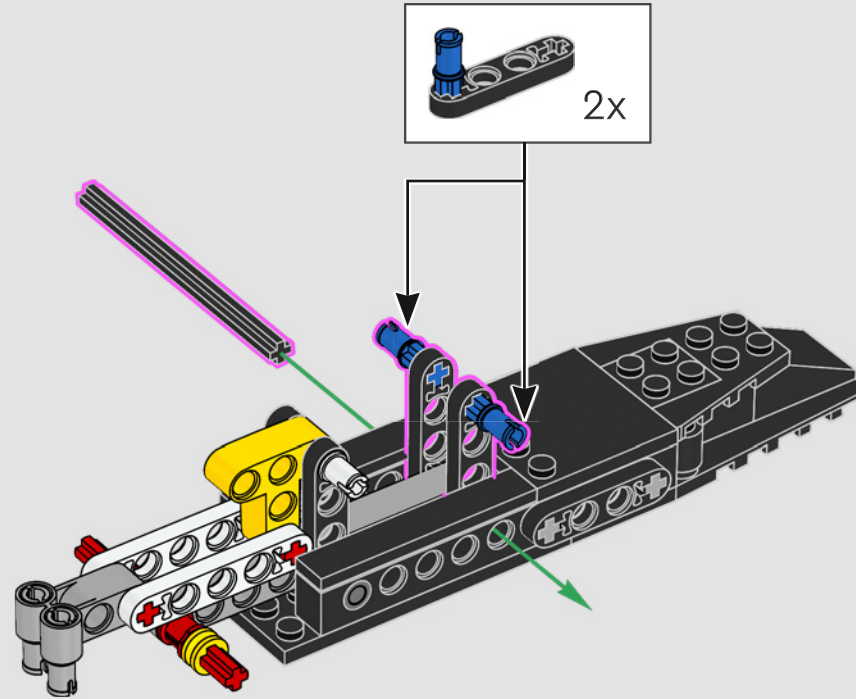


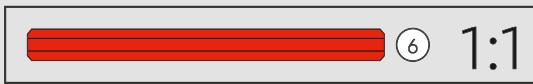
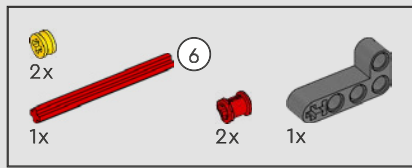
4



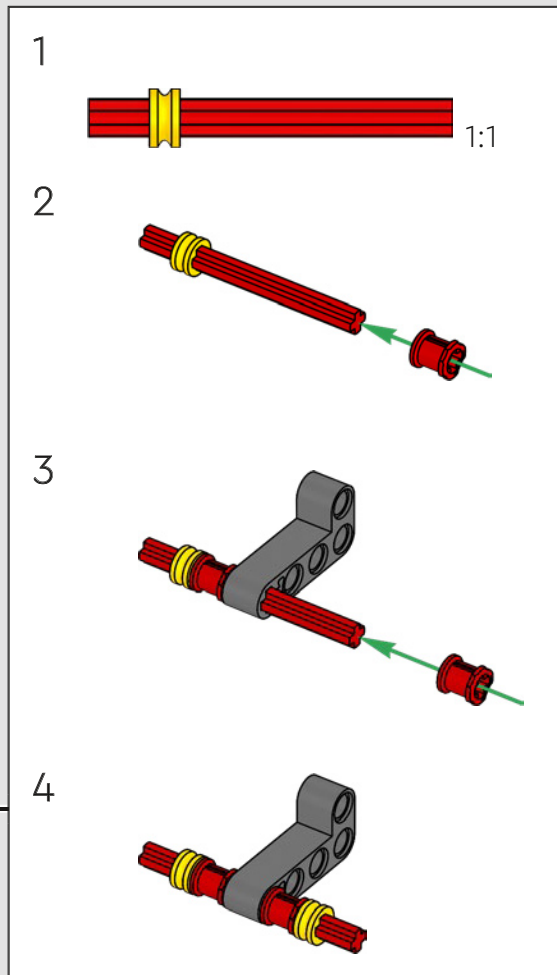
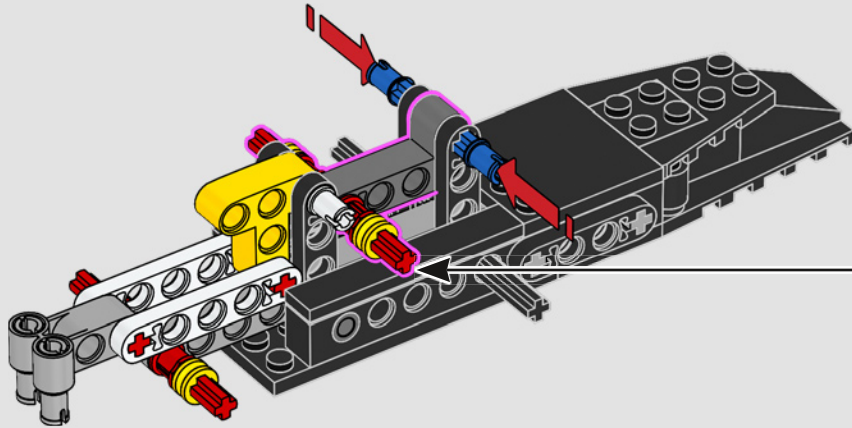


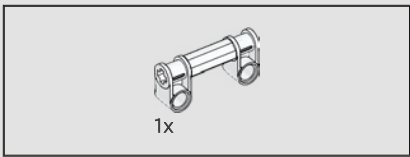
68



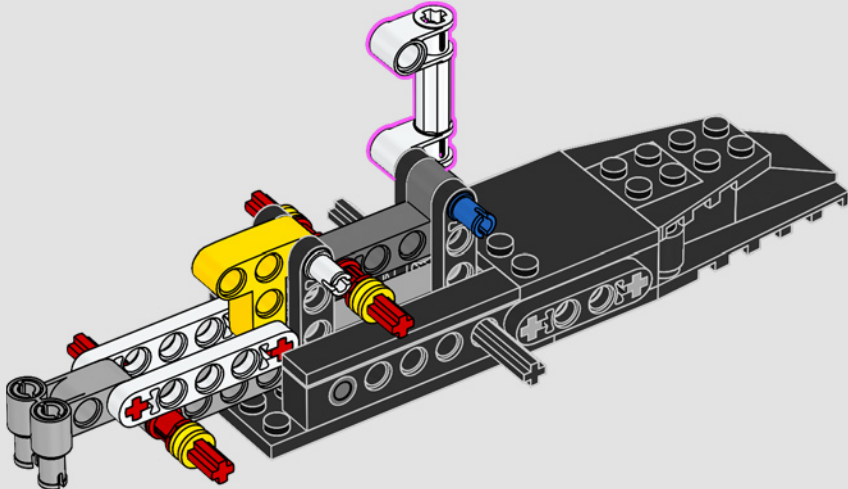


69

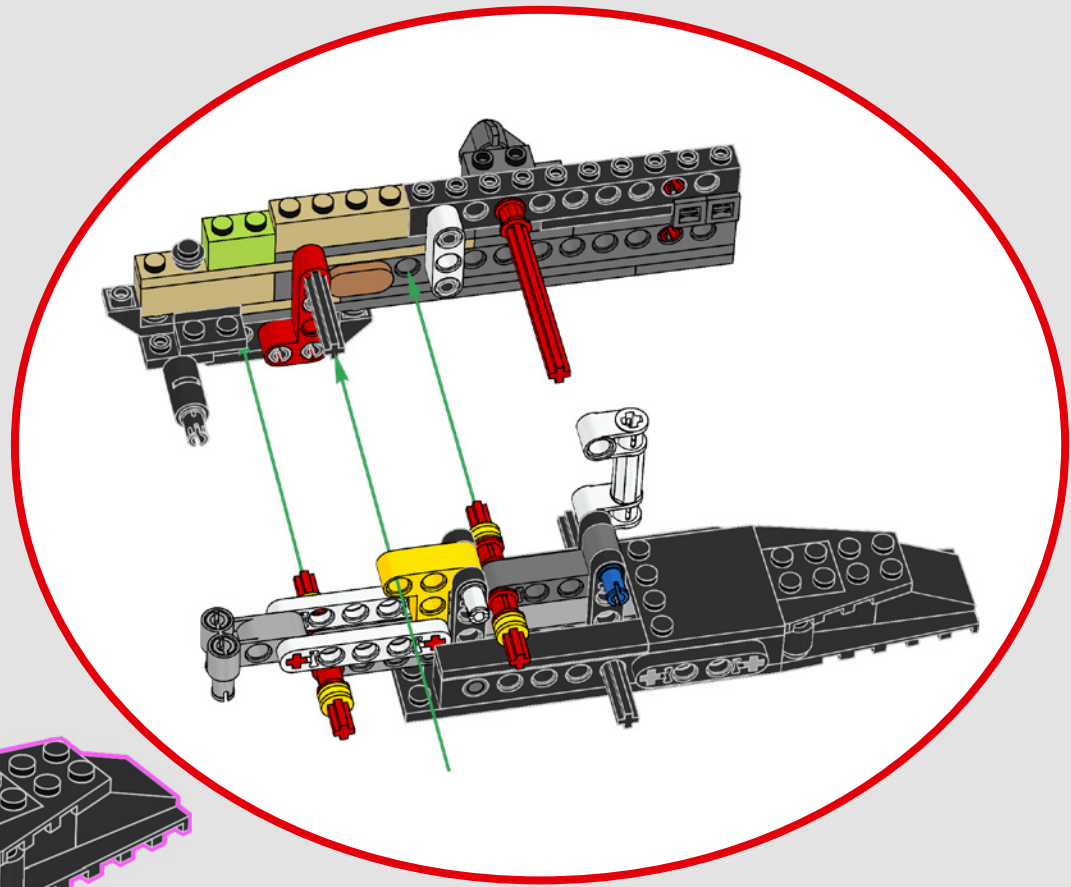
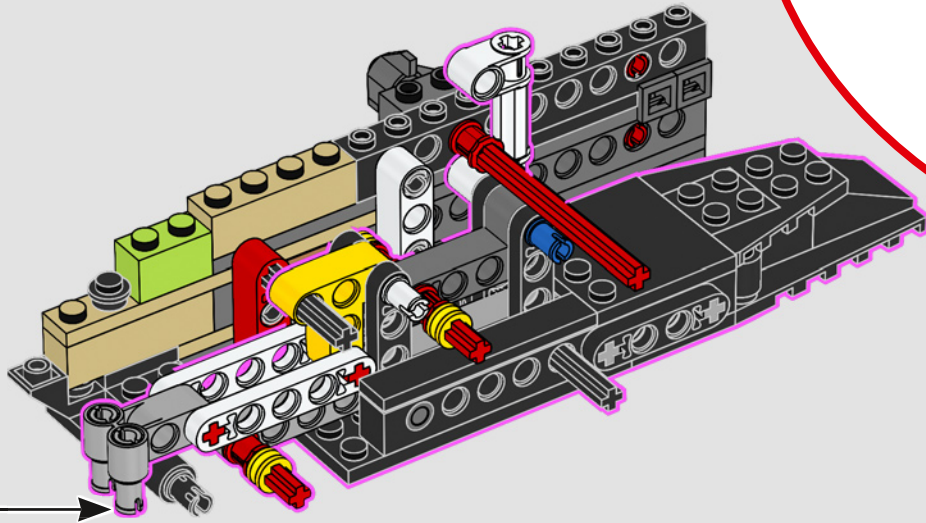


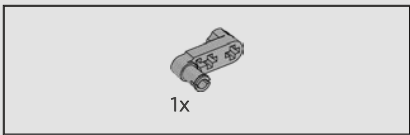


70

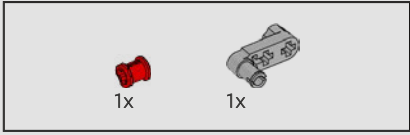
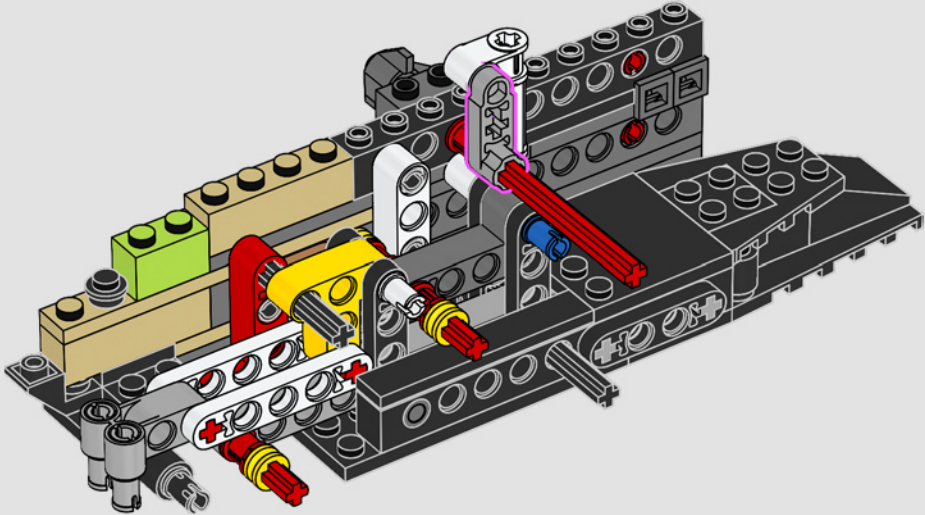


71

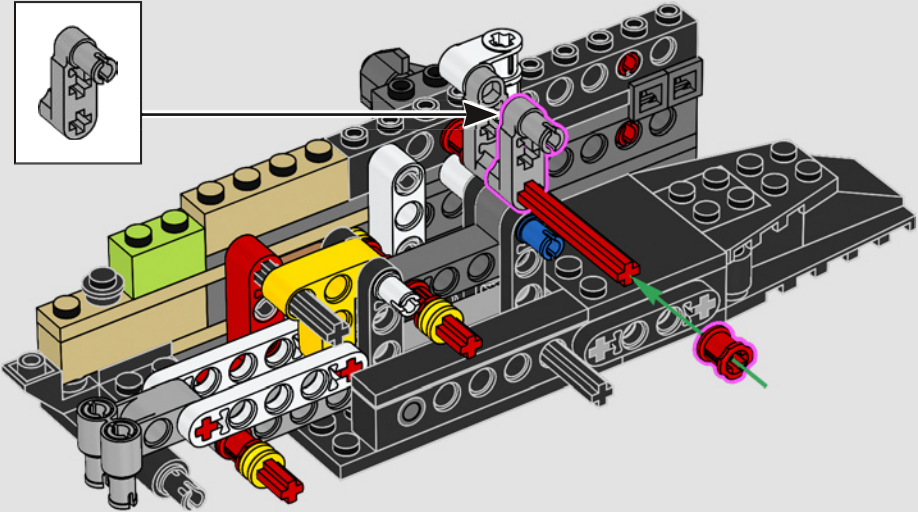
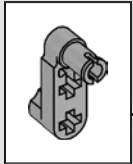


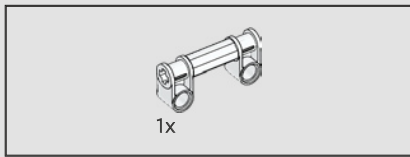


72

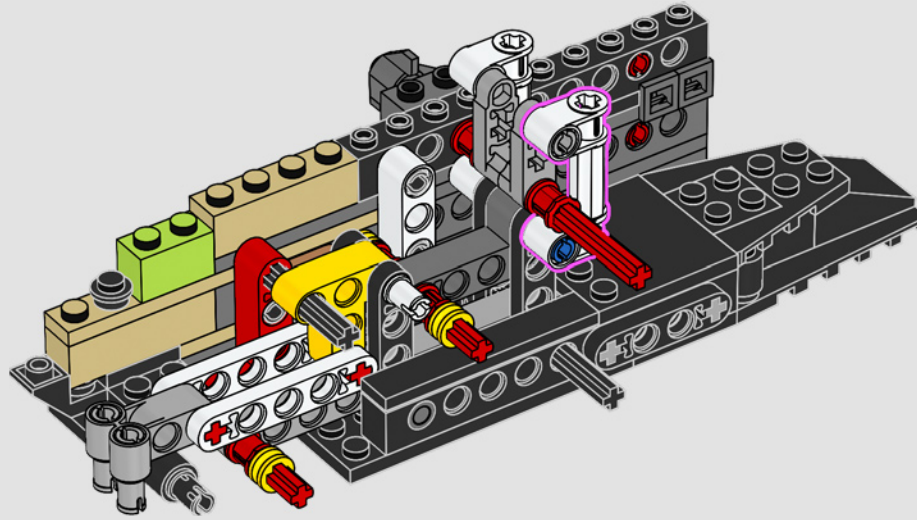


73

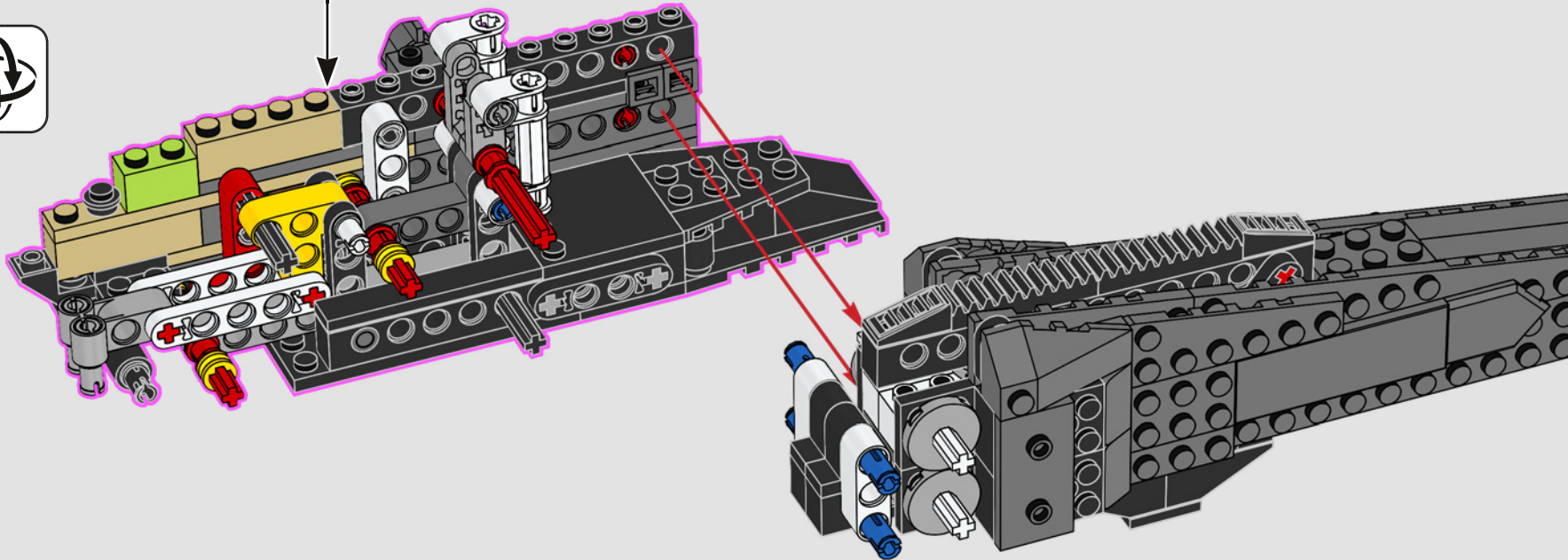


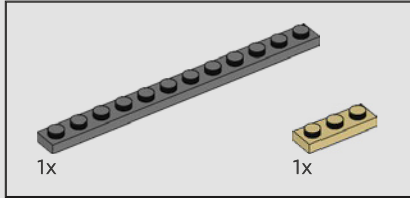
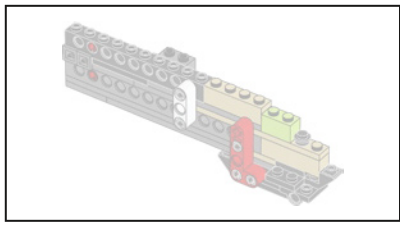


74

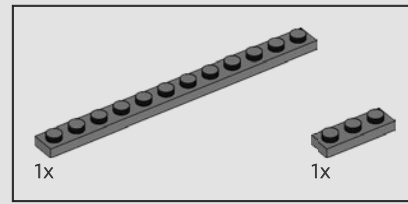
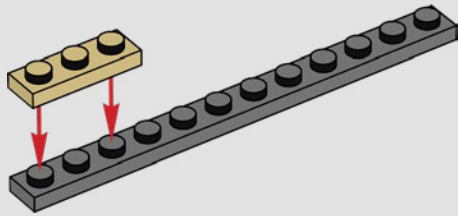


75

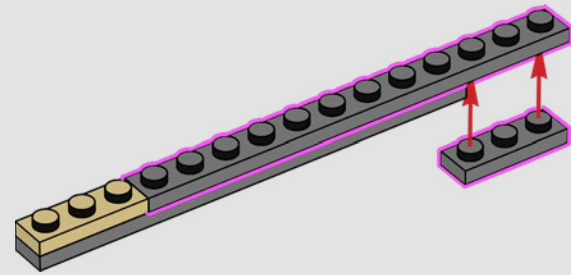




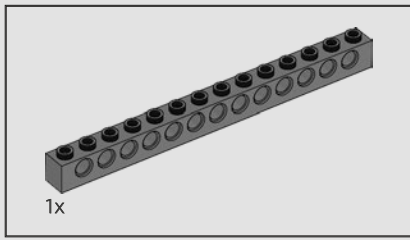
76



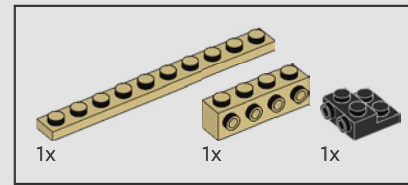
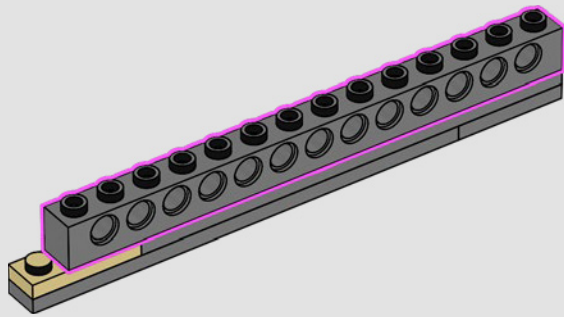
77



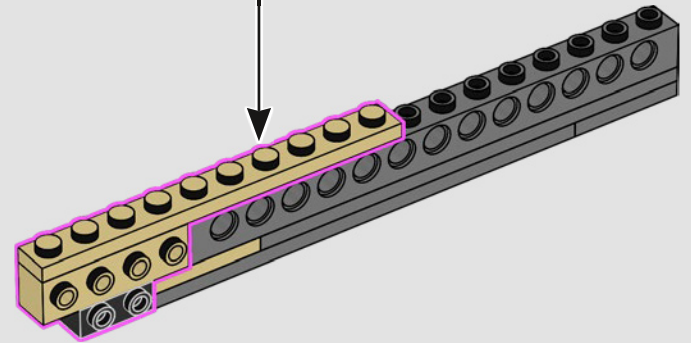
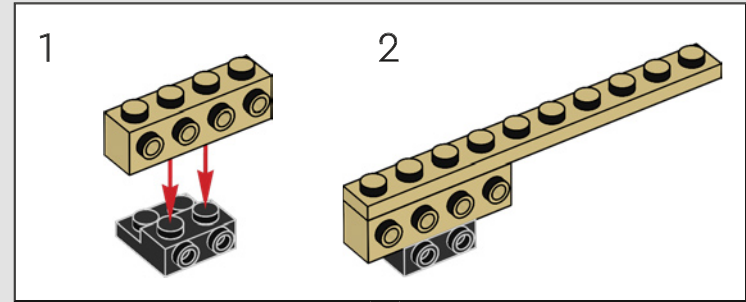


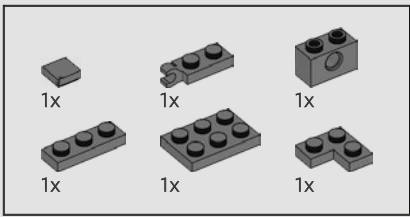


78

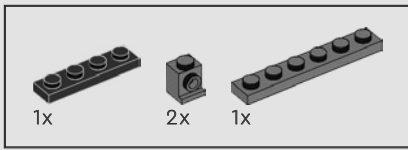
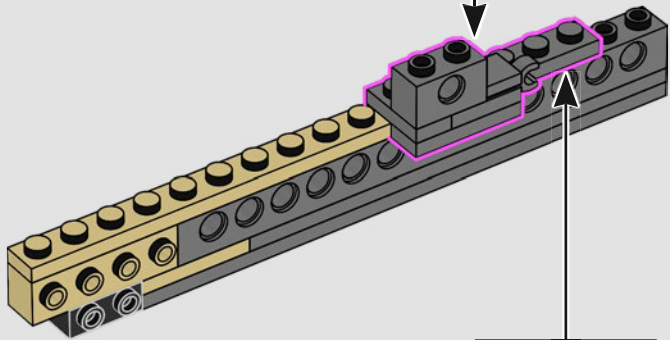
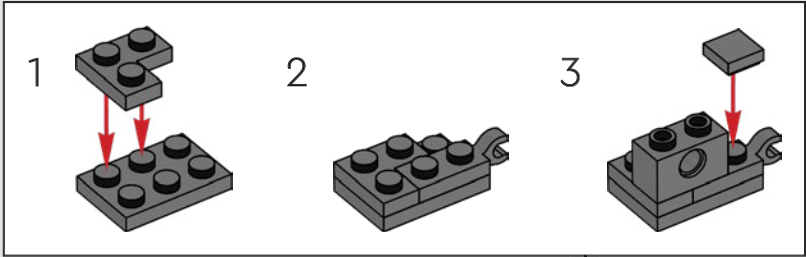


79

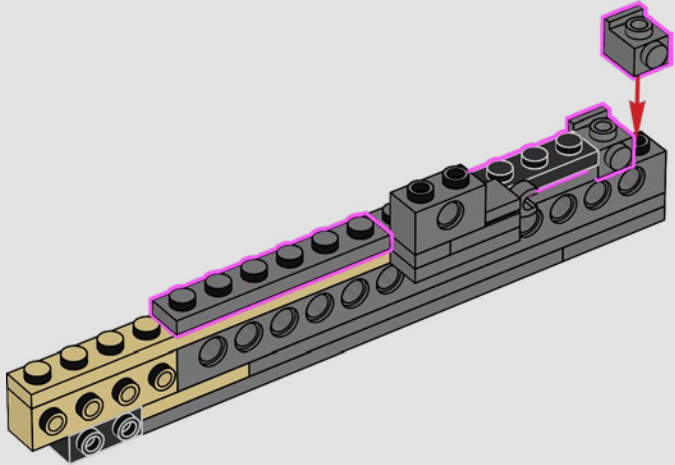


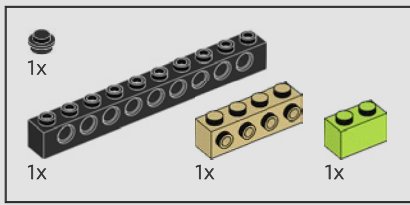


80

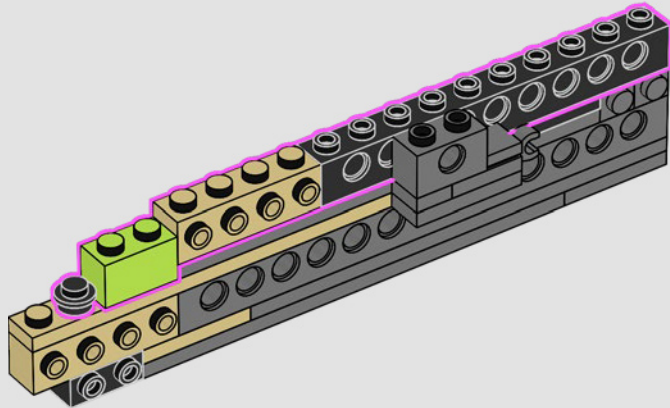


81

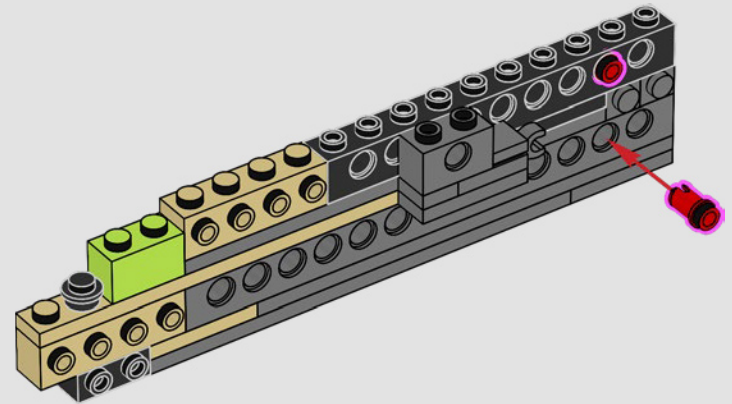


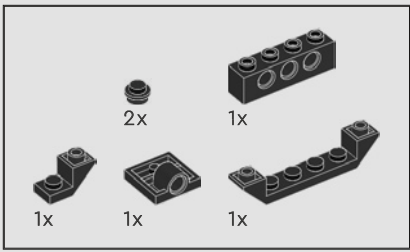


82



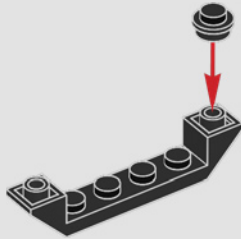
83



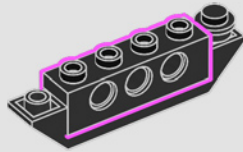


84

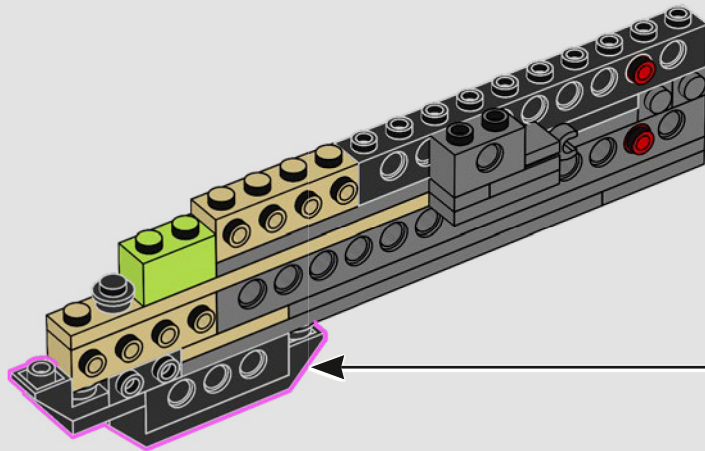
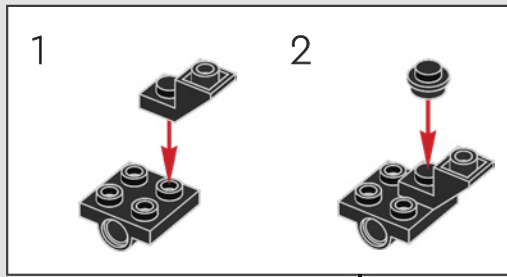
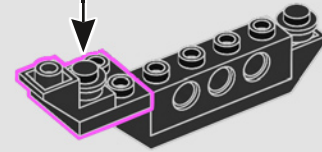
1



2

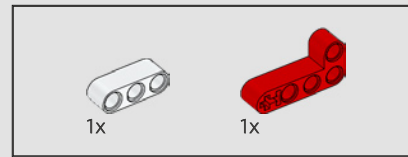
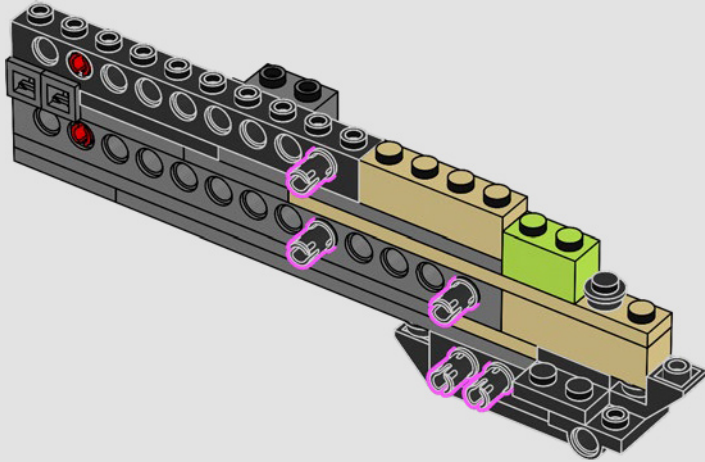


3

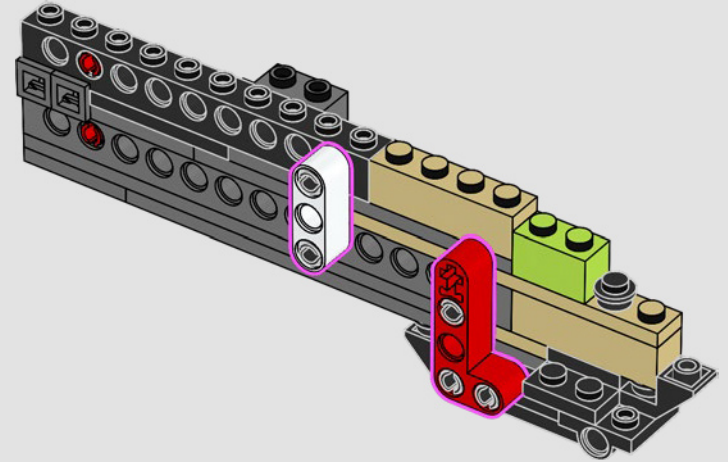


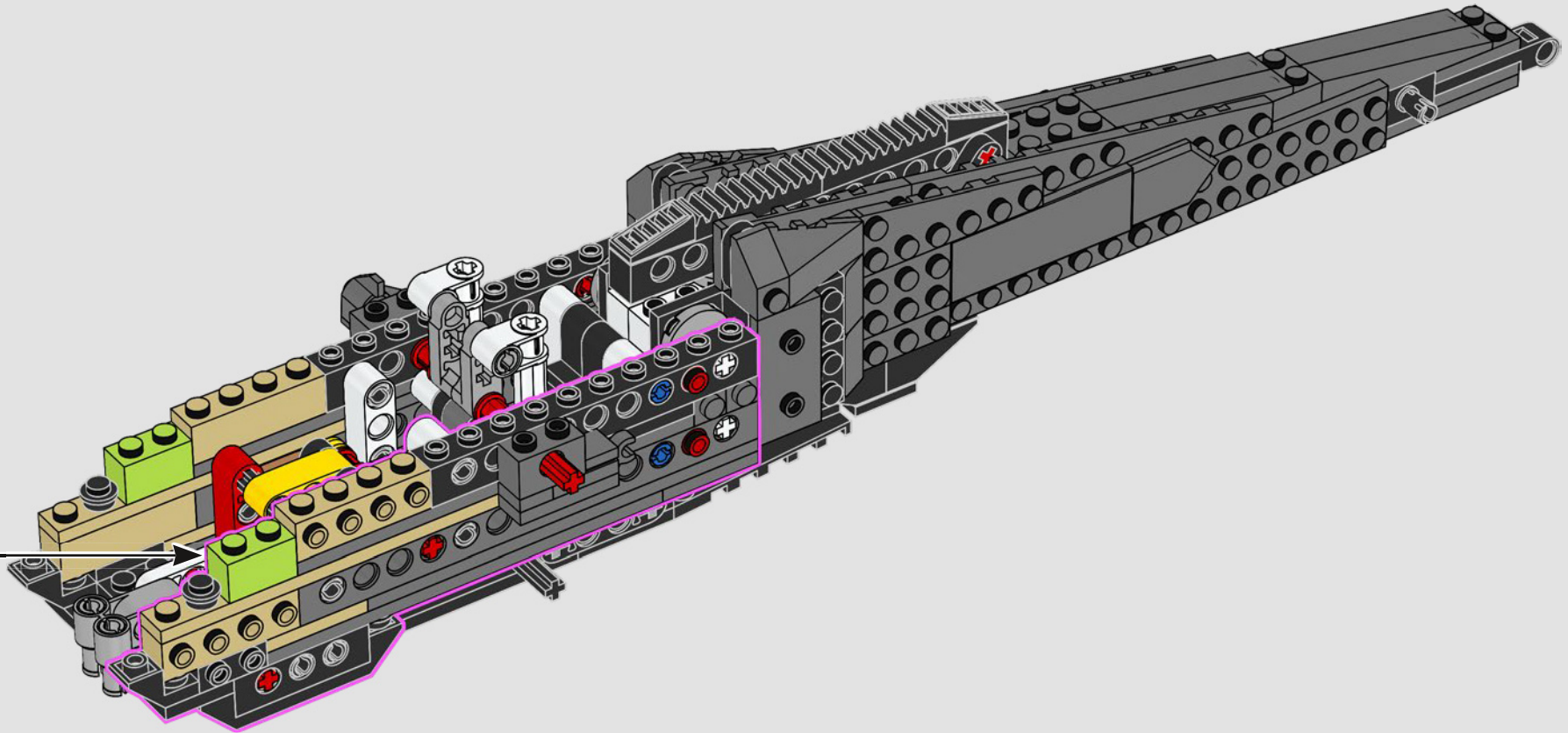


85



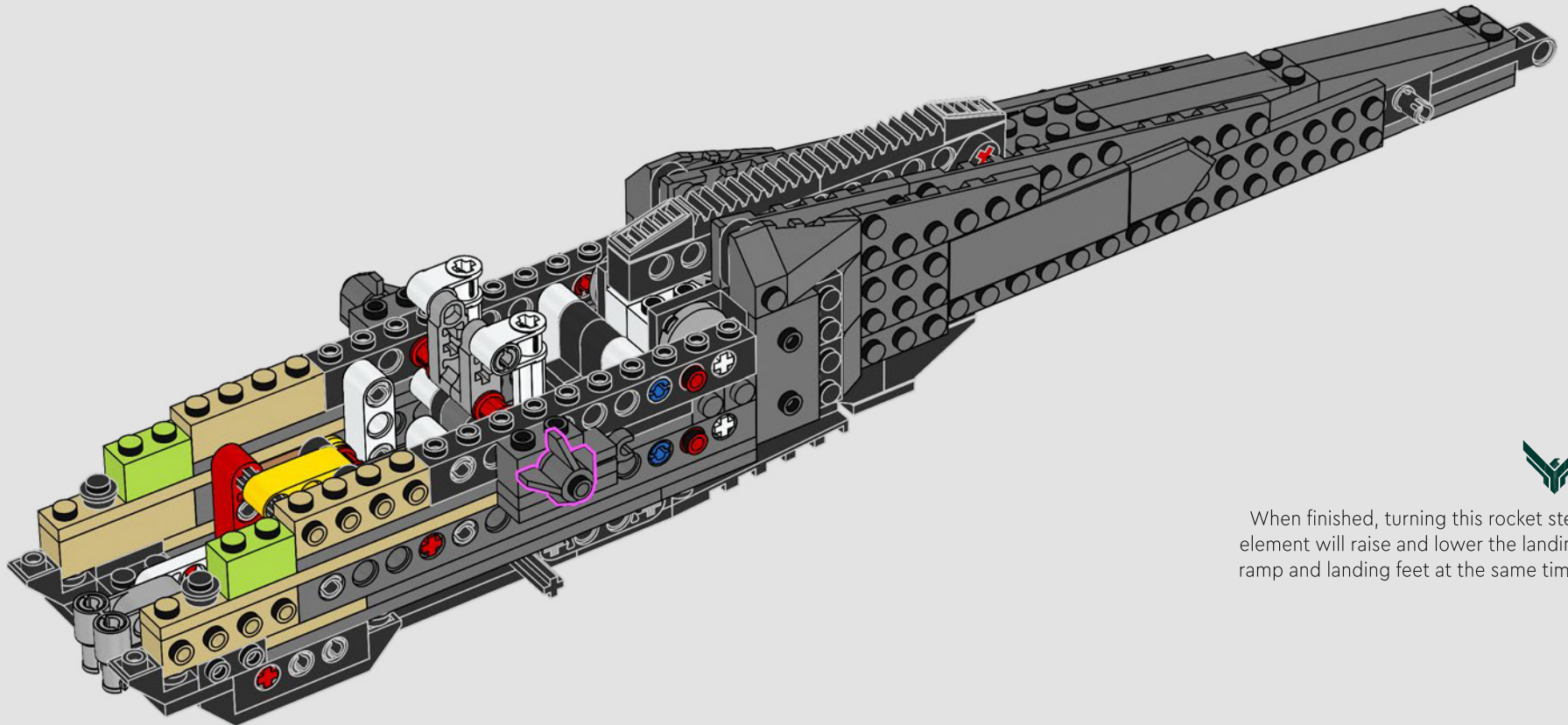
86



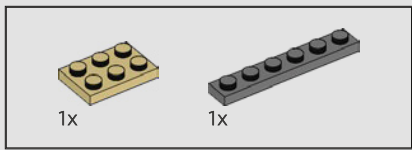




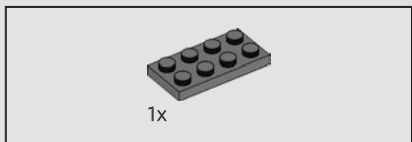
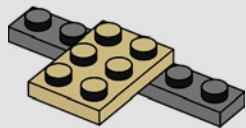
88



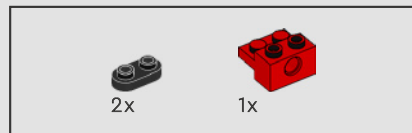
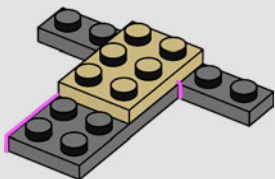
When finished, turning this rocket step element will raise and lower the landing ramp and landing feet at the same time.



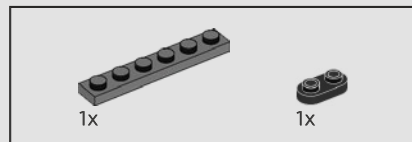
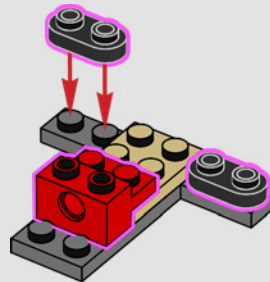
89



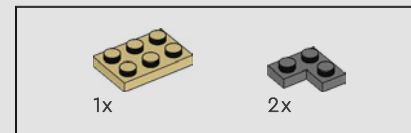
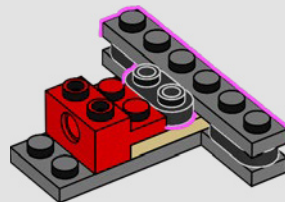
90



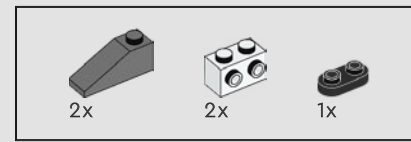
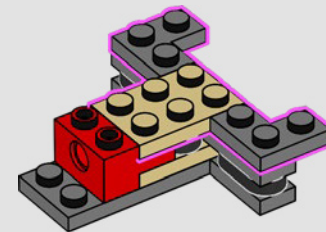
91



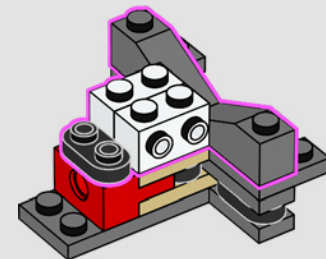
92



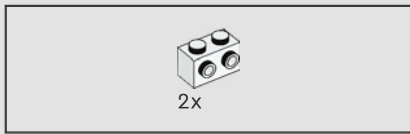
93



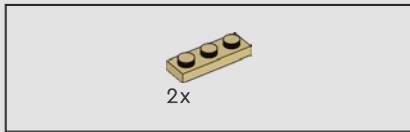
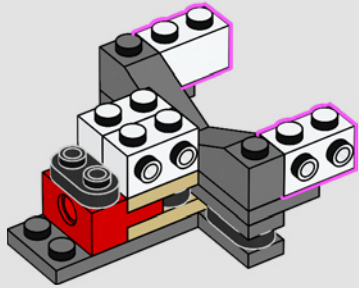
94



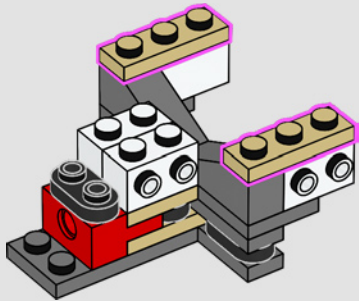




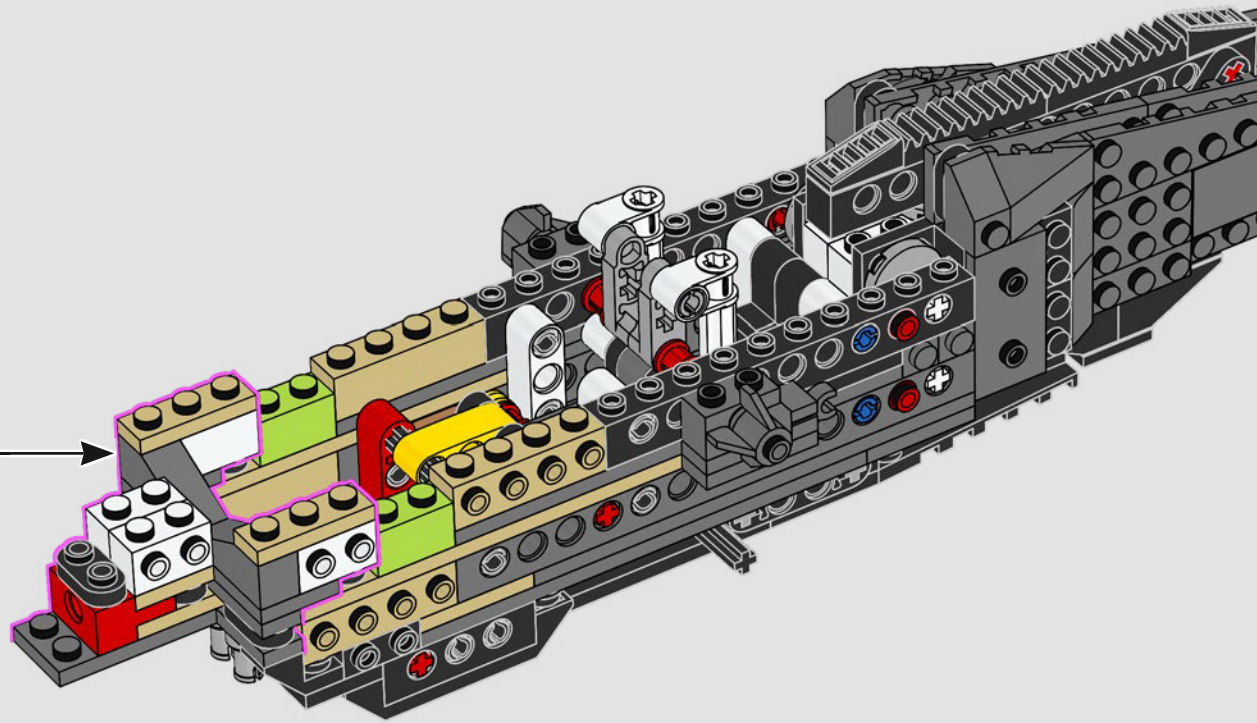
95

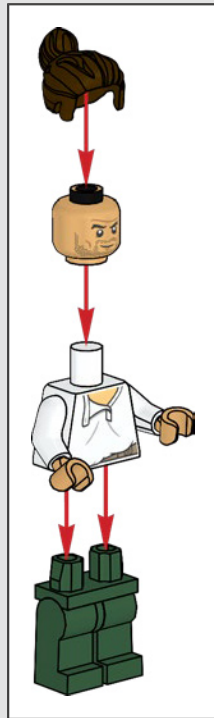
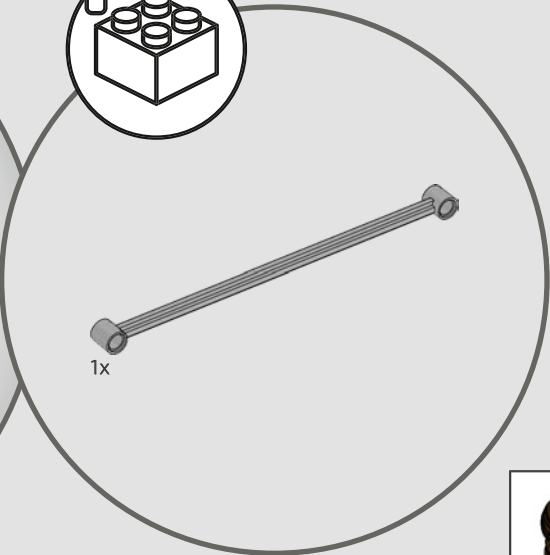
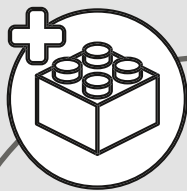


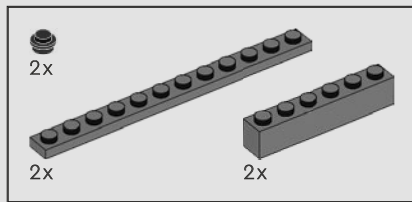
96



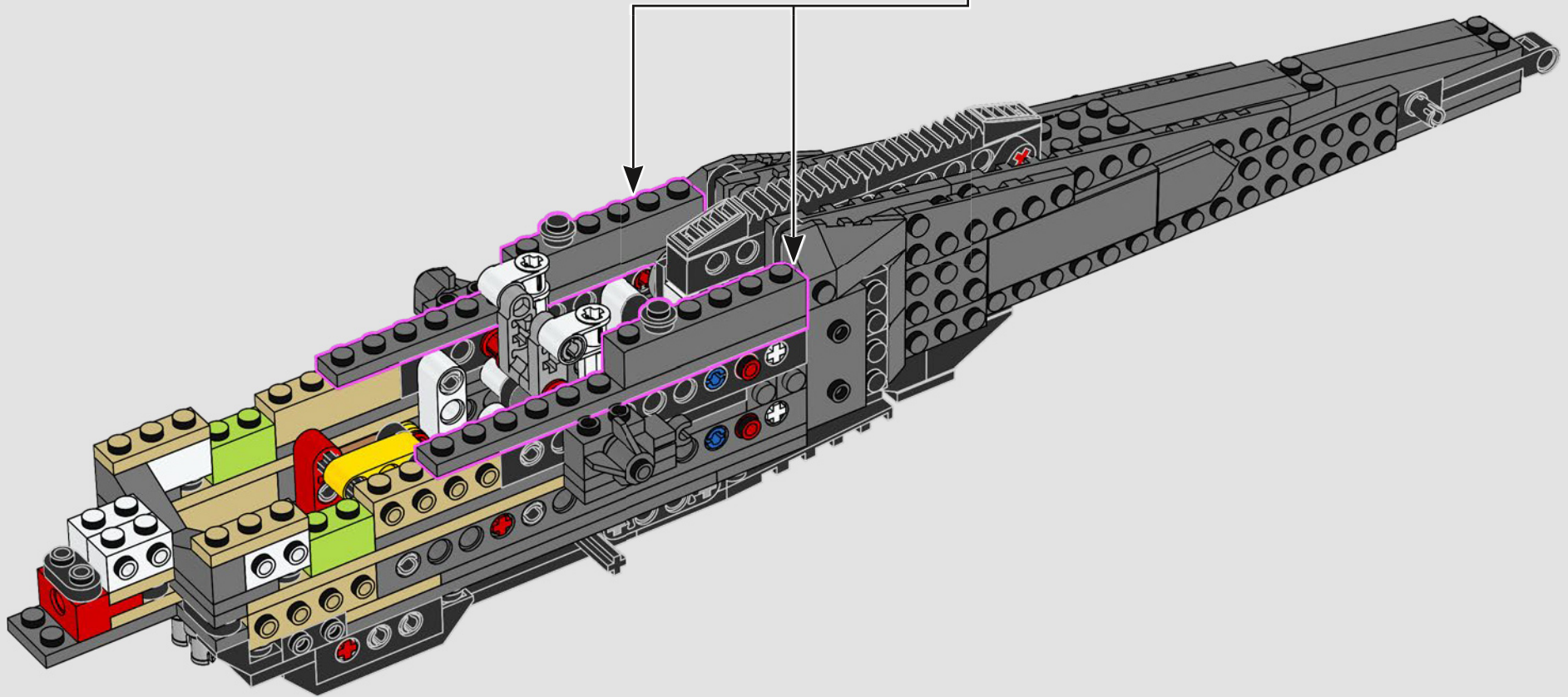
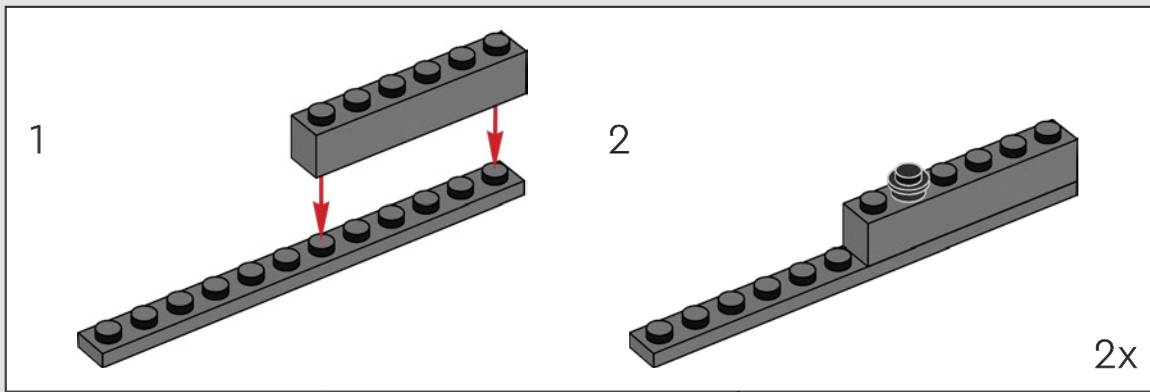
97

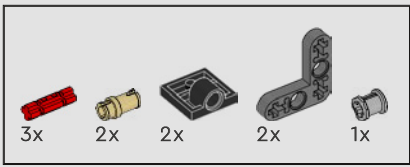






98



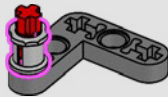


99

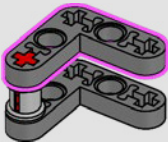
1



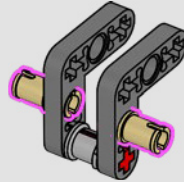
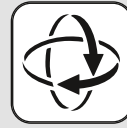
2



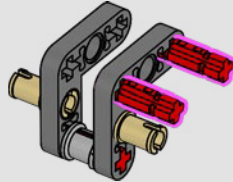
3



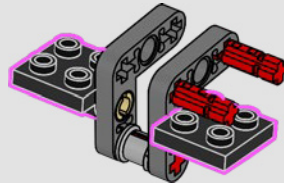
4

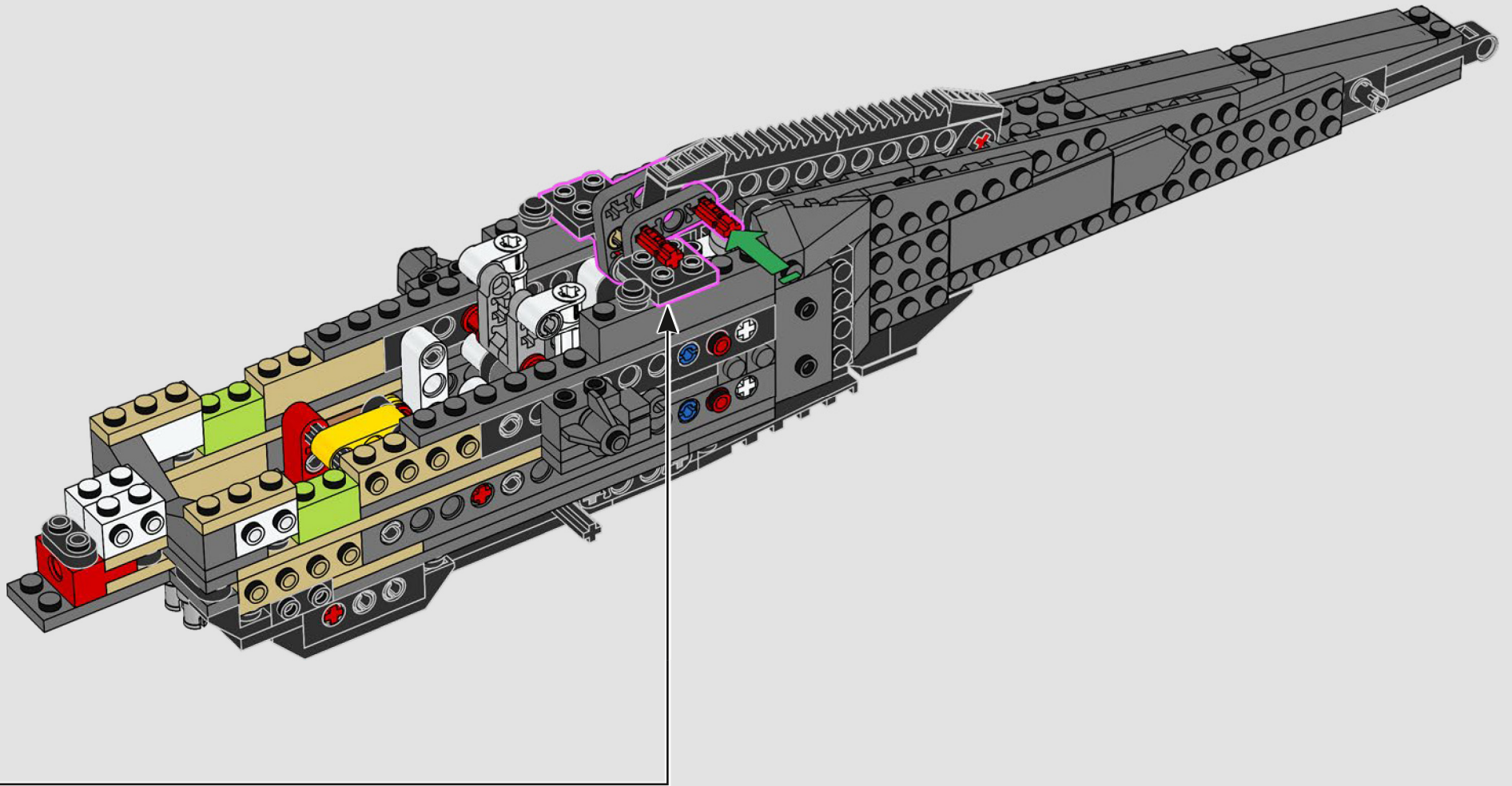


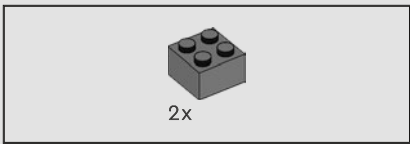
5



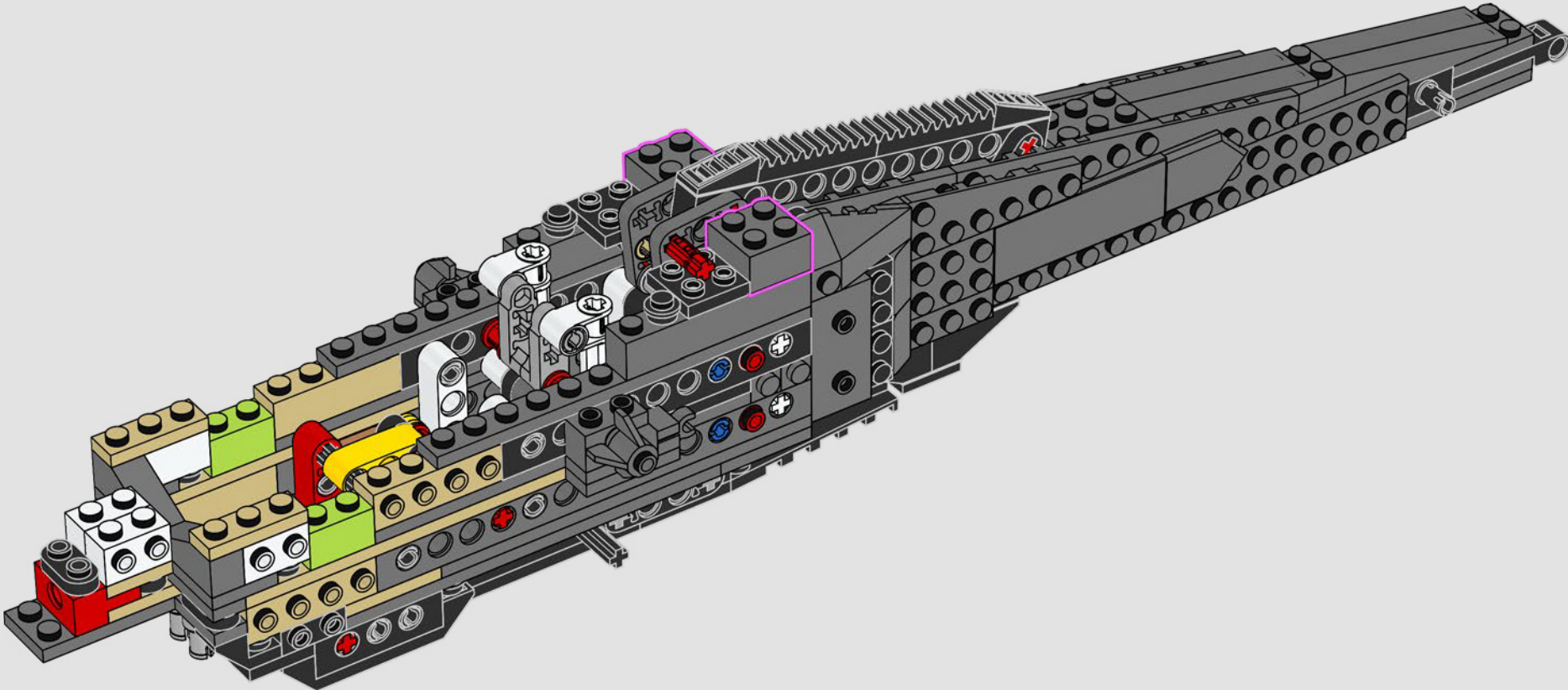
6

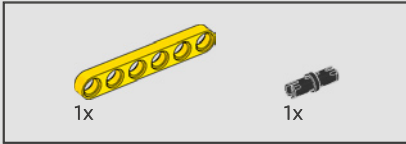
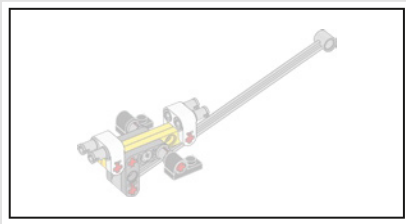




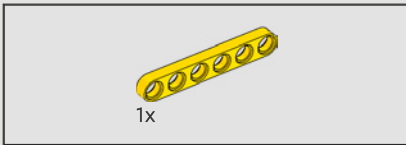
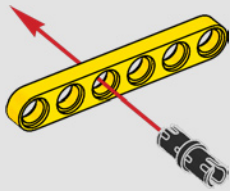


100

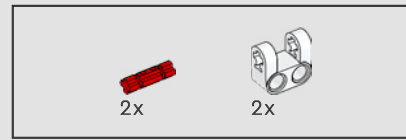
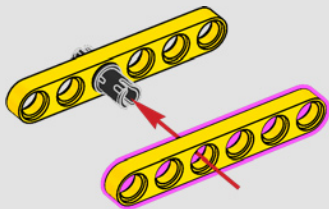




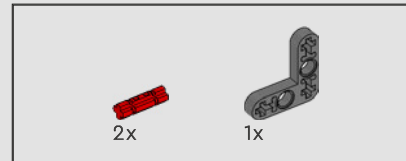
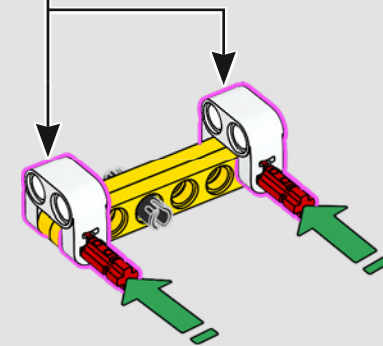
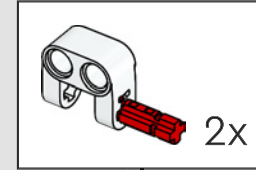
101



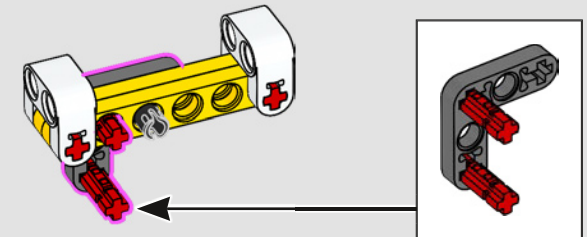
102

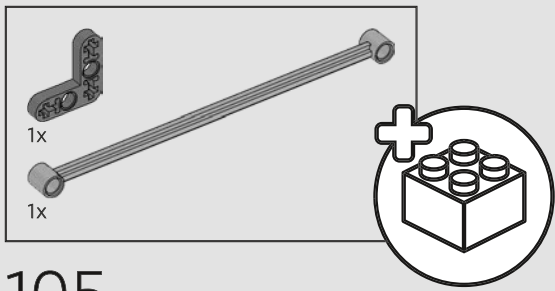


103

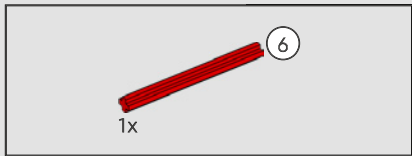
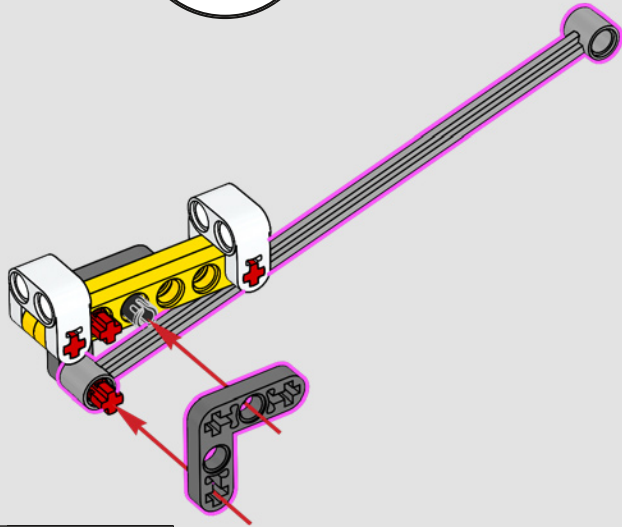


104

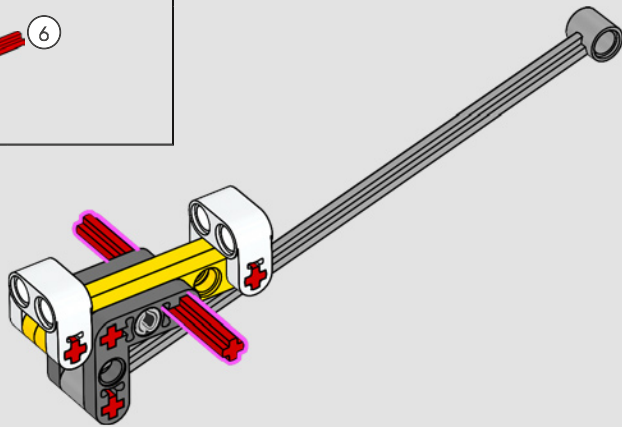




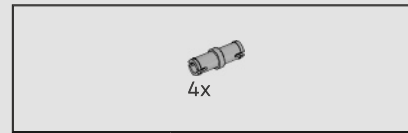
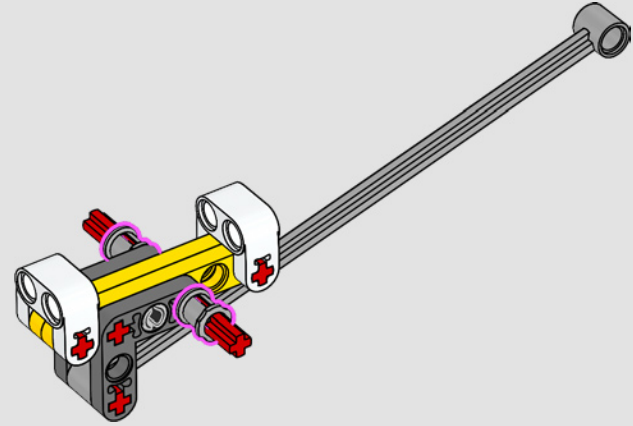
105



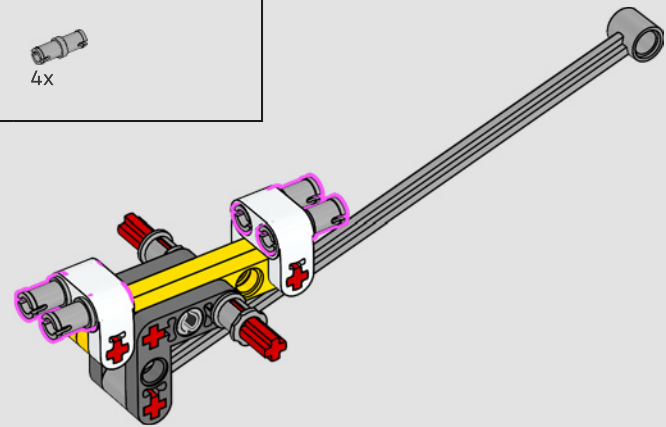
106



107



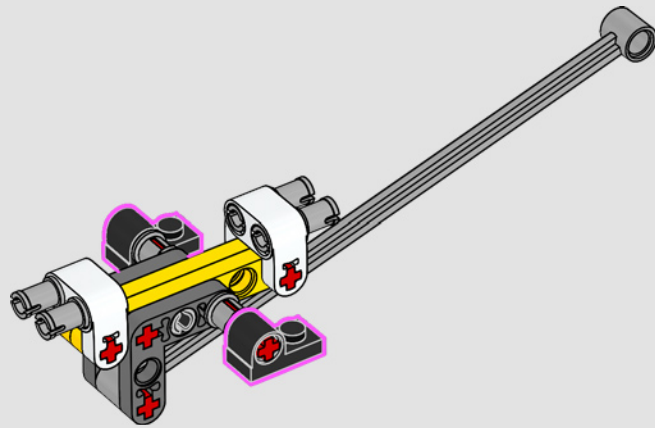
108



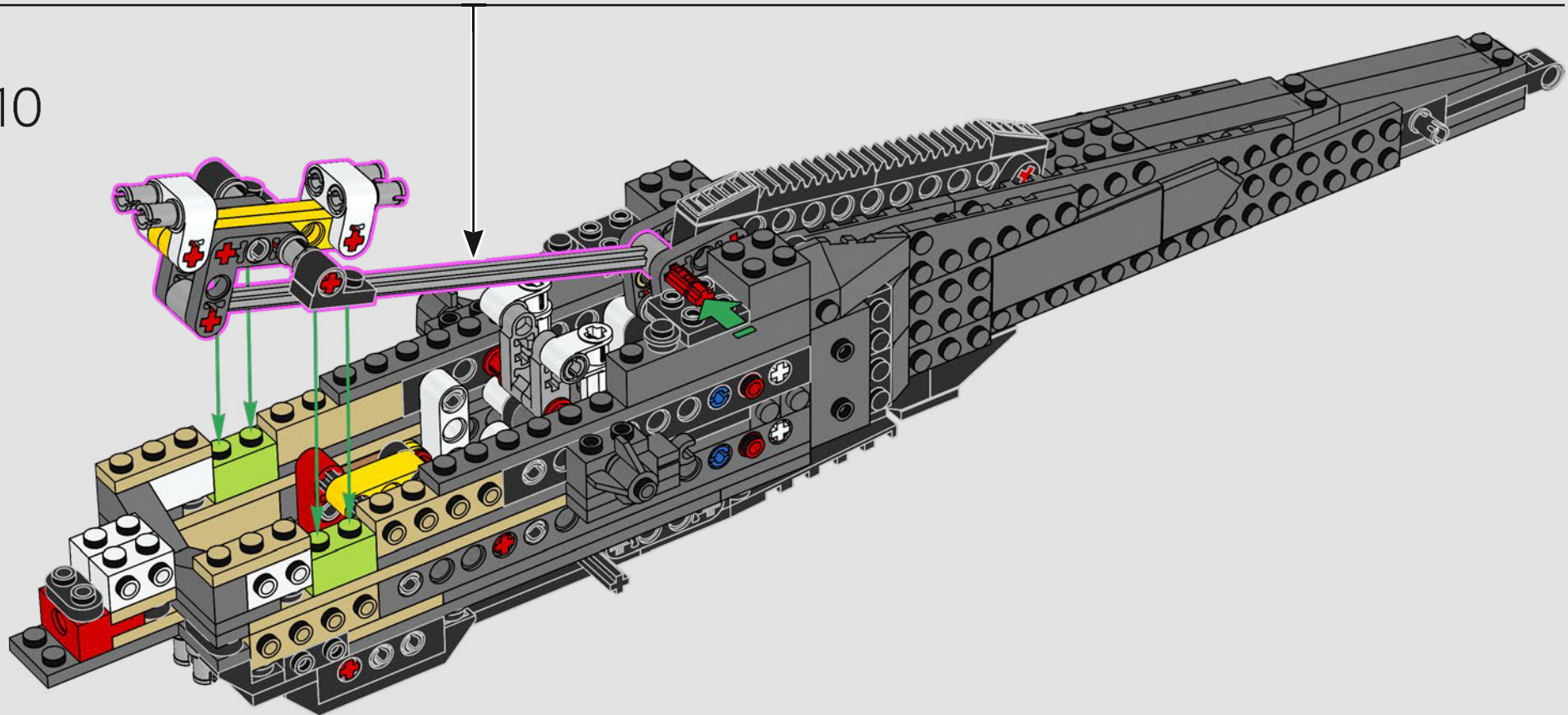




109



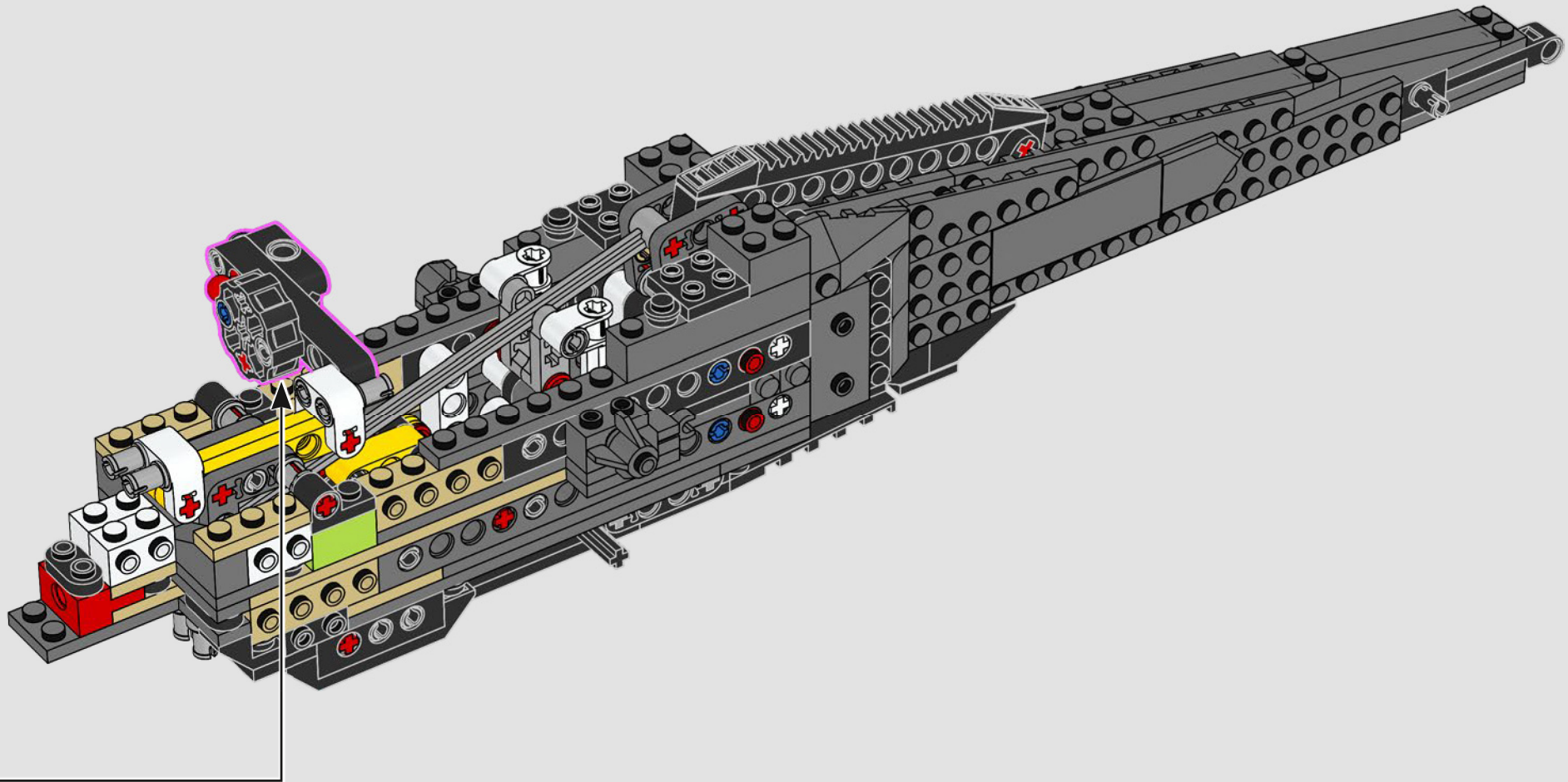
110

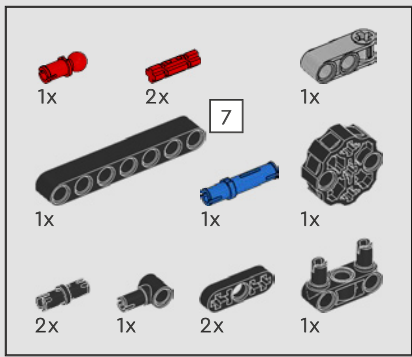






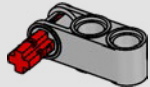
These four 'wing roots' form the foundation for the flapping mechanism of the ornithopter.



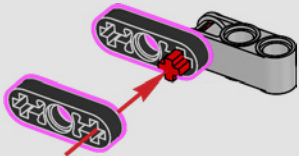


112

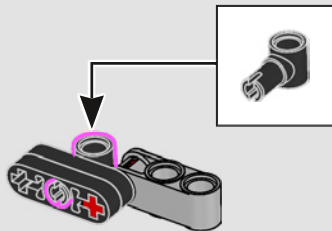
1



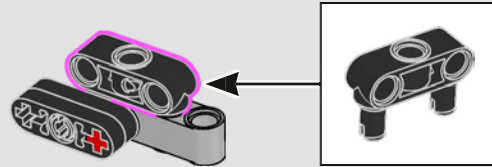
2



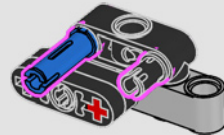
3



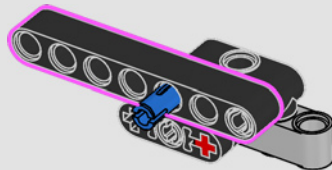
4



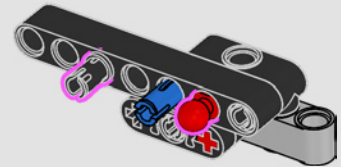
5



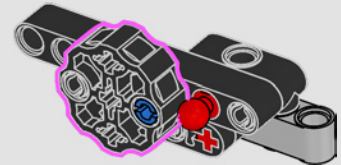
6



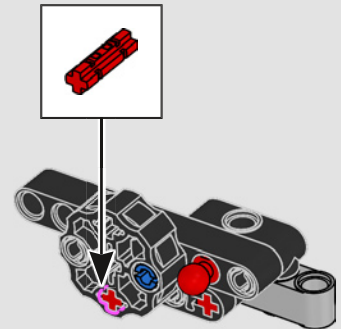
7

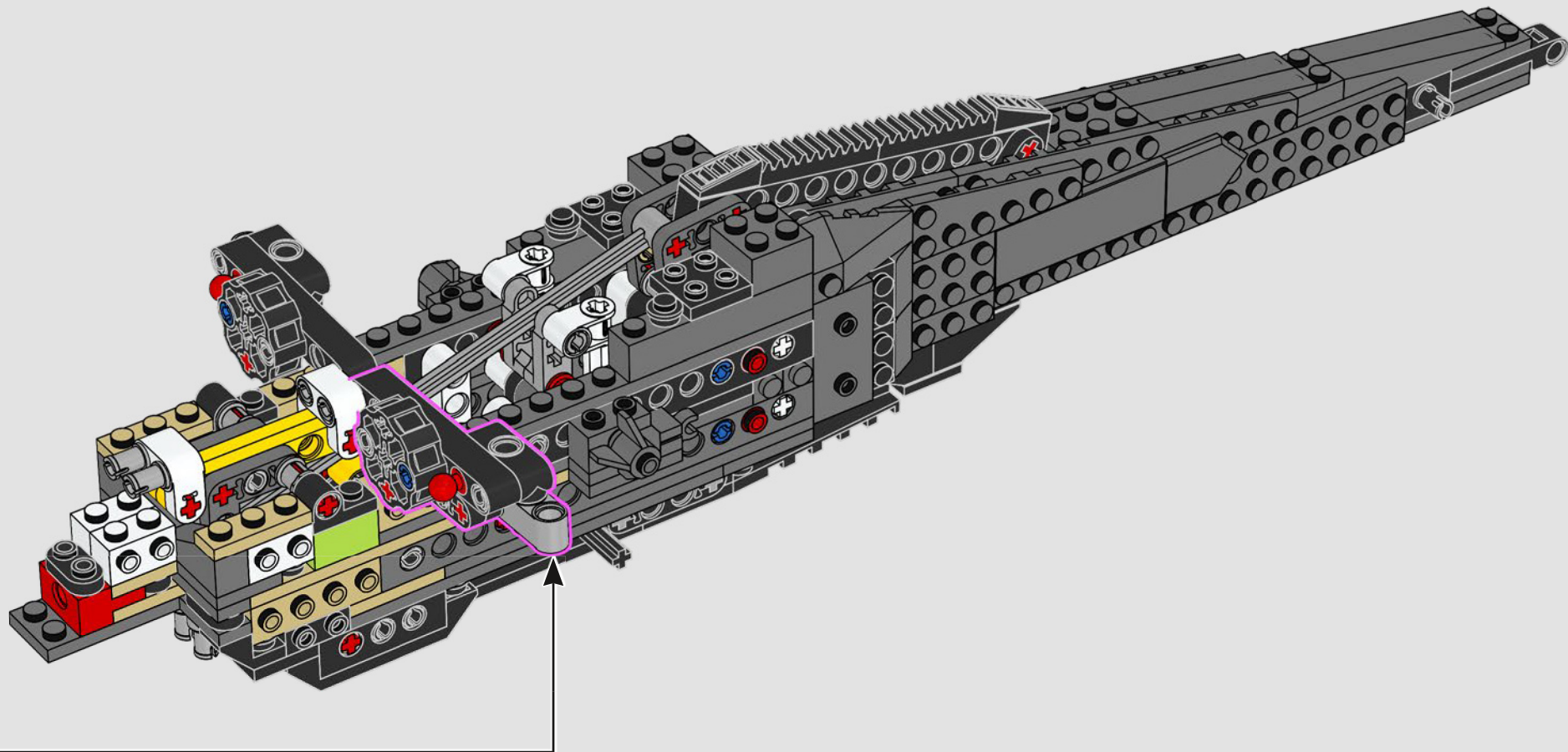


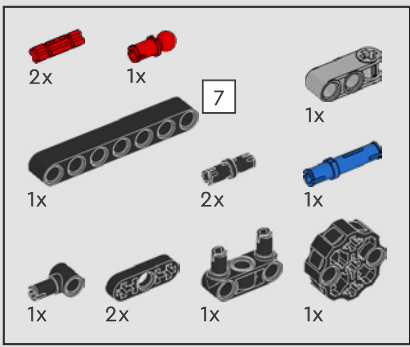
8



9





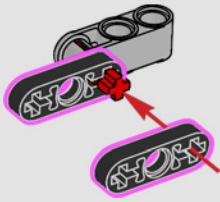


113

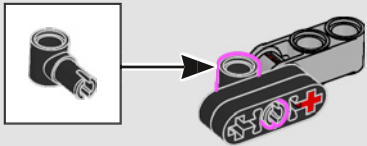
1



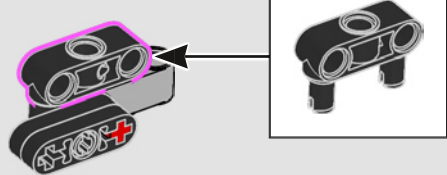
2



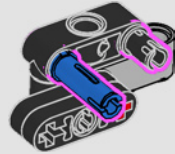
3



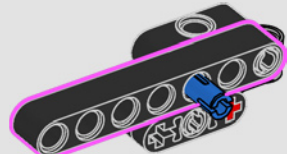
4



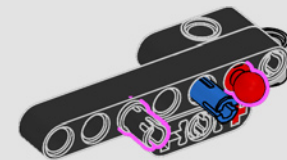
5



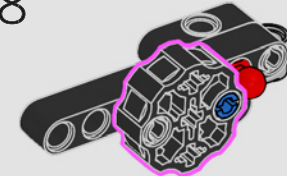
6



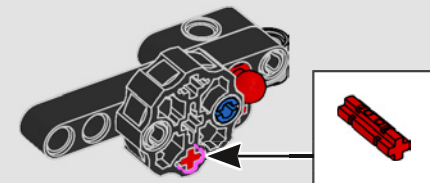
7

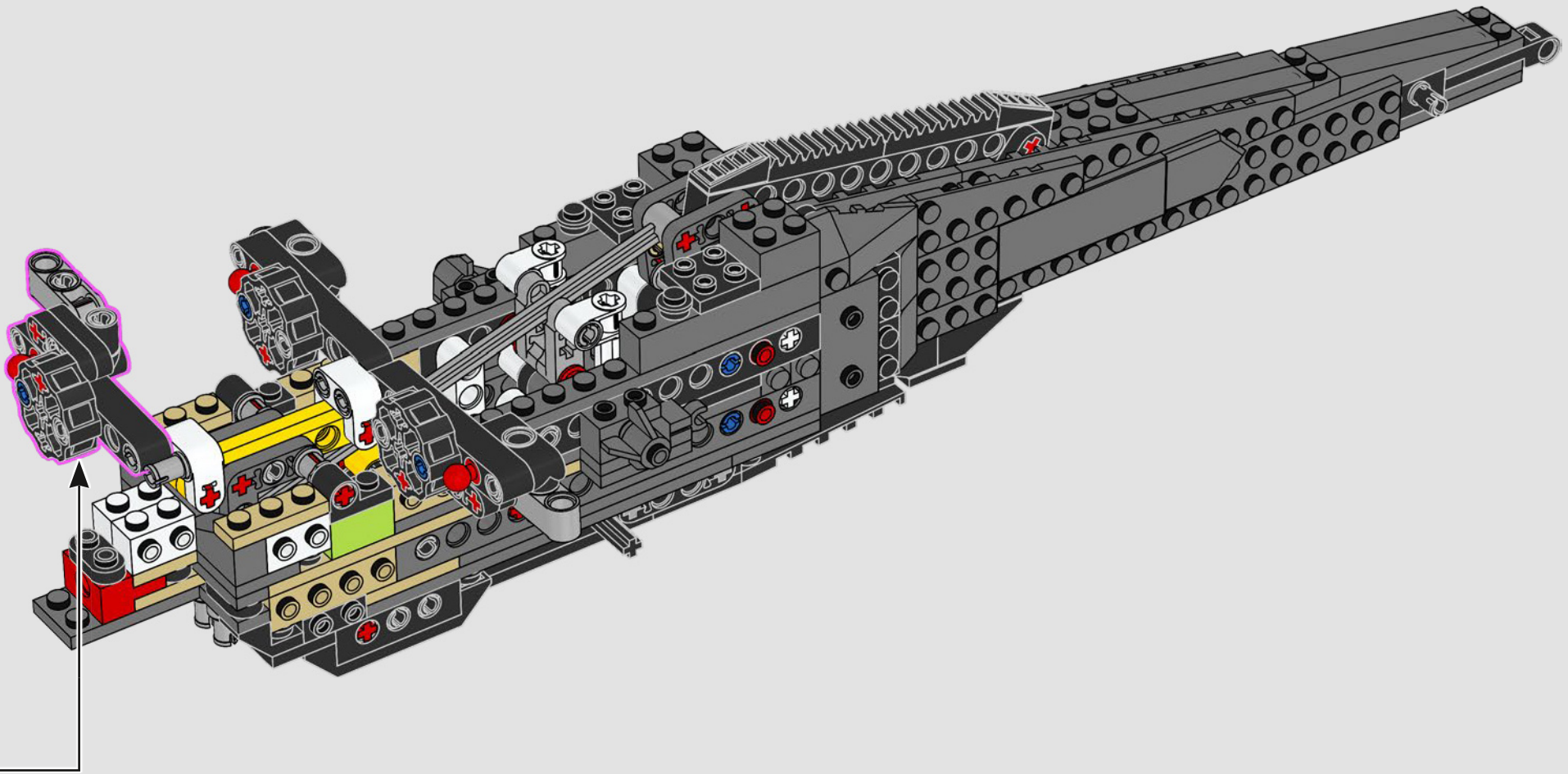


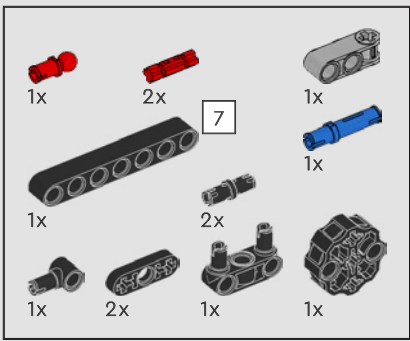
8



9

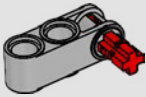




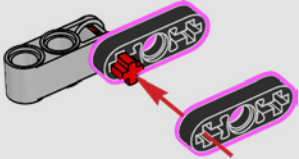


114

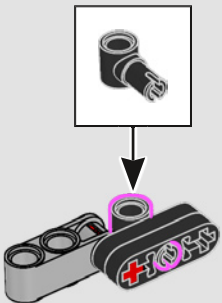
1



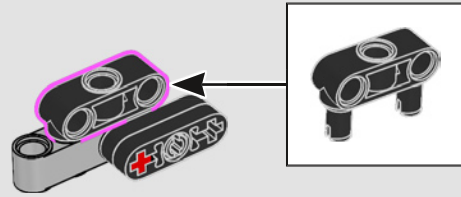
2



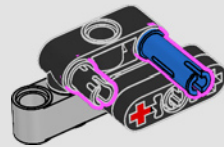
3



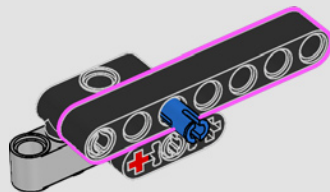
4



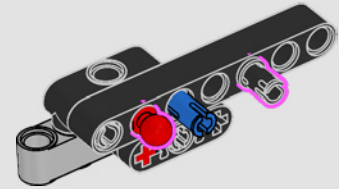
5



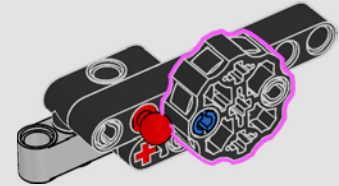
6



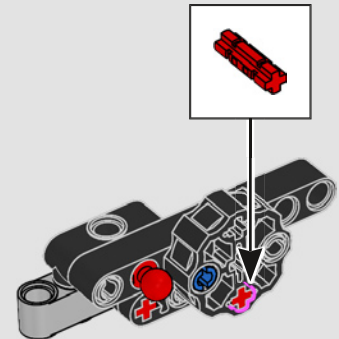
7



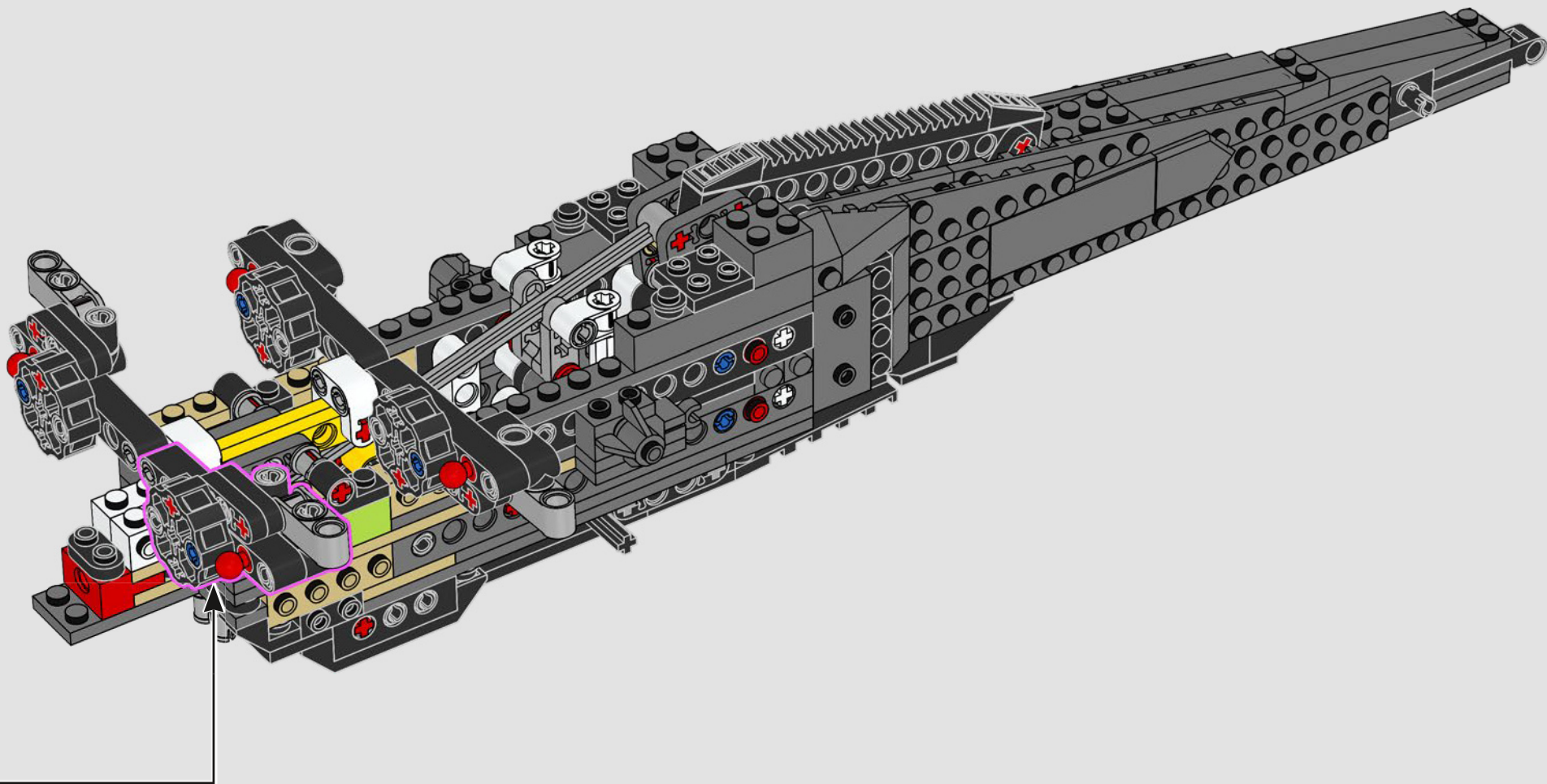
8

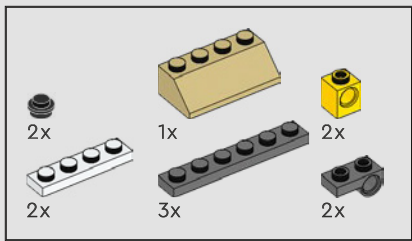


9

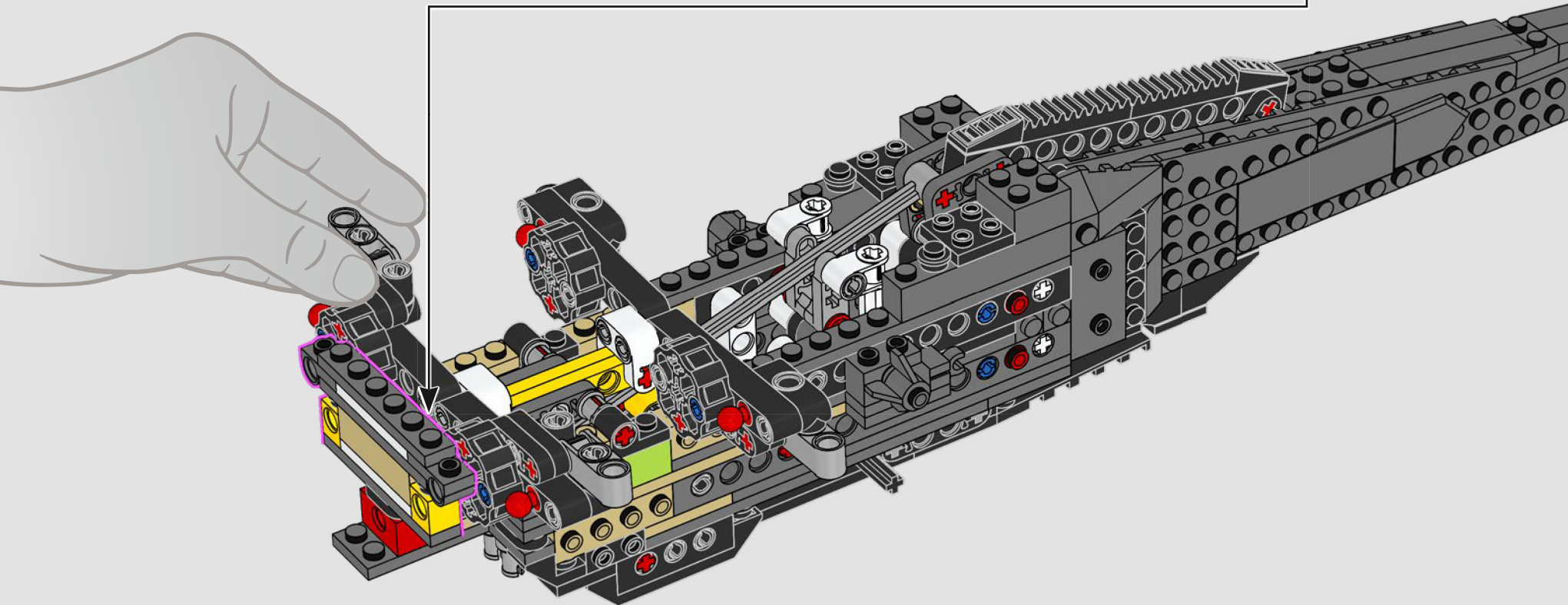
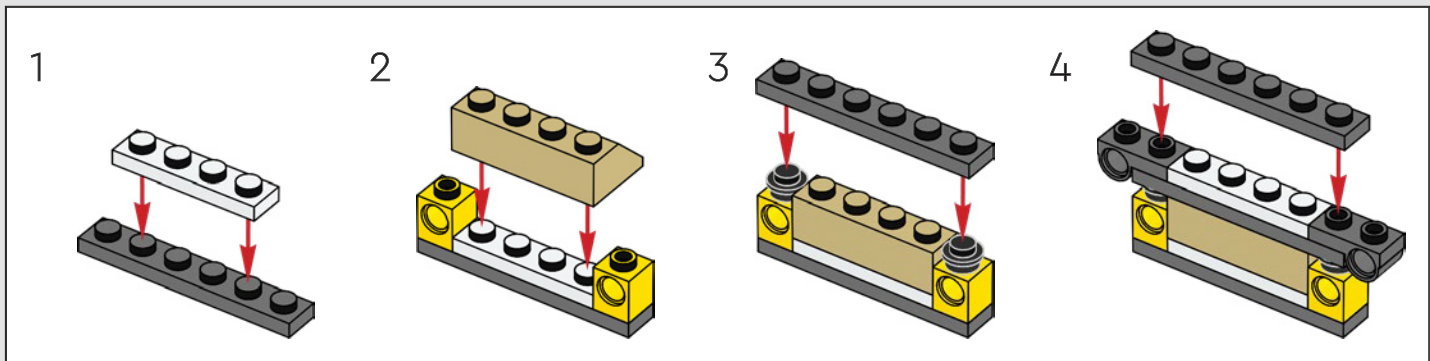


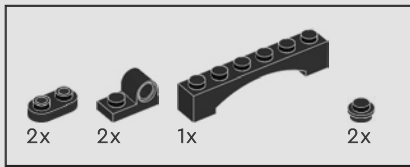






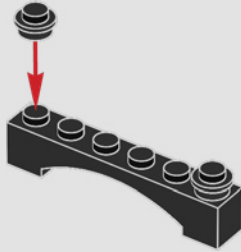
115



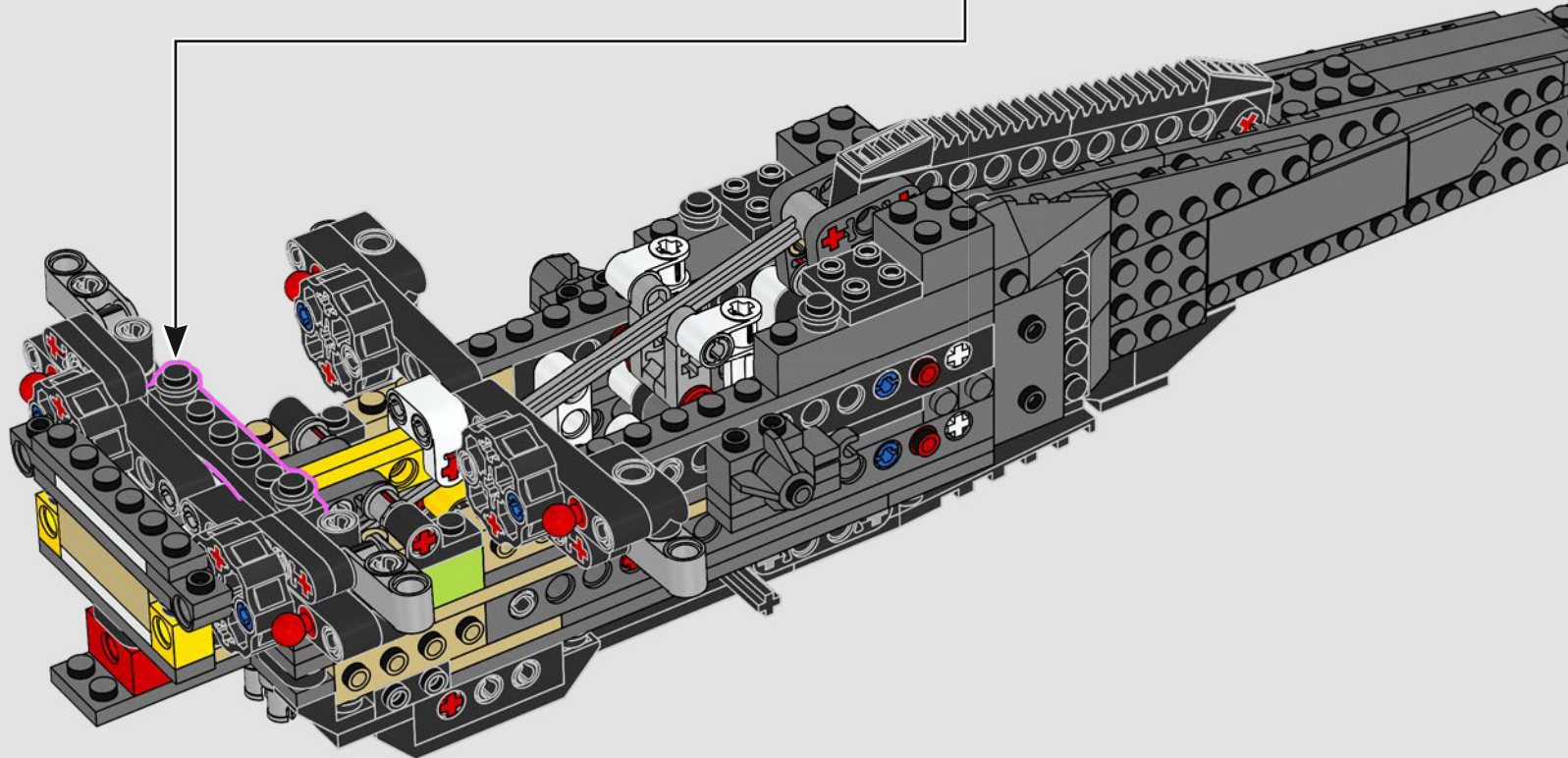
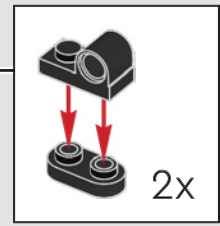
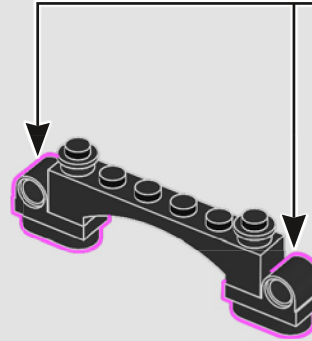


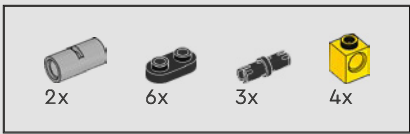
116

1

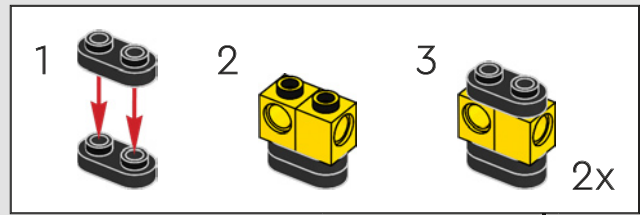


2

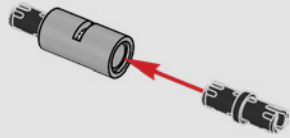




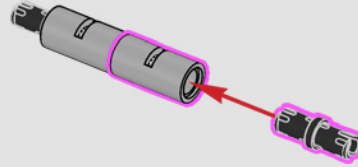
117



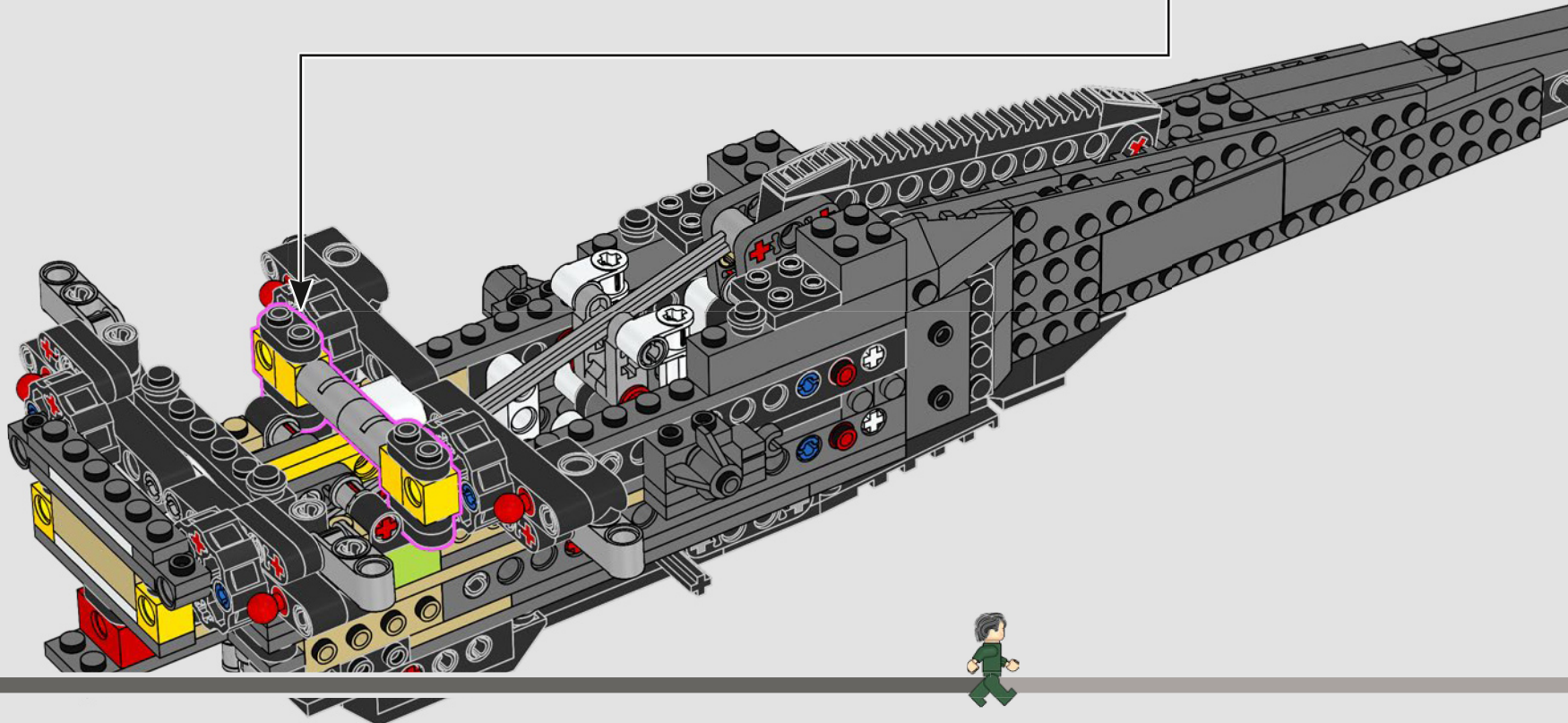
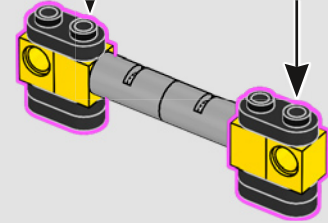
1

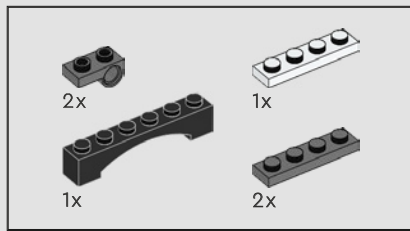


2

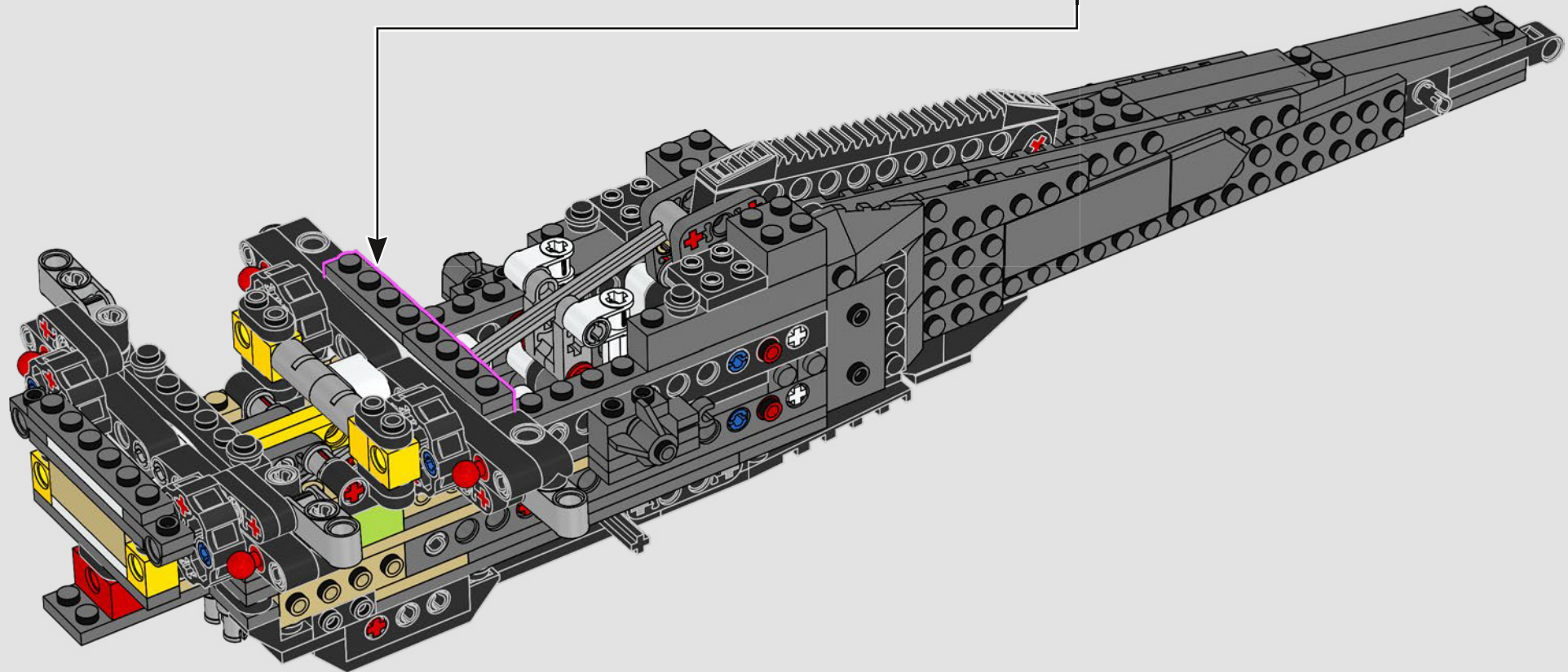
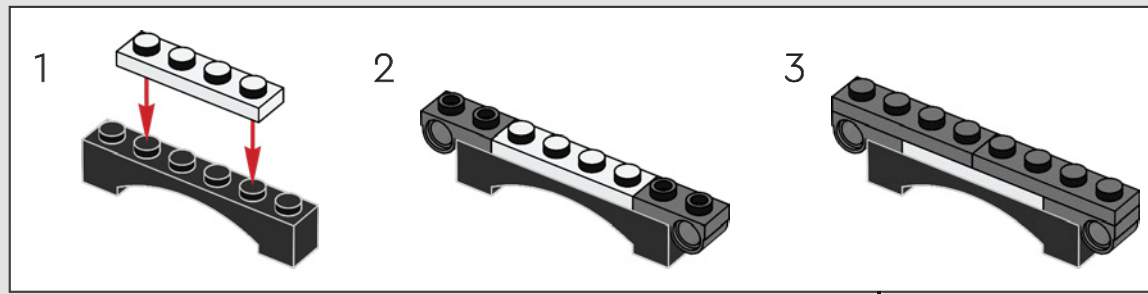


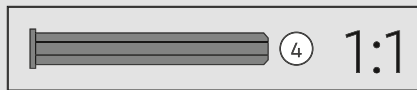
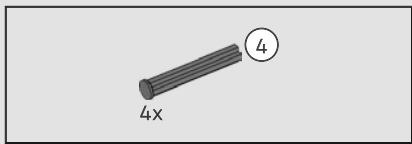
3



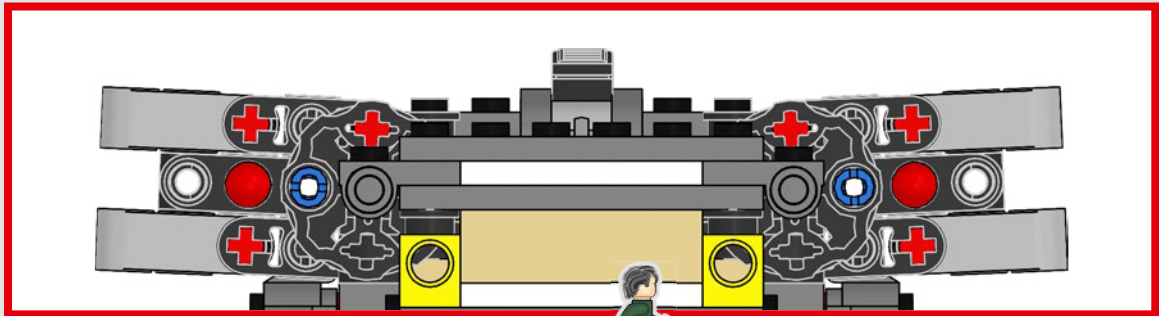
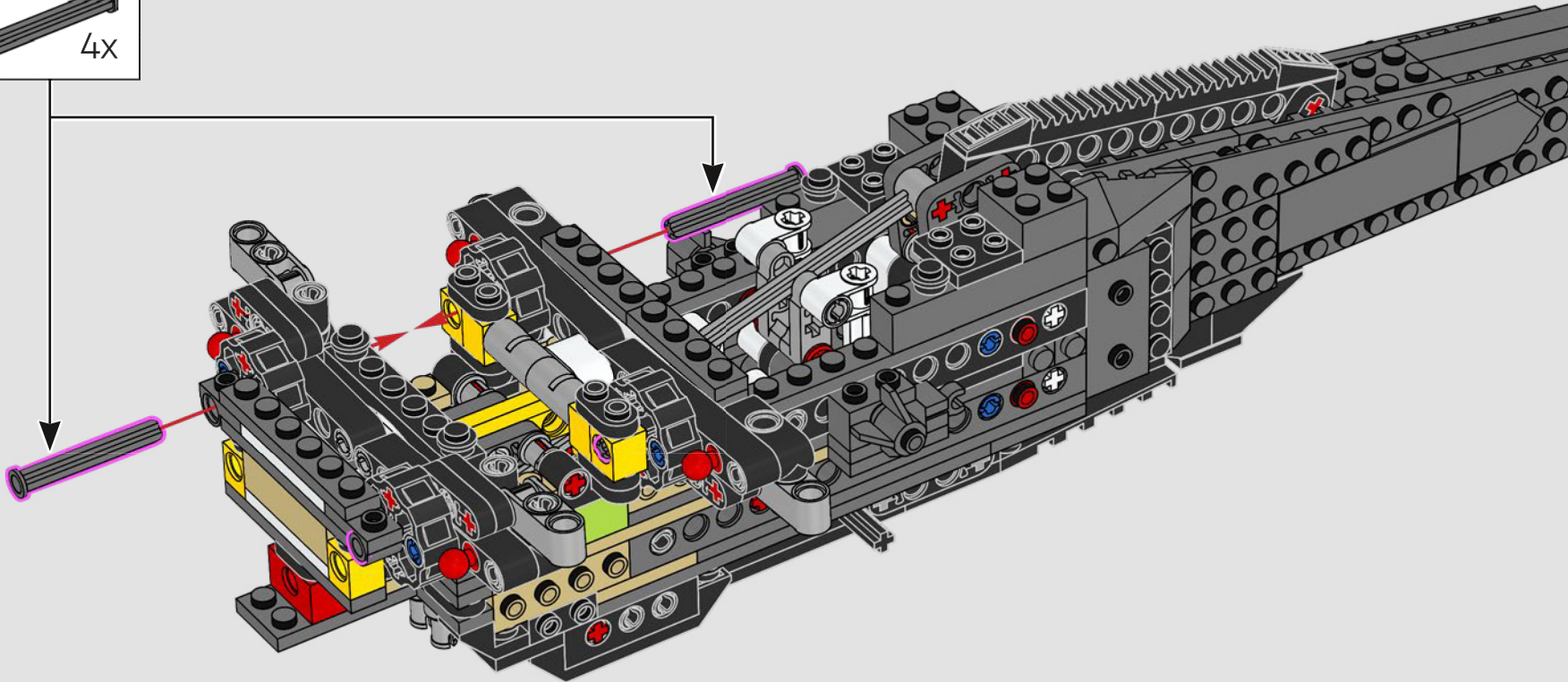
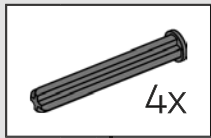


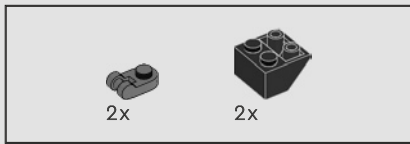
118



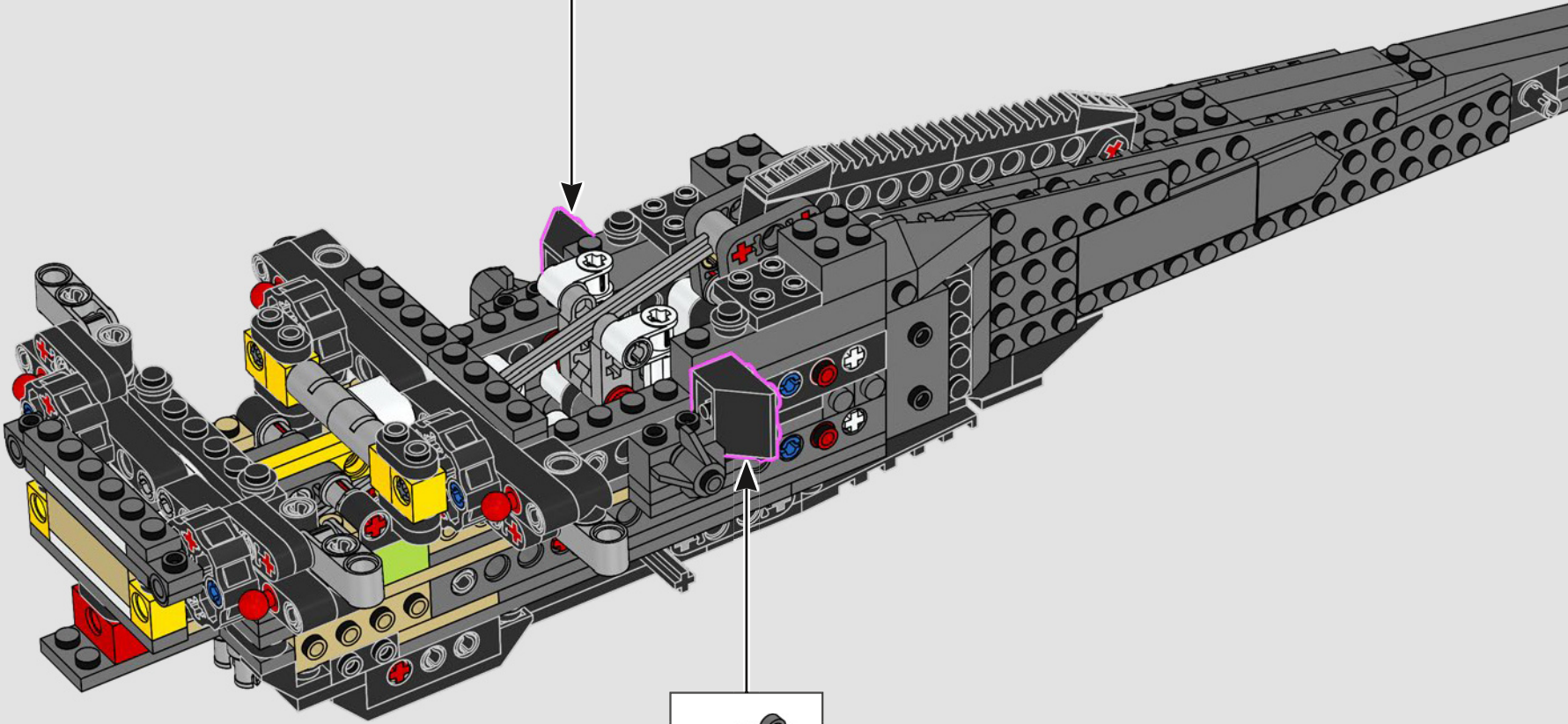
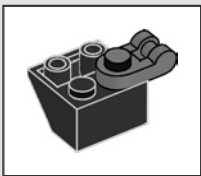


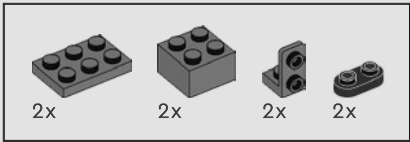
119



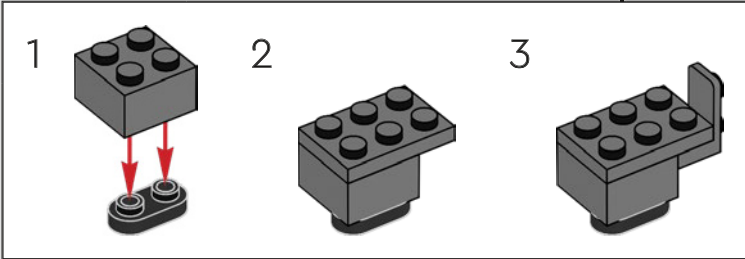
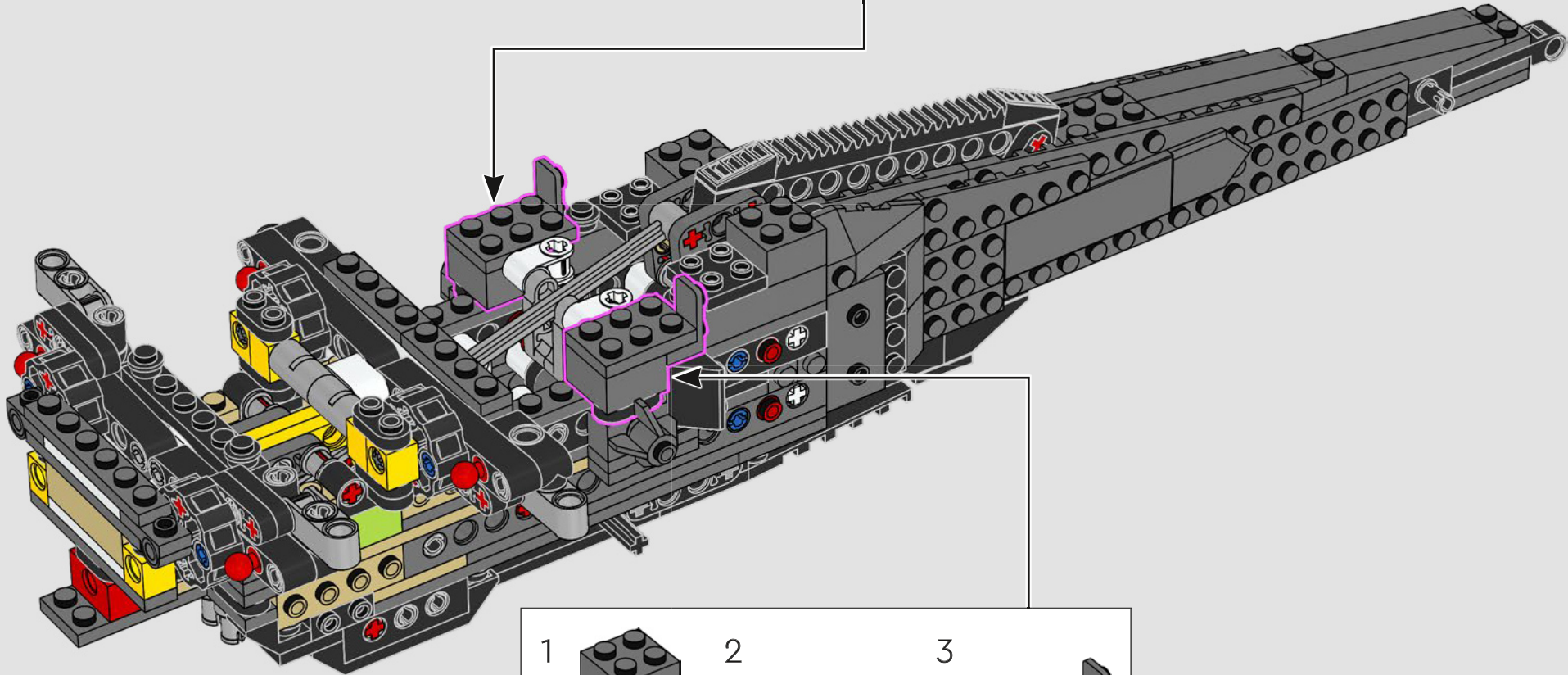
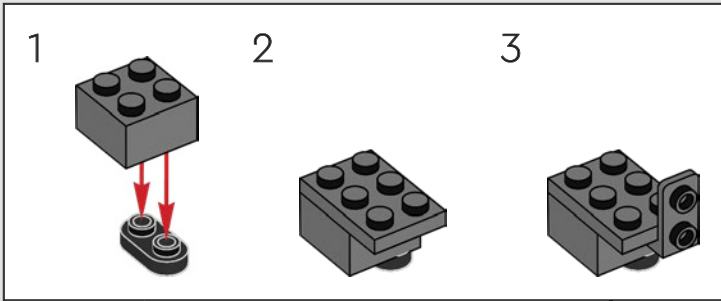


120

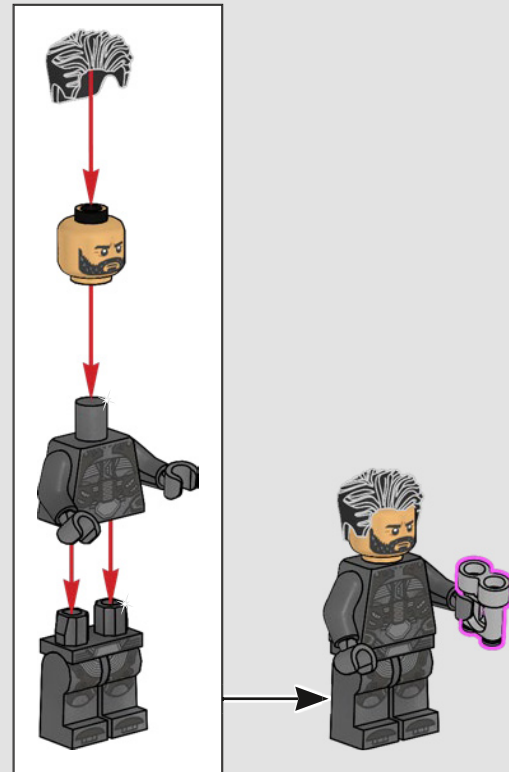




121

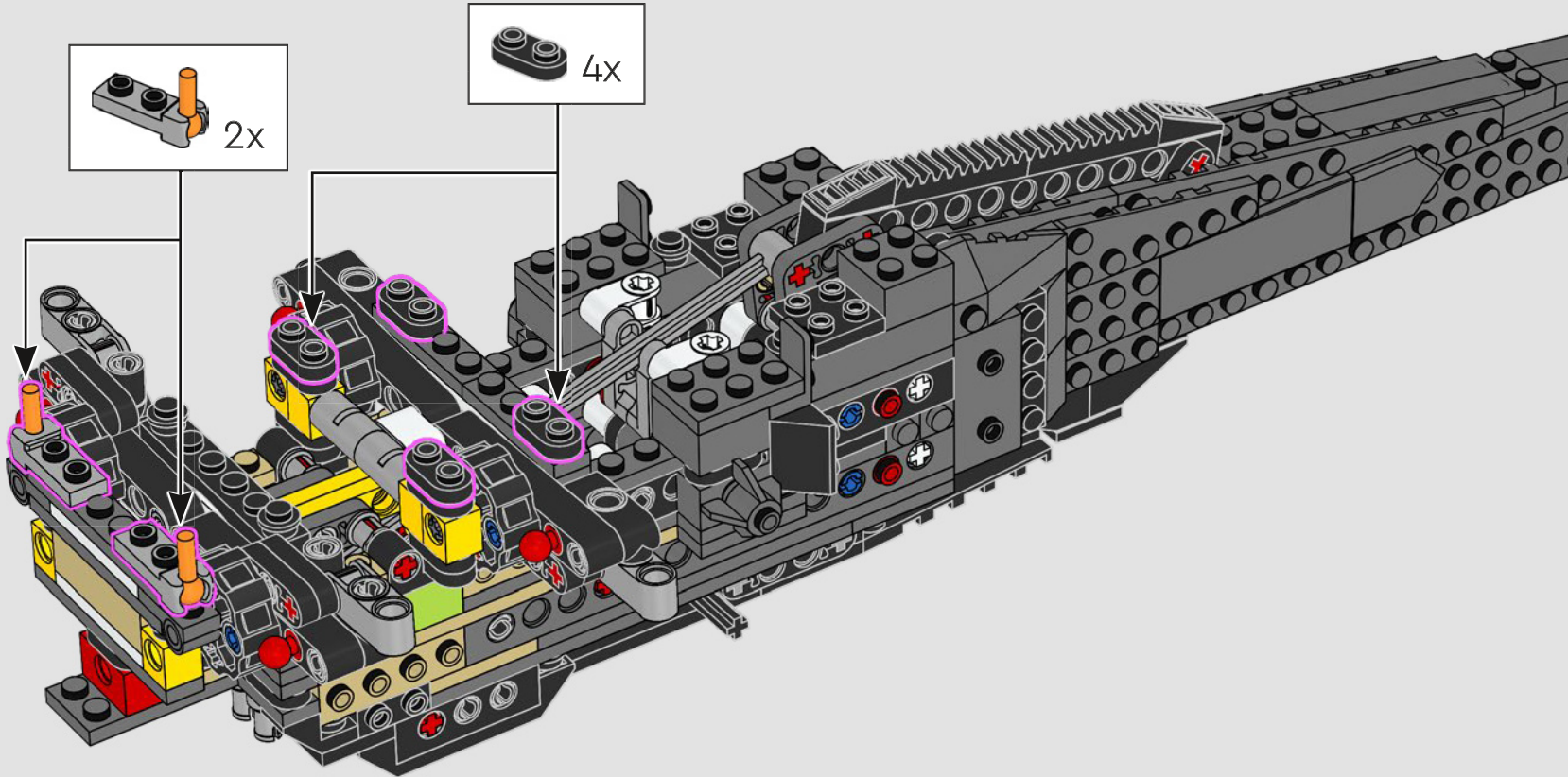






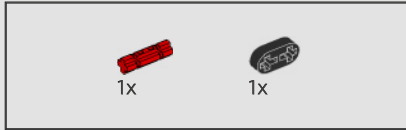
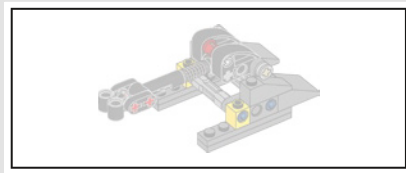


122





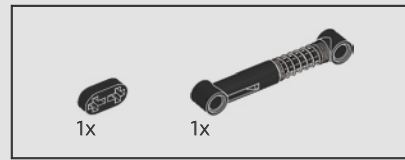
Activating this lever will extend and retract the wings of the craft.



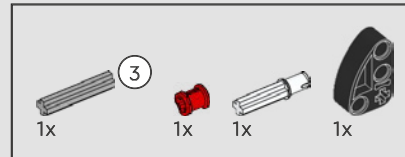
123



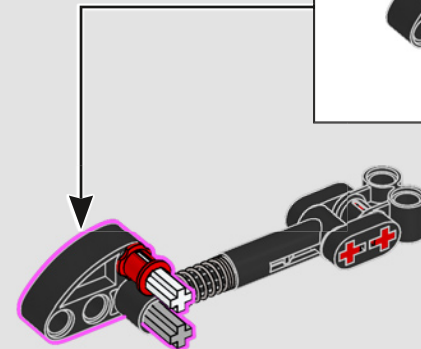
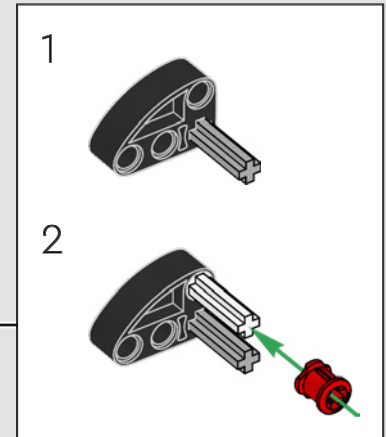
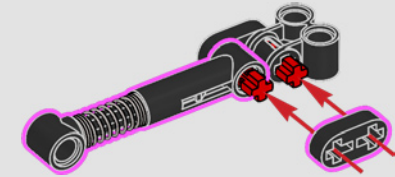
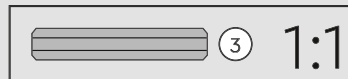
124



125

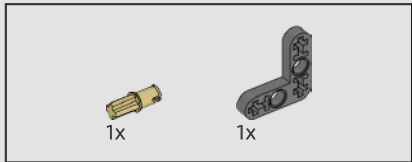
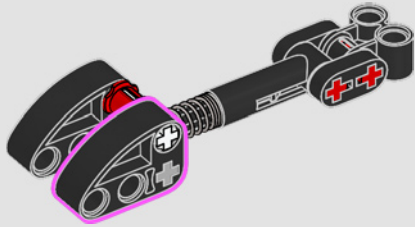


126

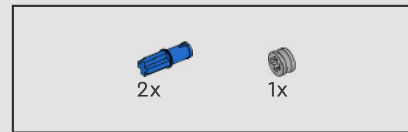
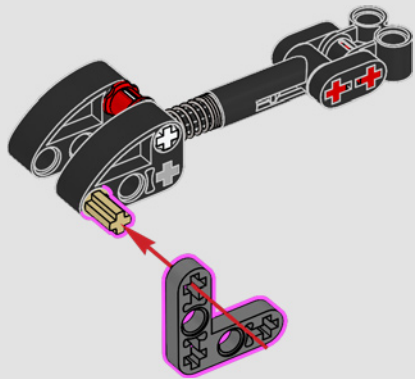




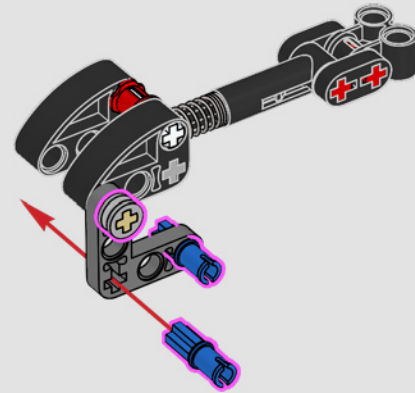
127

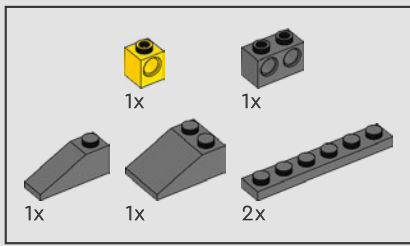


128

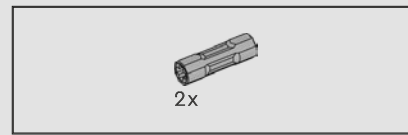
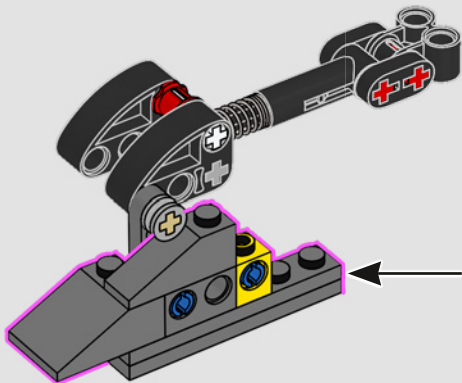
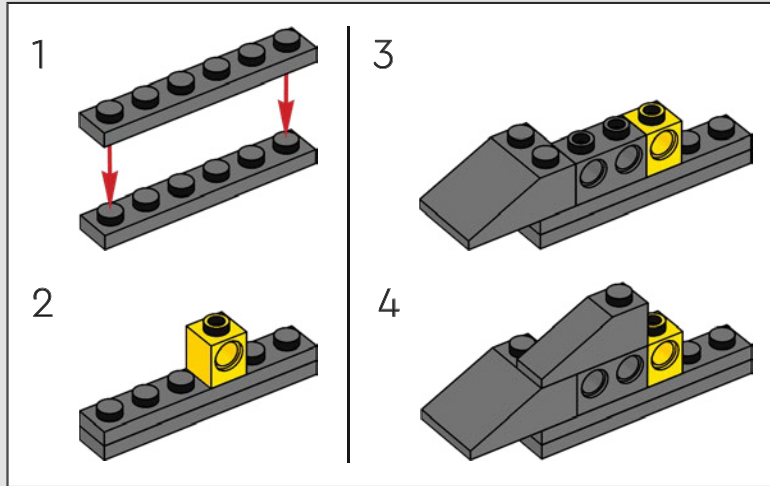


129

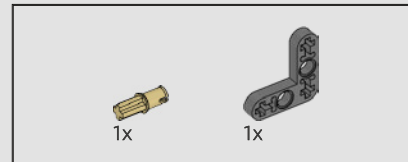
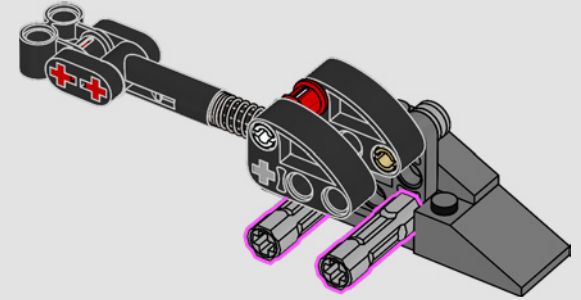




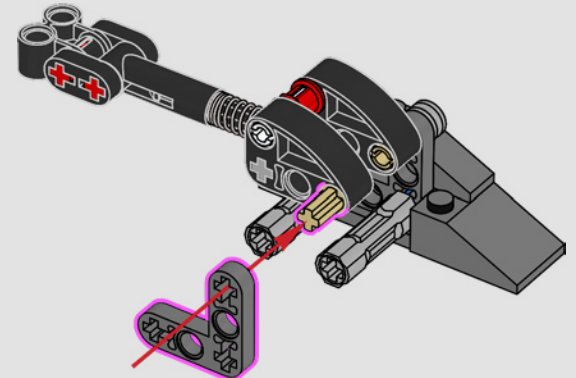
130

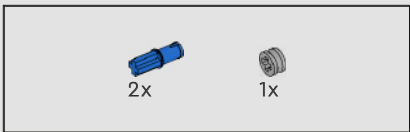


131

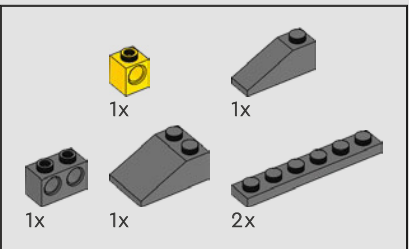
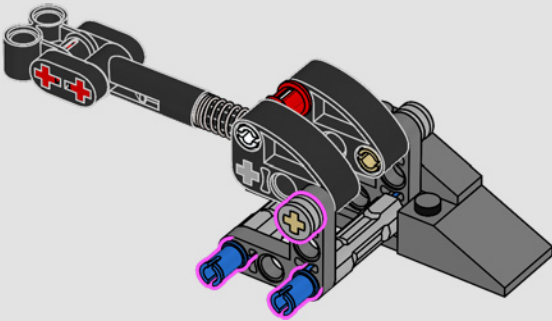


132

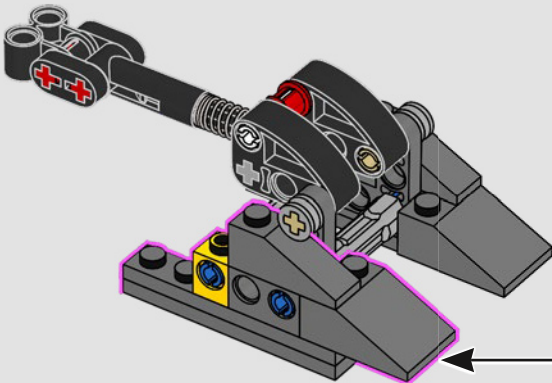
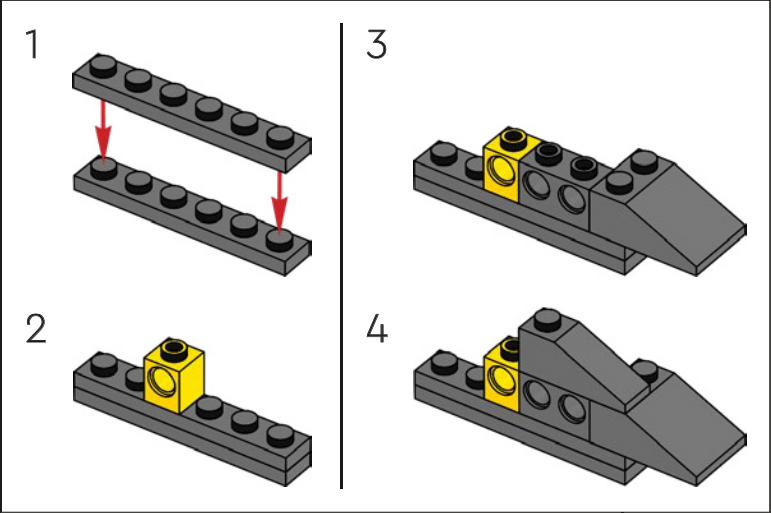




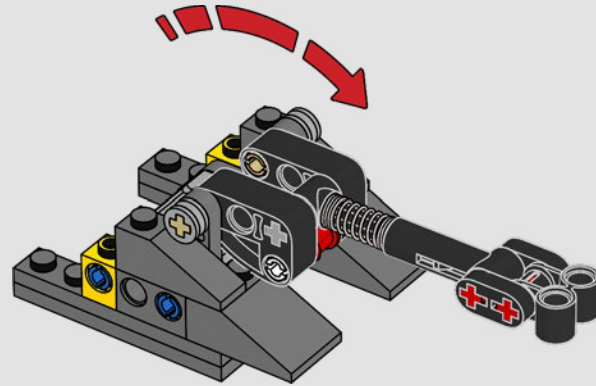
133



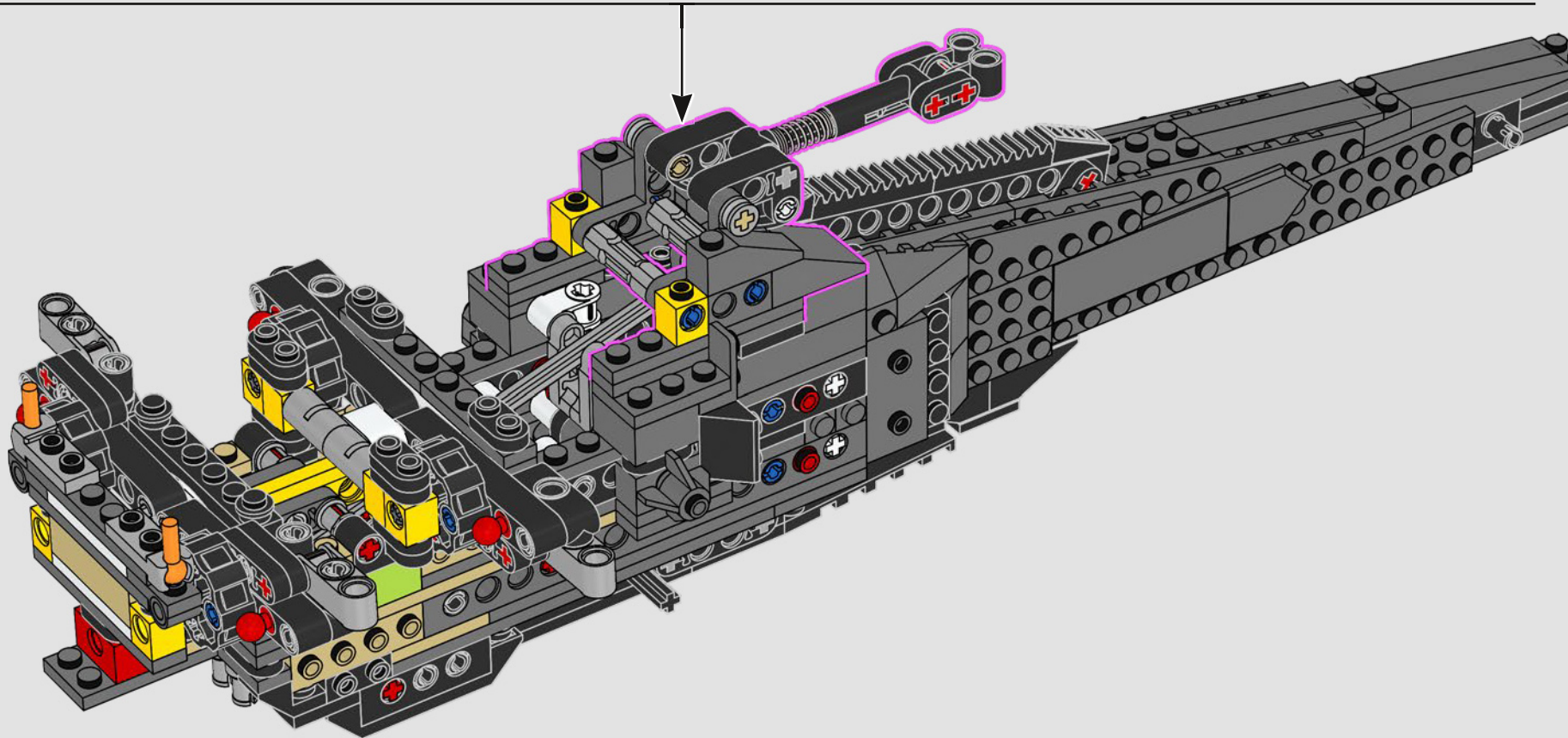
134

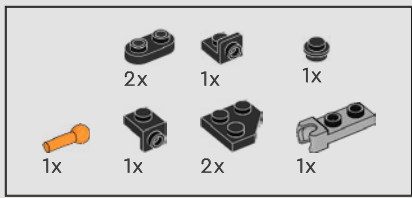


135

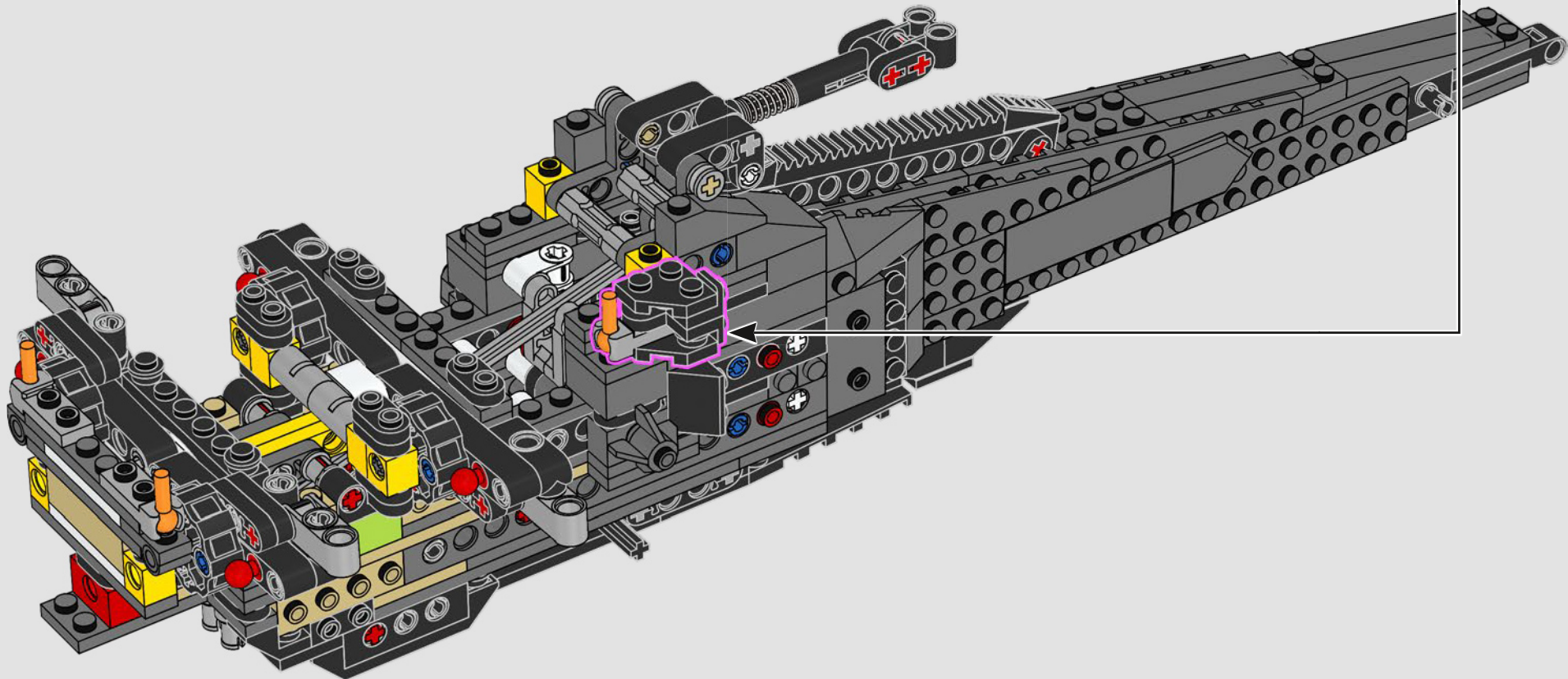
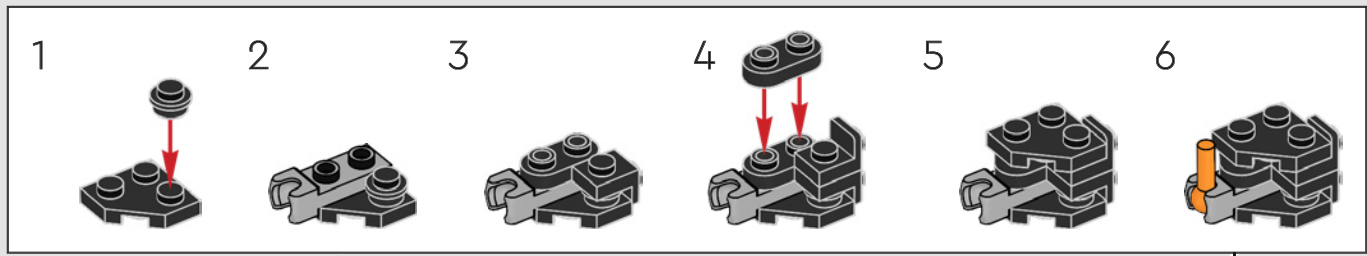


136



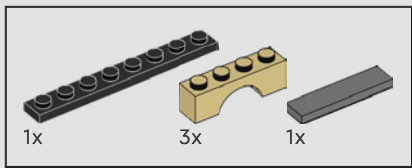


137

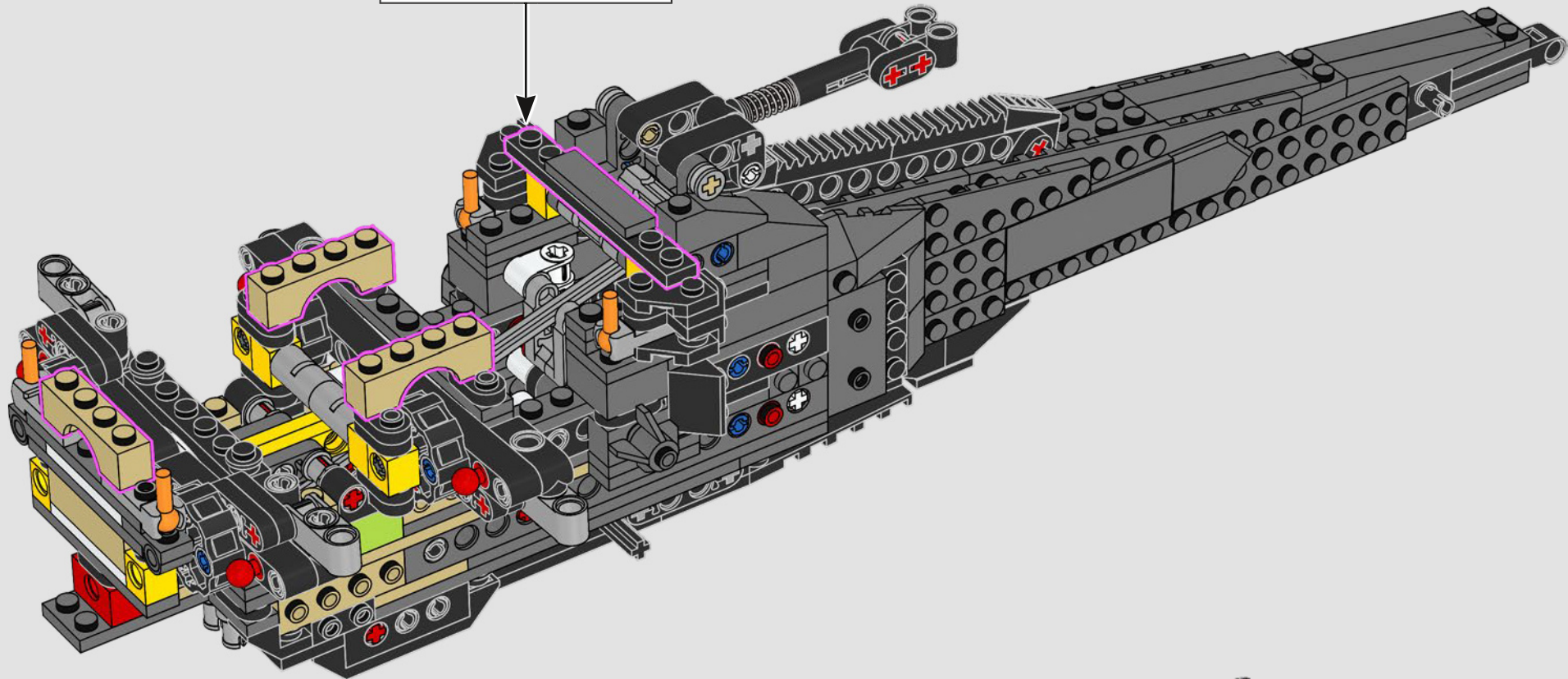
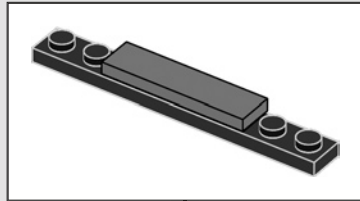


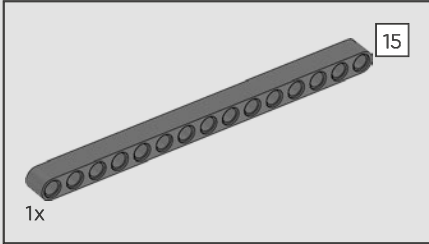
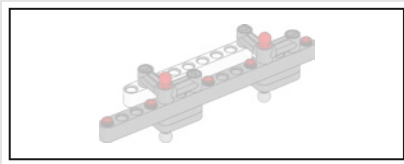




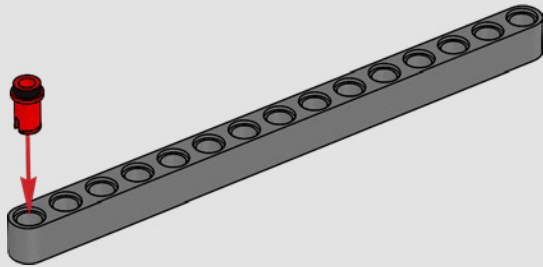


139

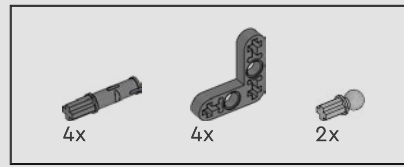
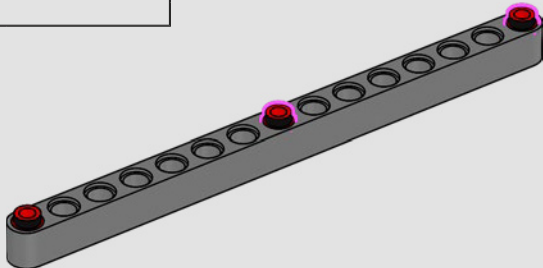




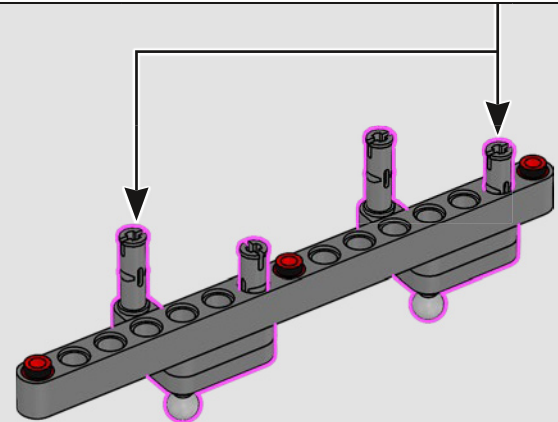
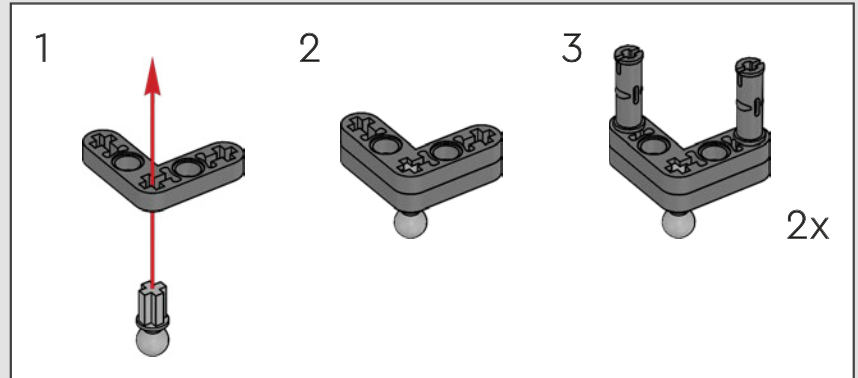
140



141



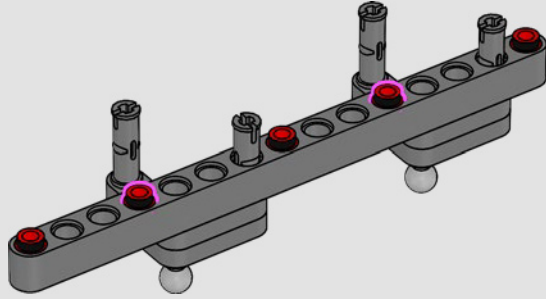
142





2x

143



2x

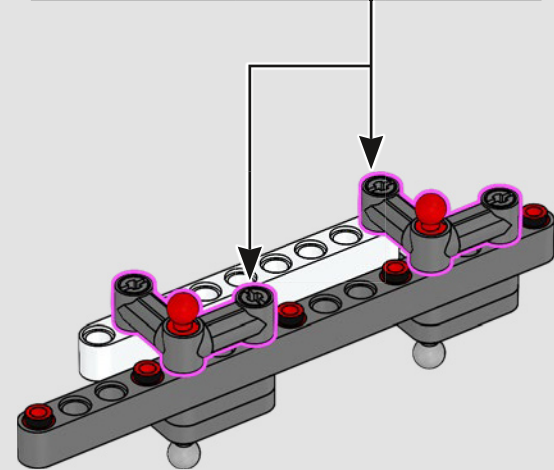
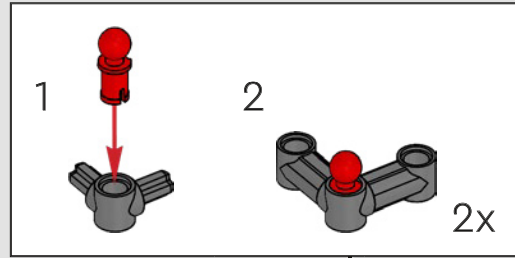


4x

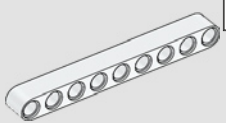


2x

145

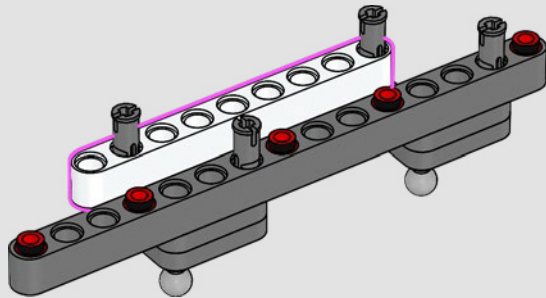


9



1x

144

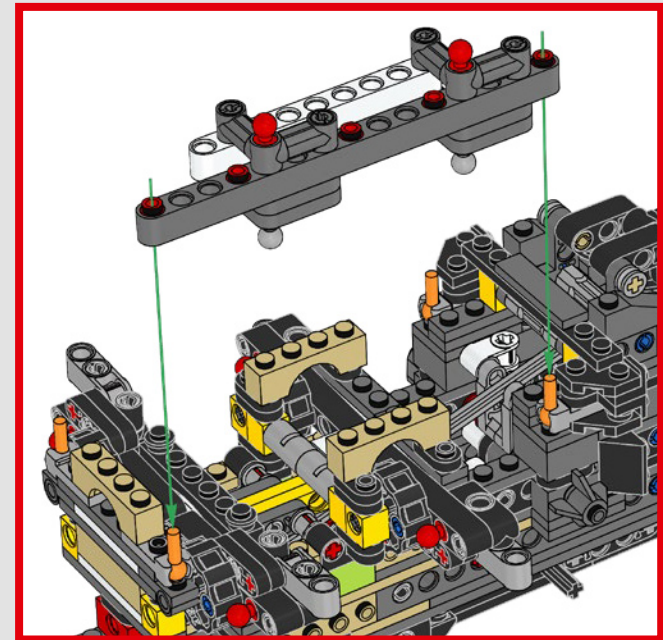
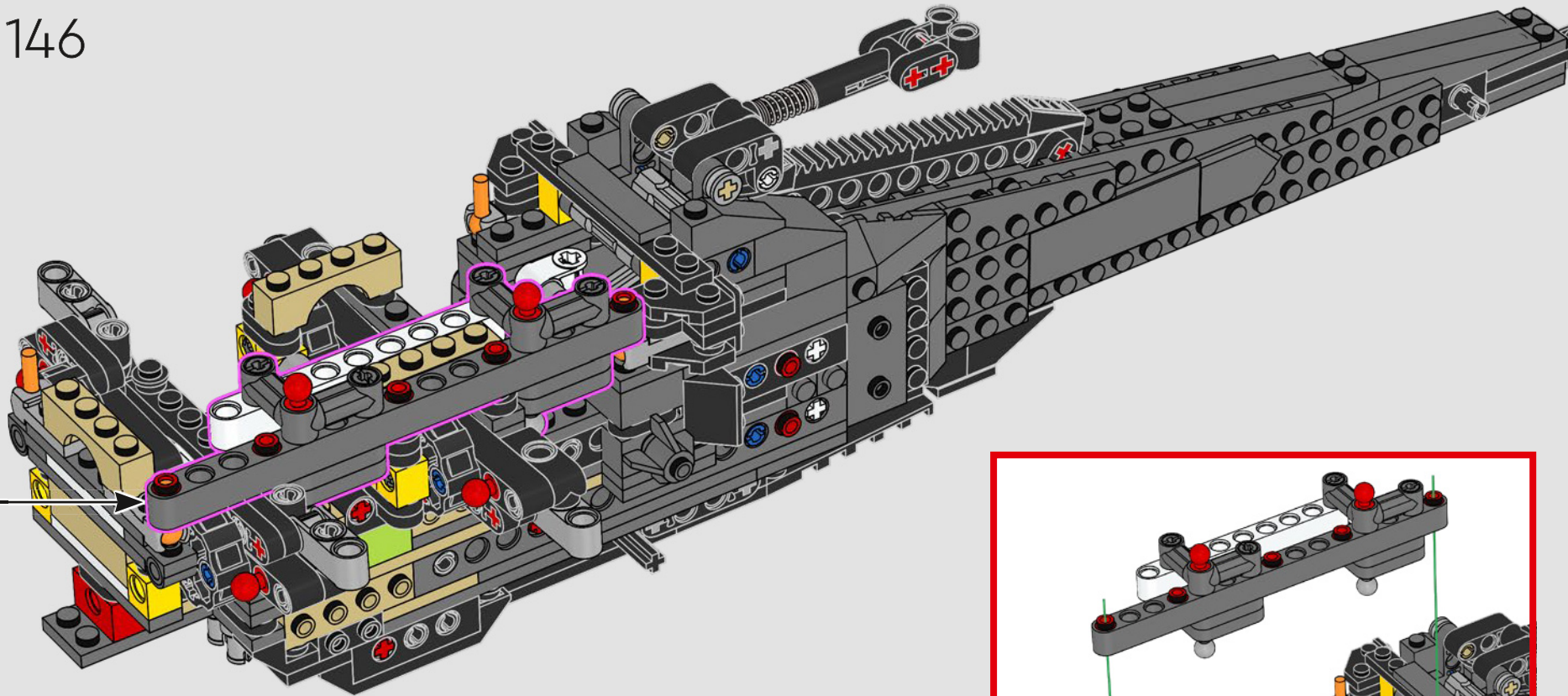


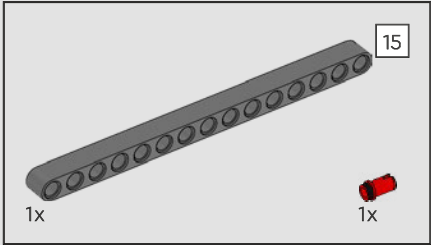
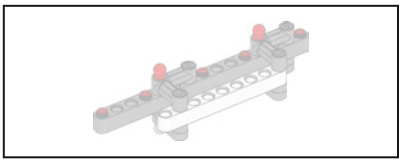
9

1:1

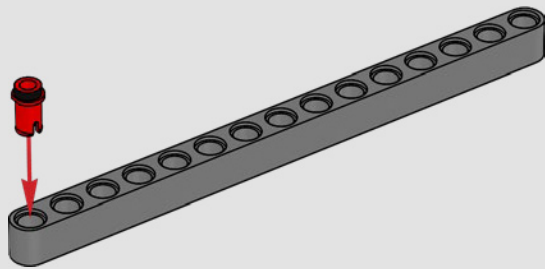


146

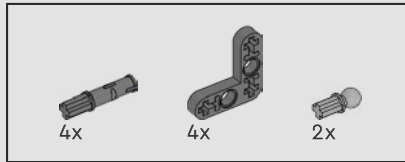
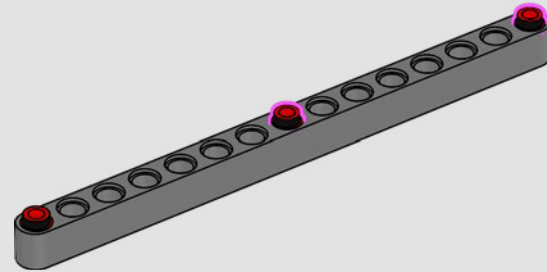




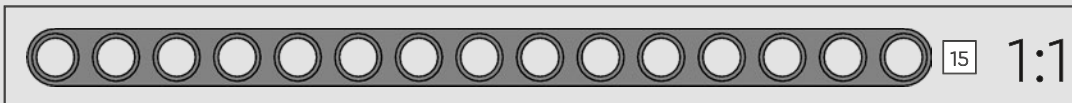
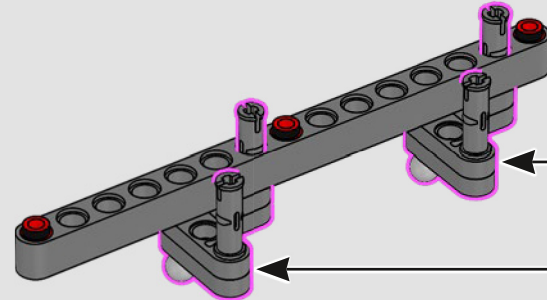
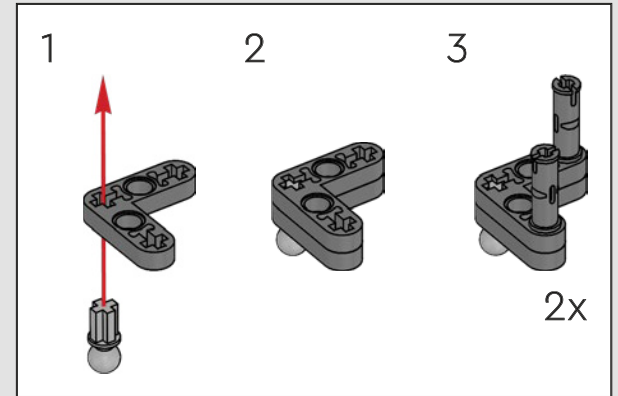
147



148

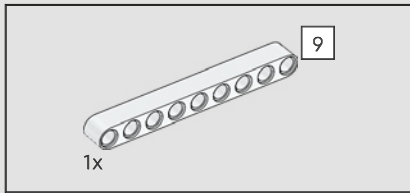
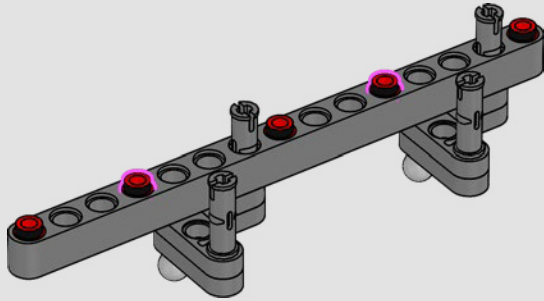


149

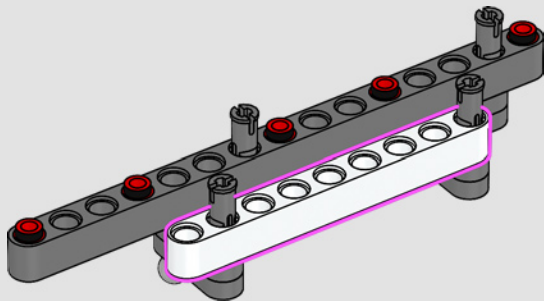




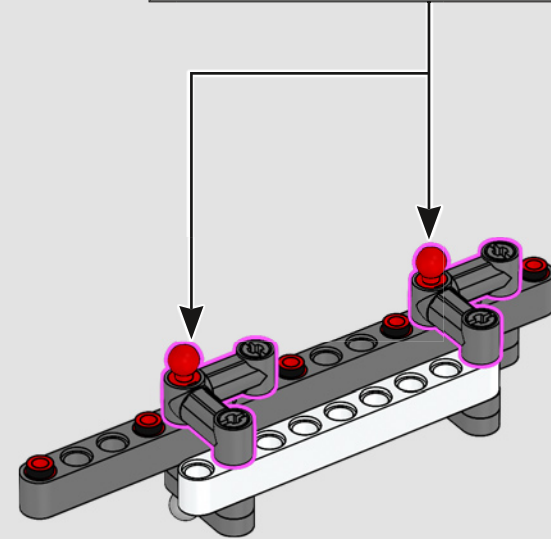
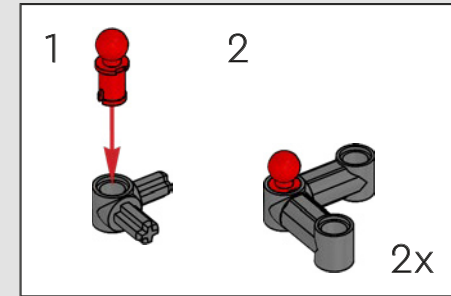
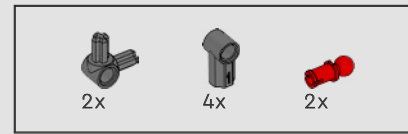
150



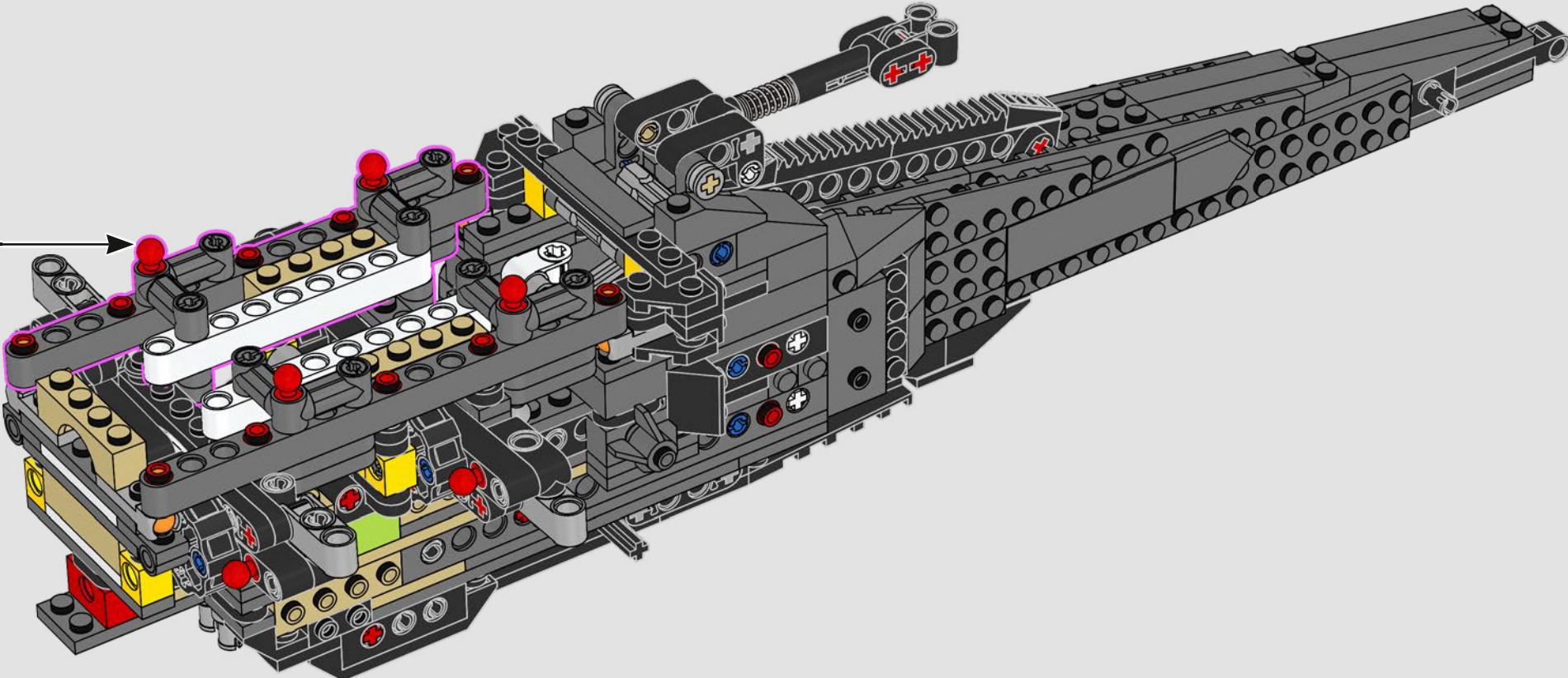
151



152

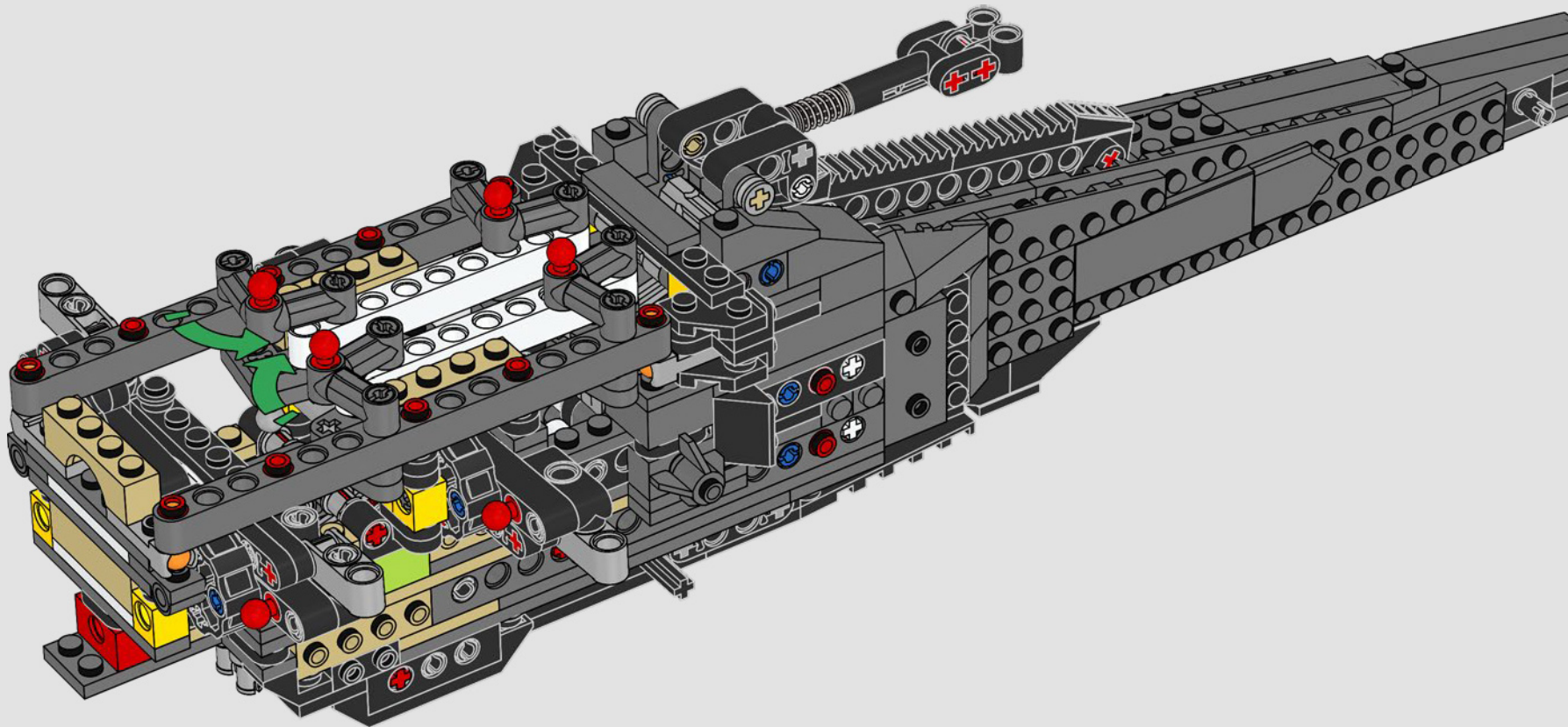


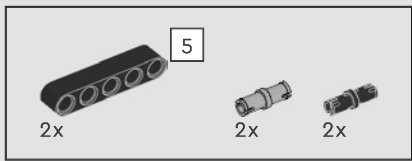
153



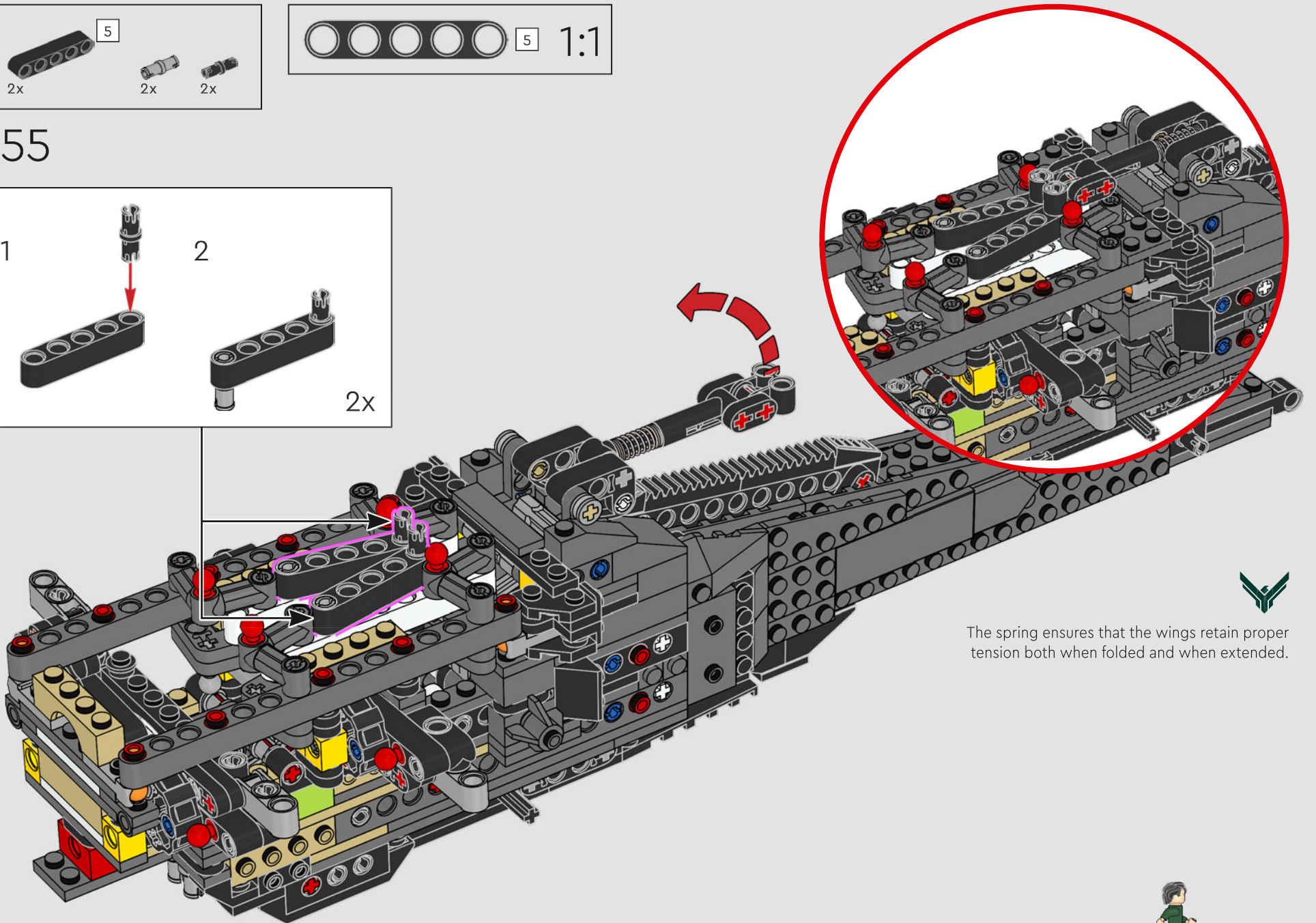
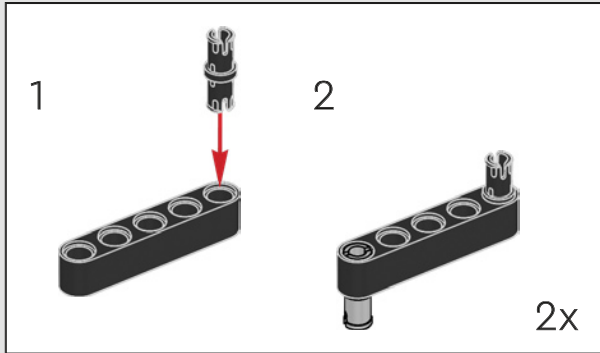


154





155

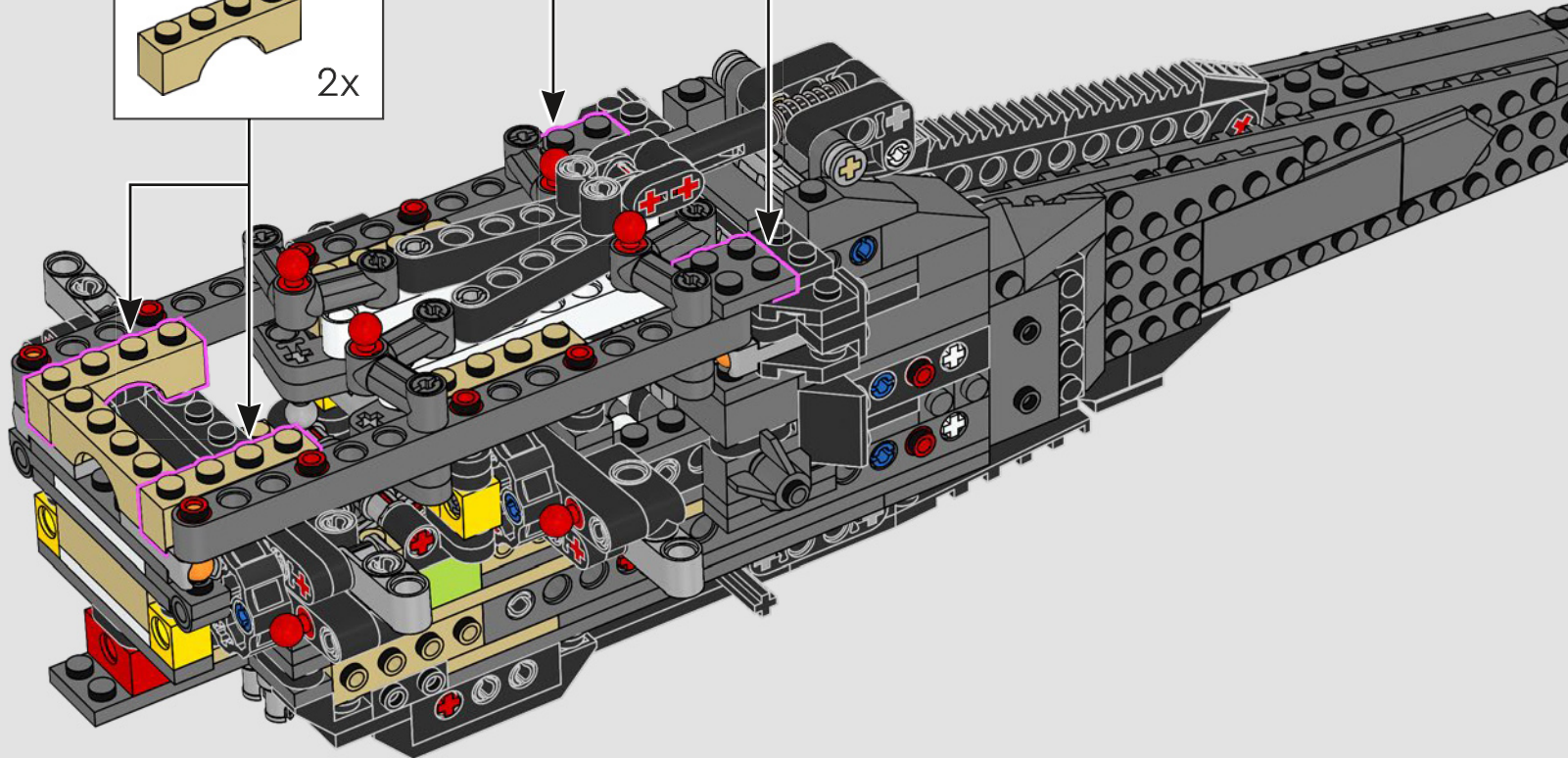
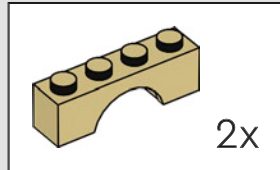
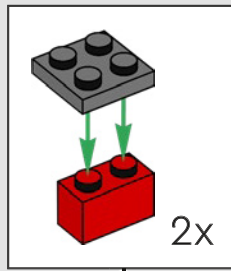


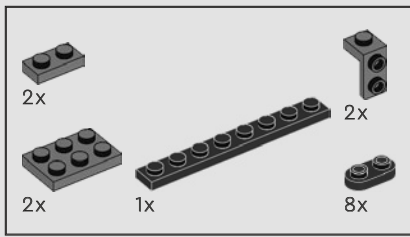
The spring ensures that the wings retain proper tension both when folded and when extended.



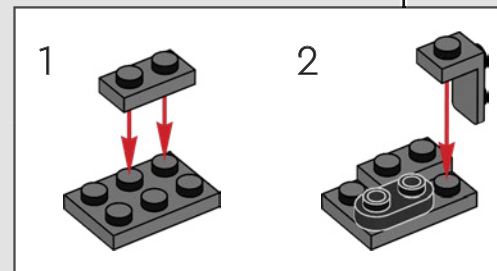
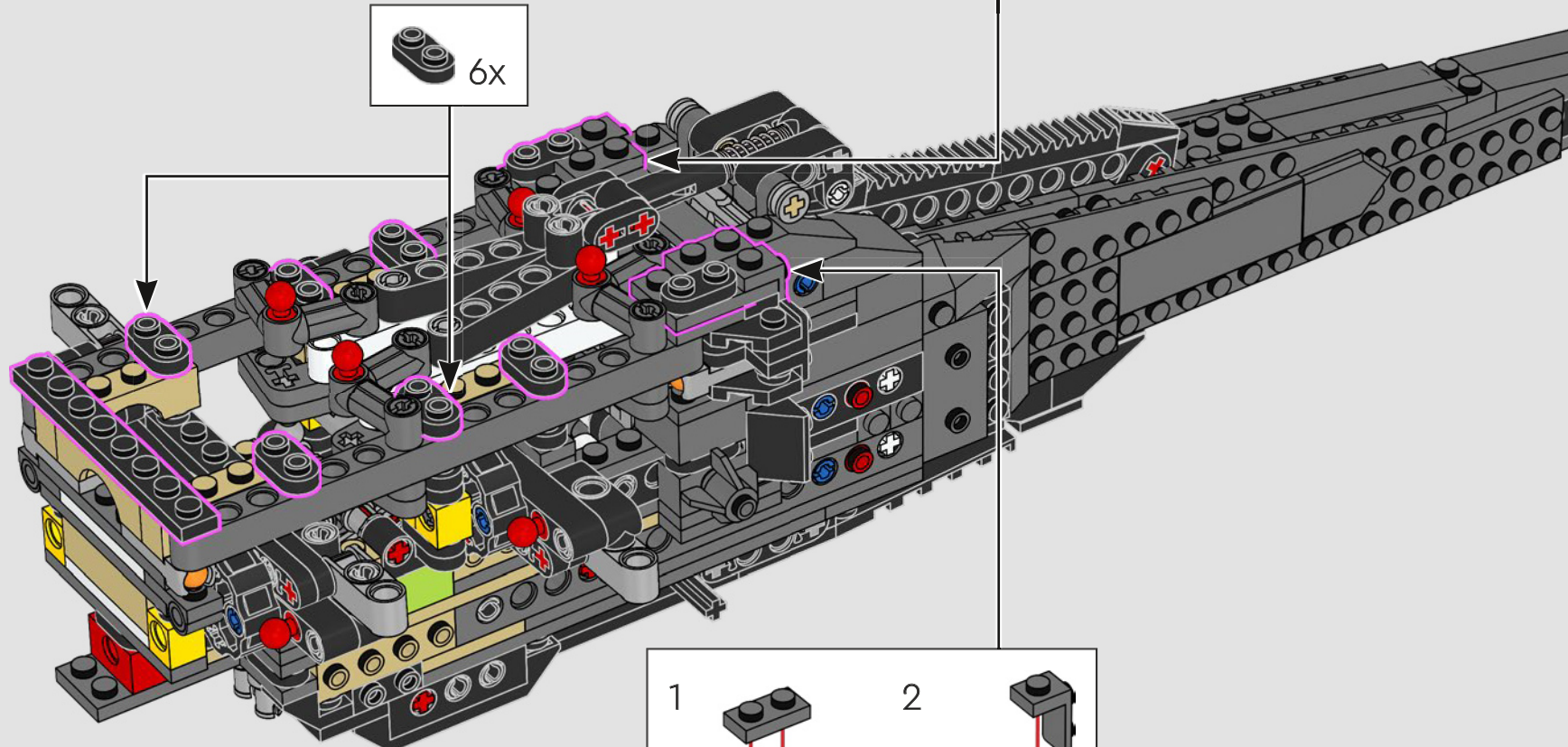
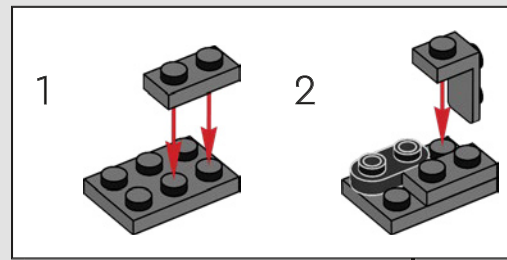


156



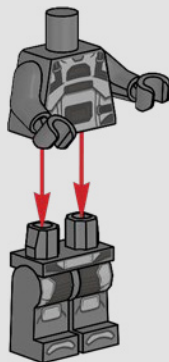


157

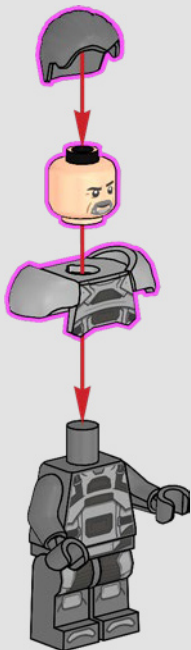




1

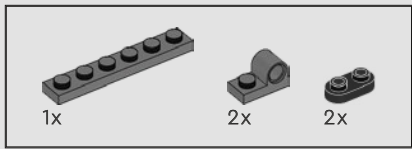


2

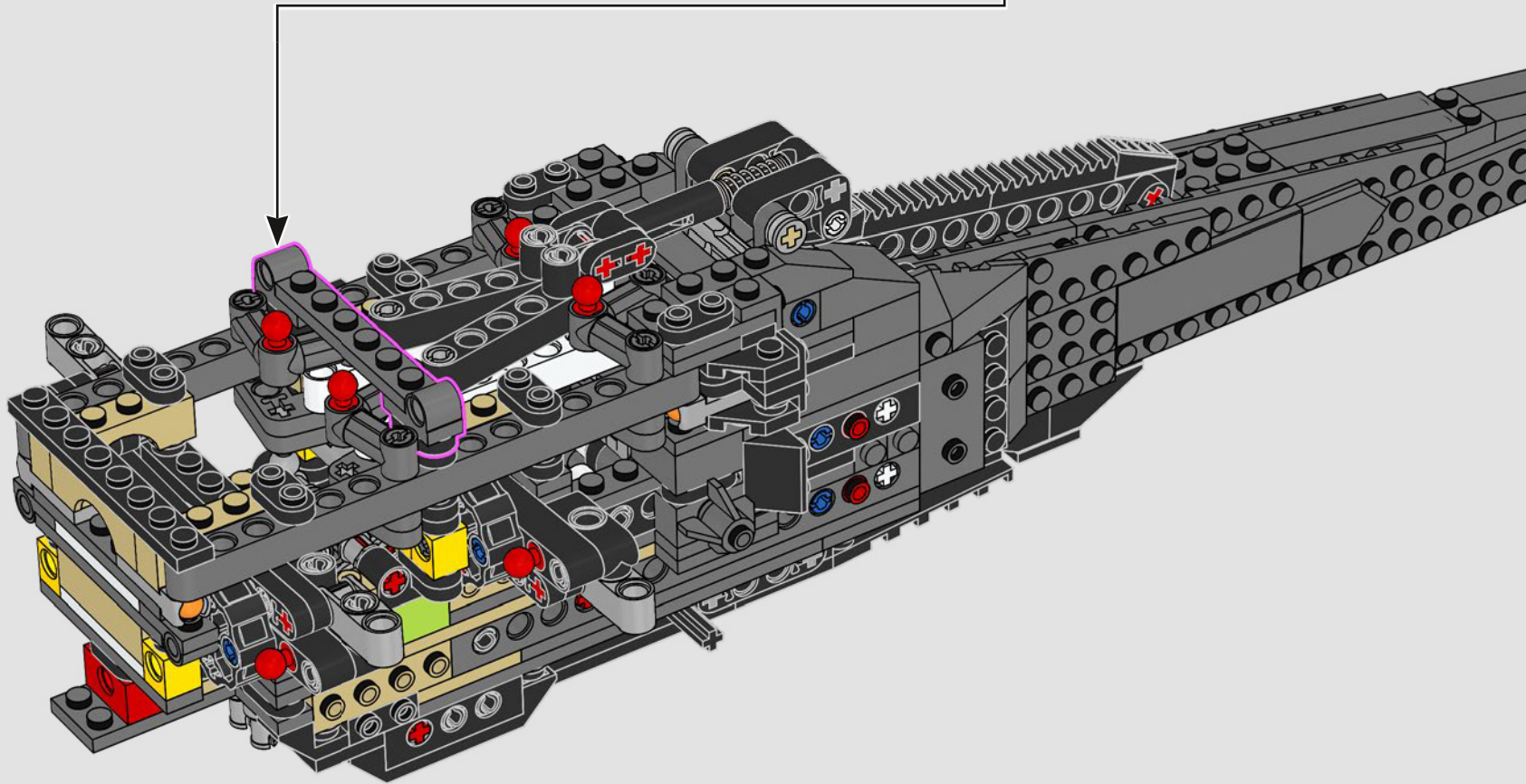
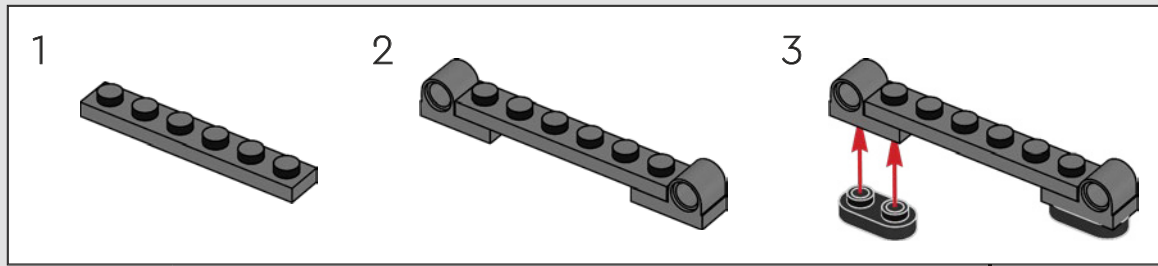


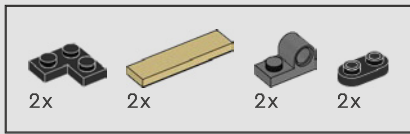
3



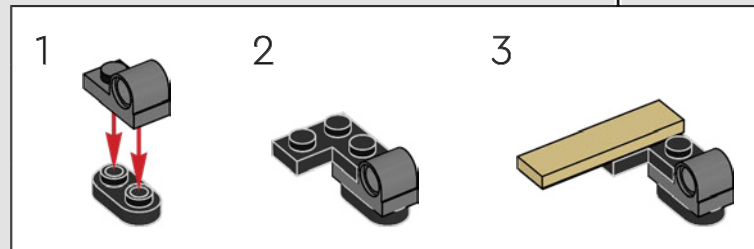
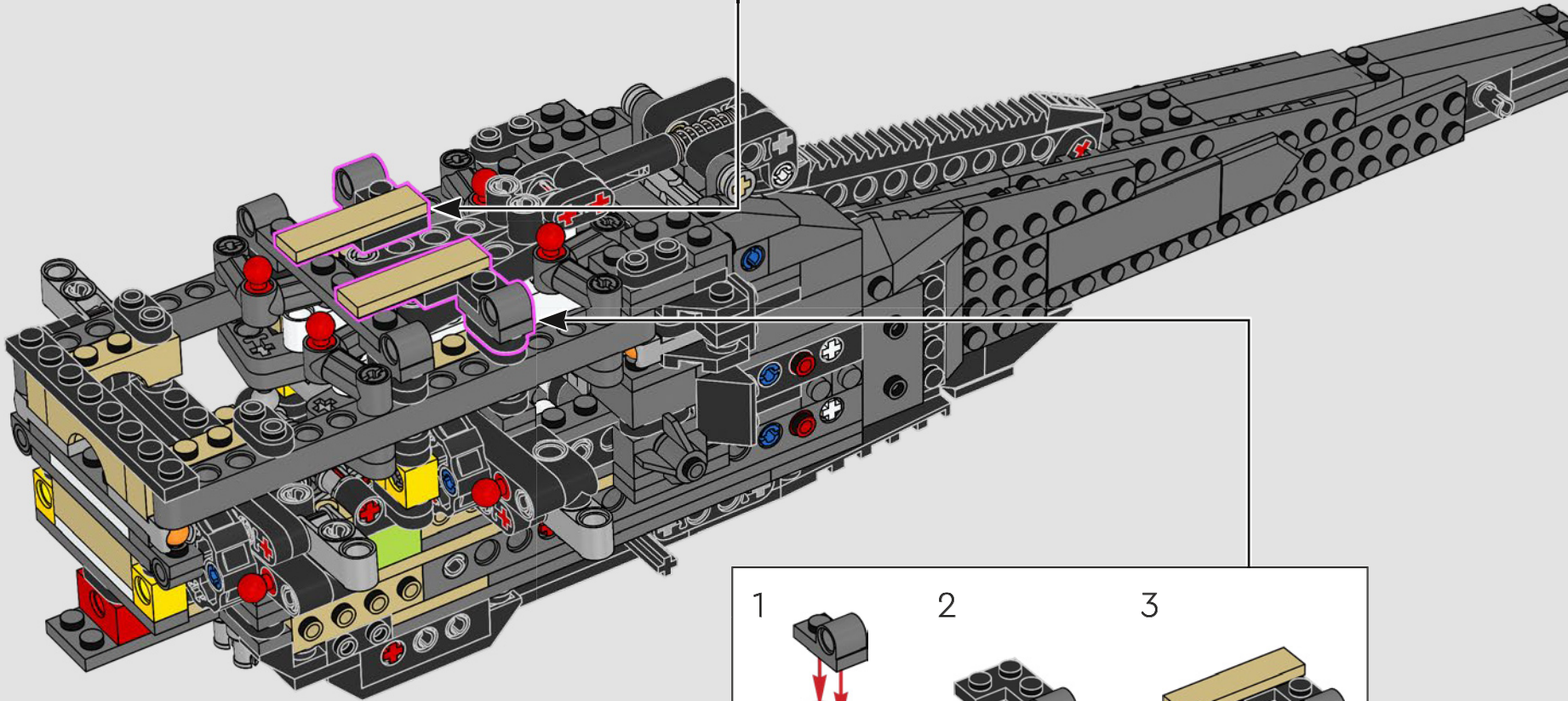
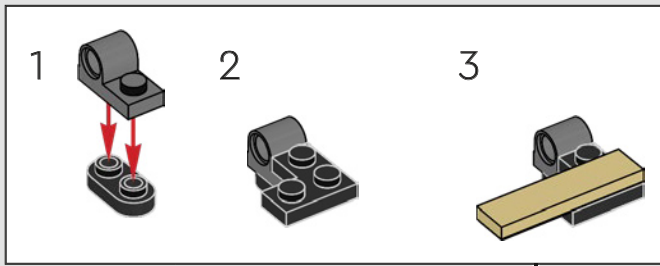


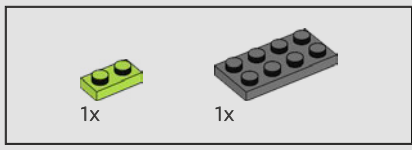
158



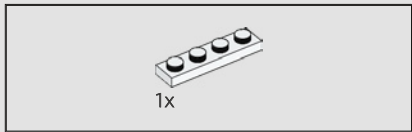
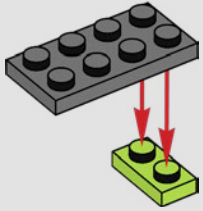


159

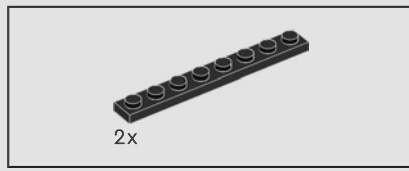
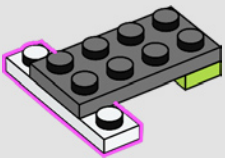




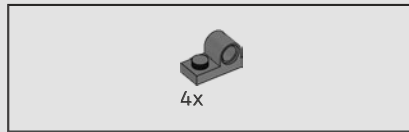
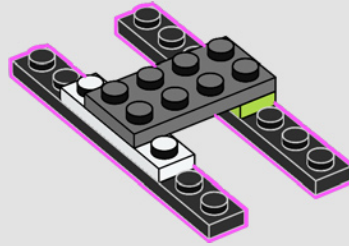
160



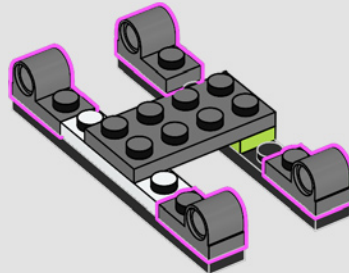
161



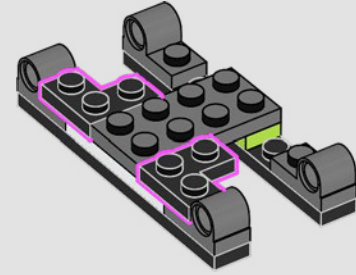
162



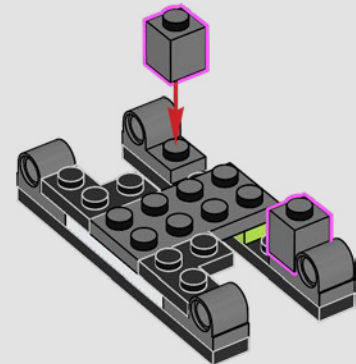
163



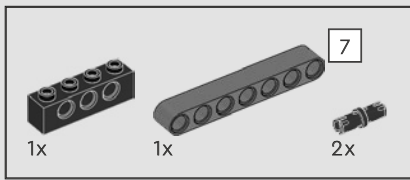
164



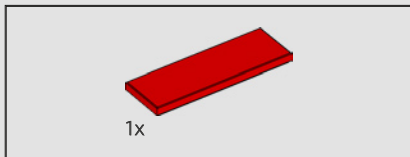
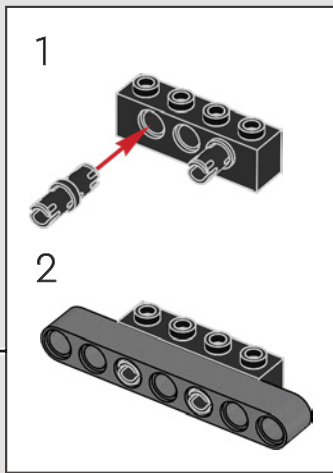
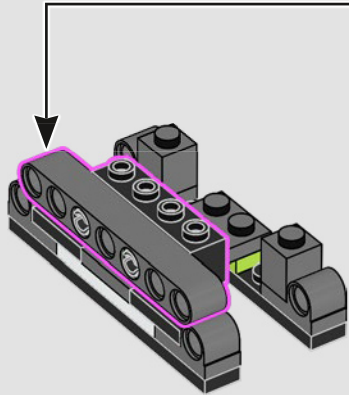
165



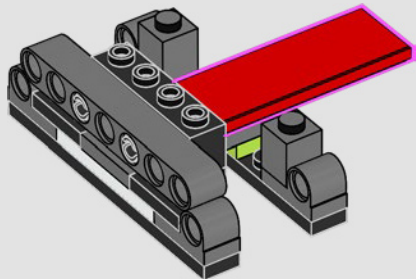




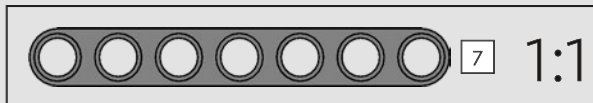
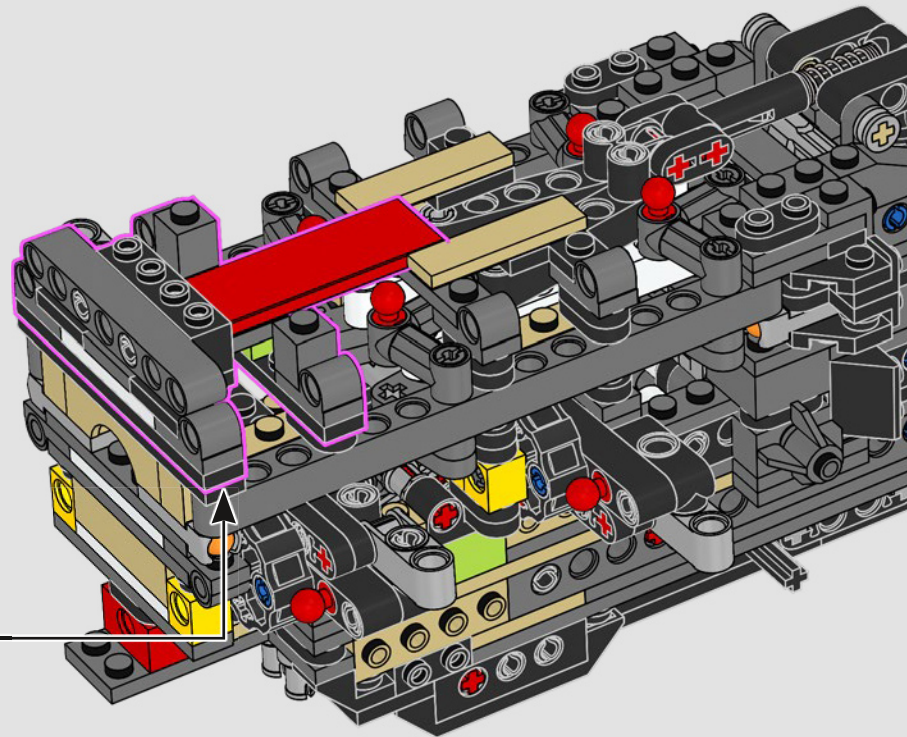
166

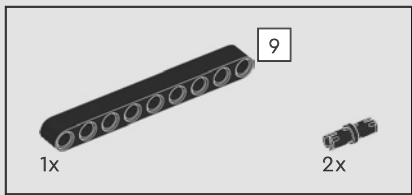


167

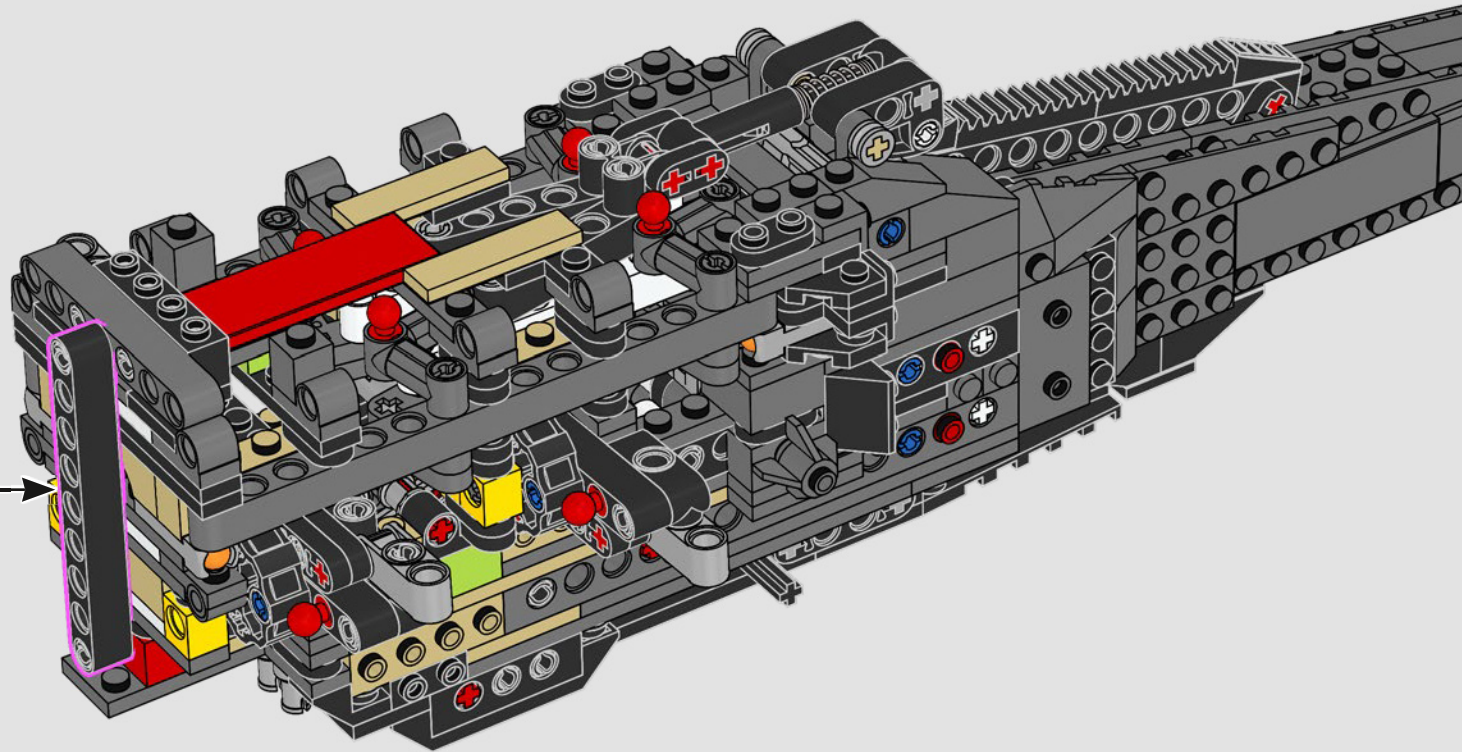
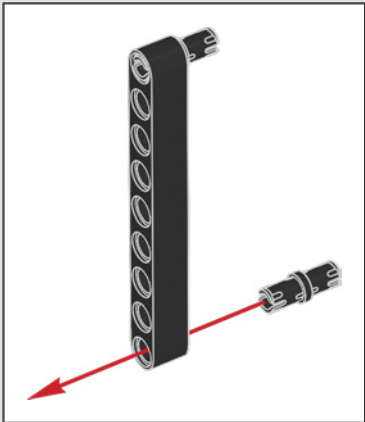


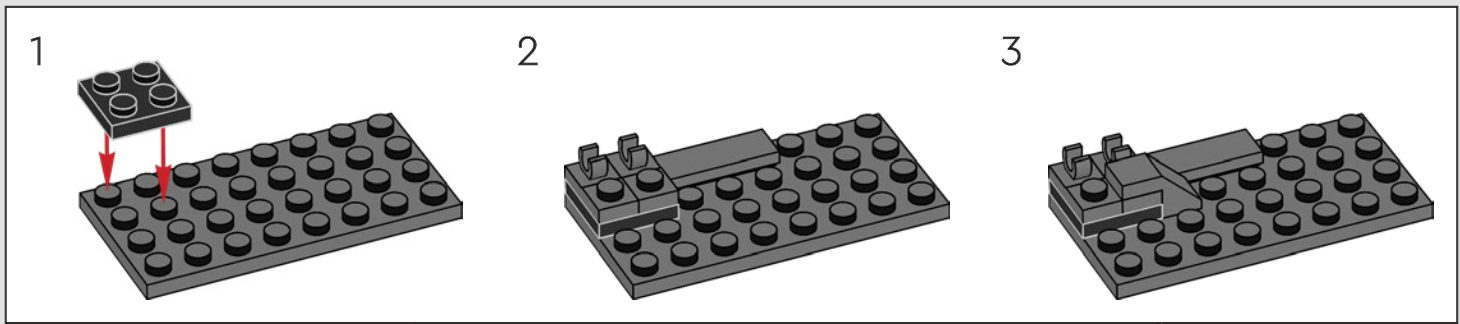
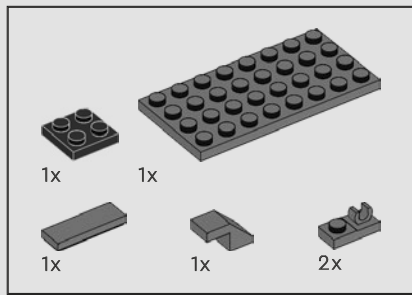
168



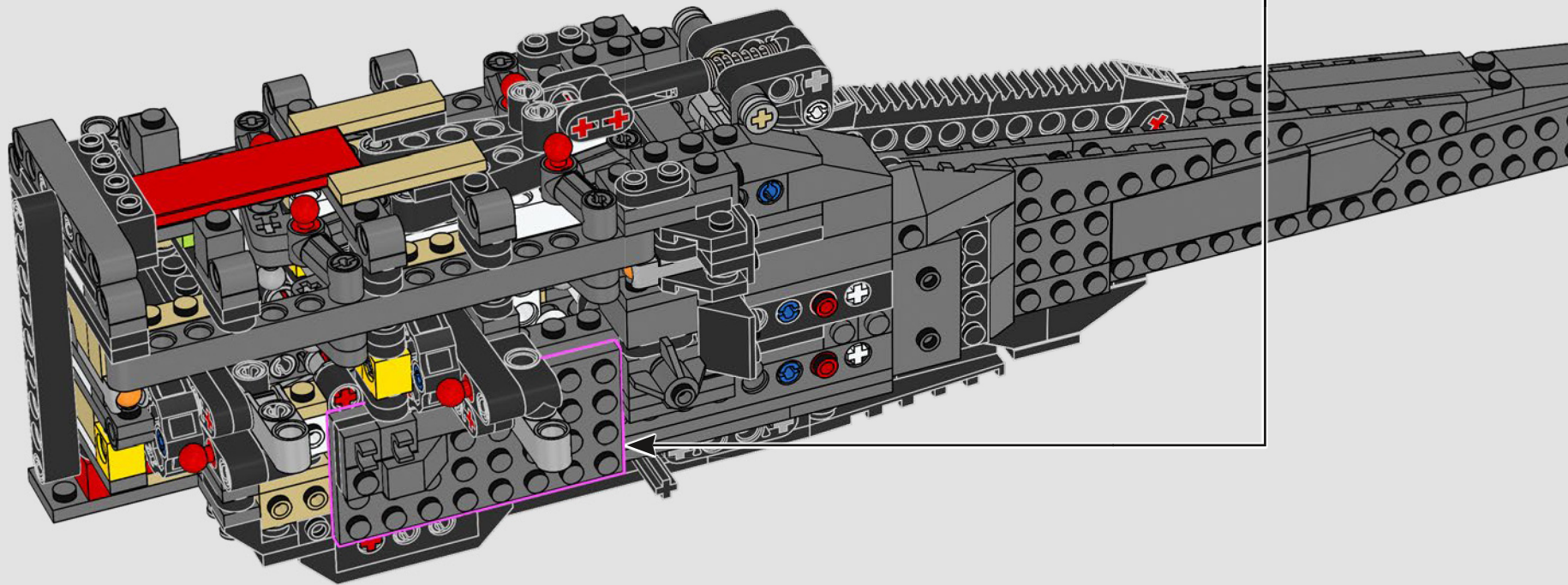


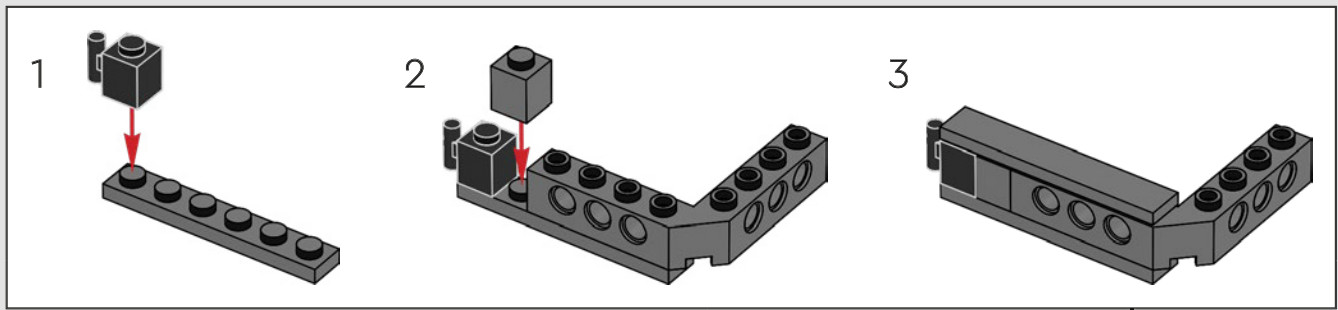
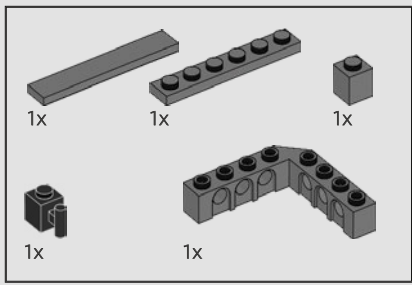
169



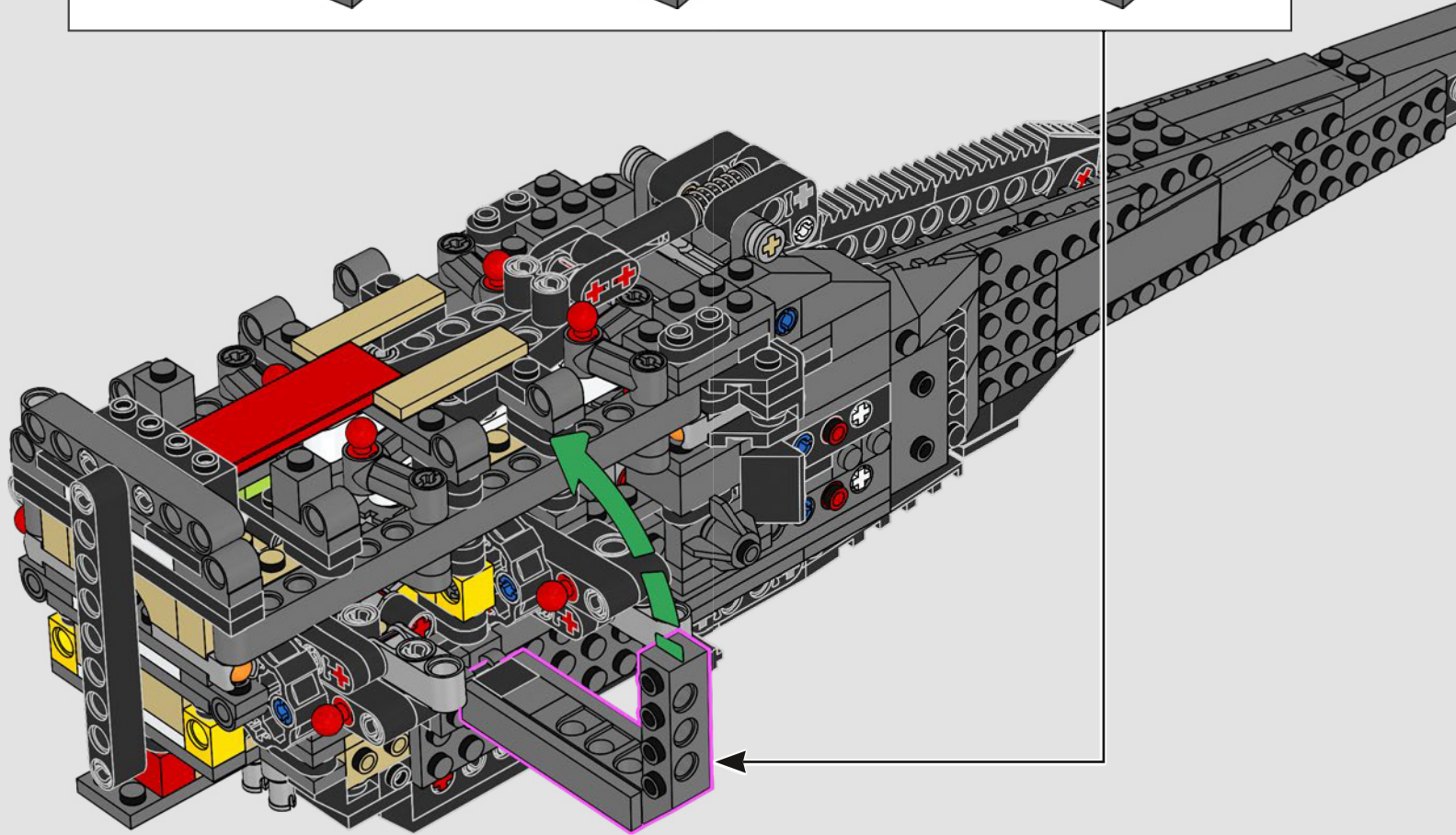


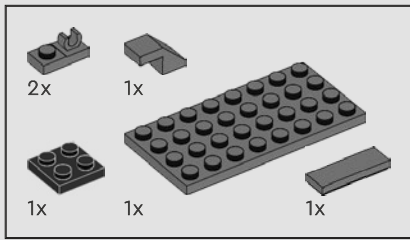
170



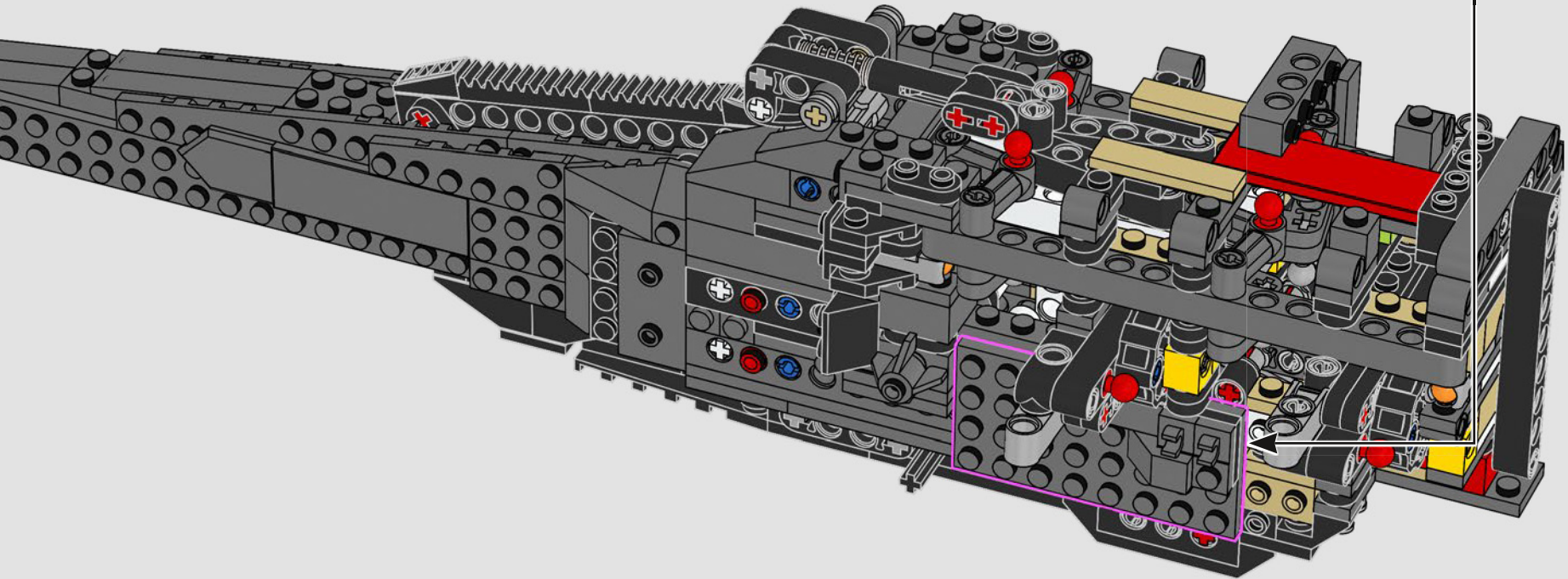
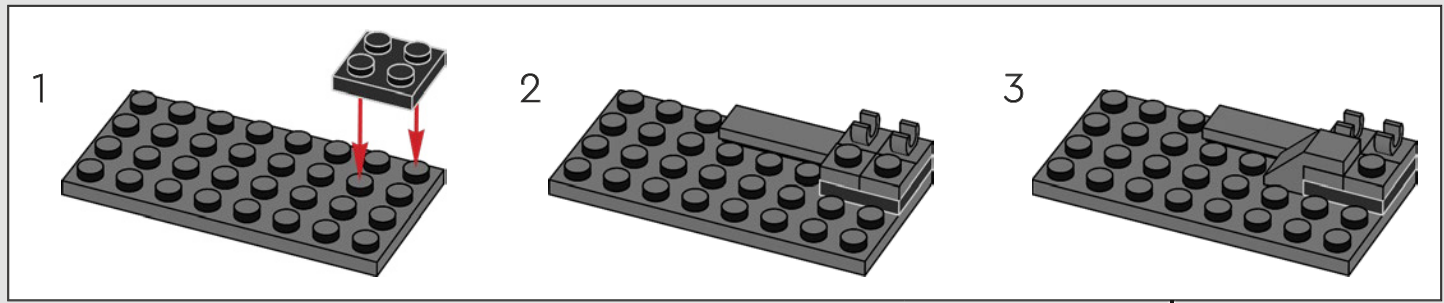


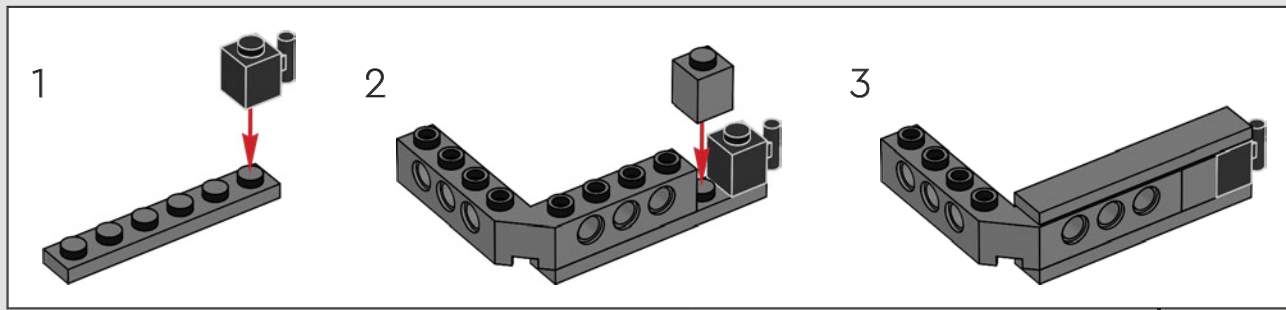
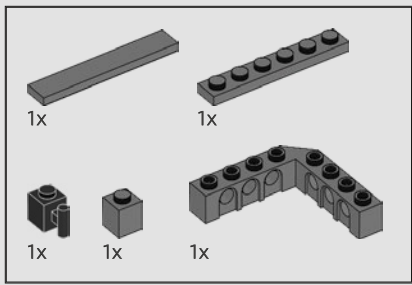
171



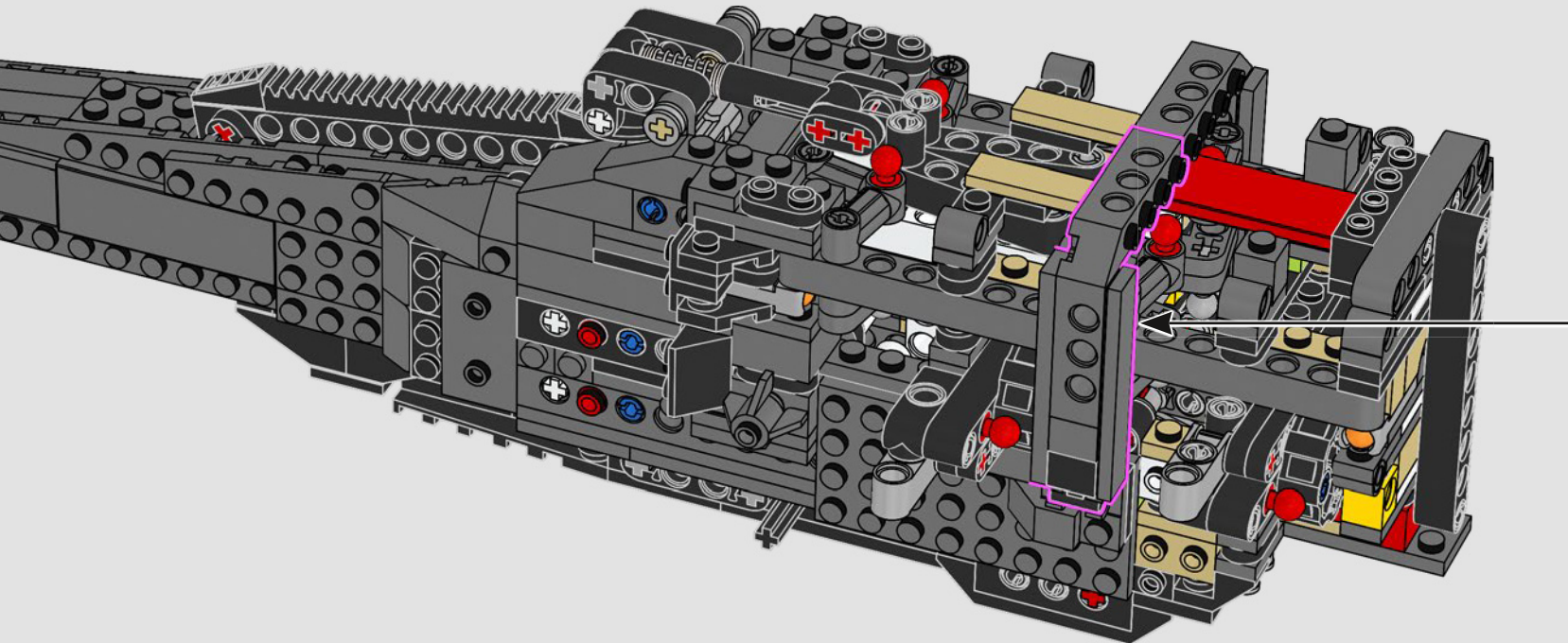


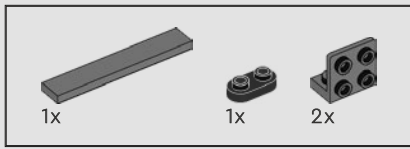
172



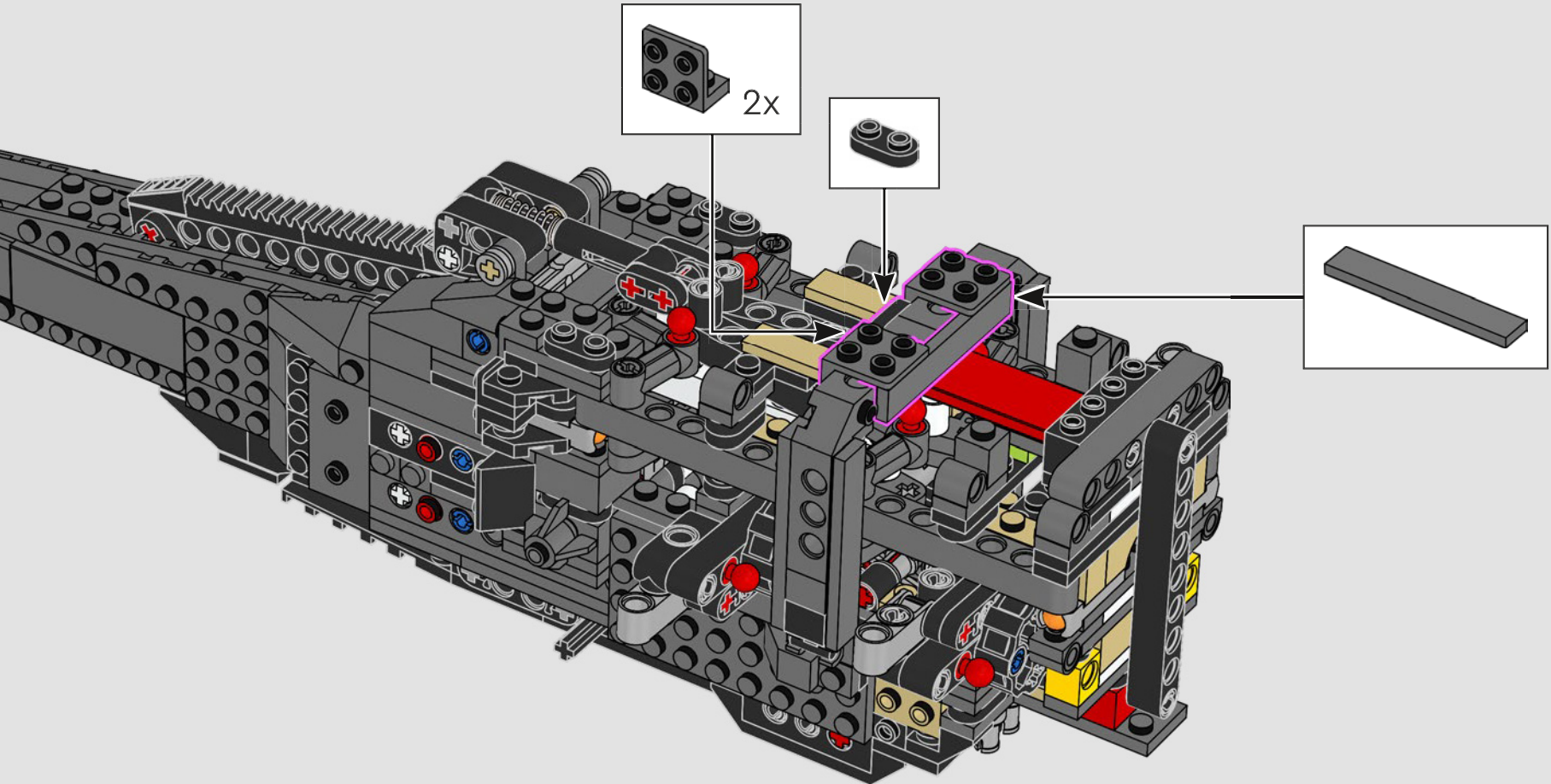


173



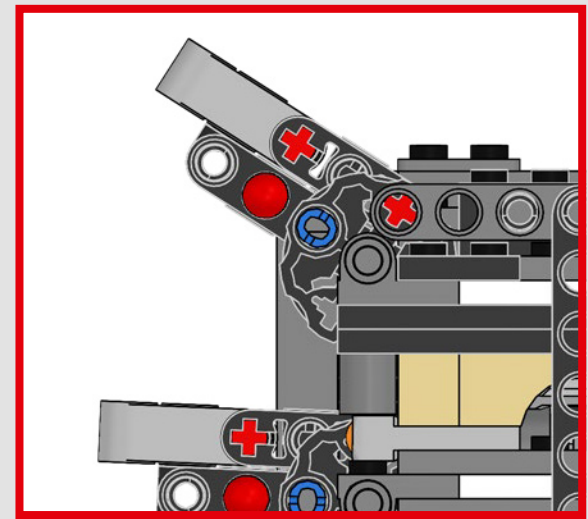
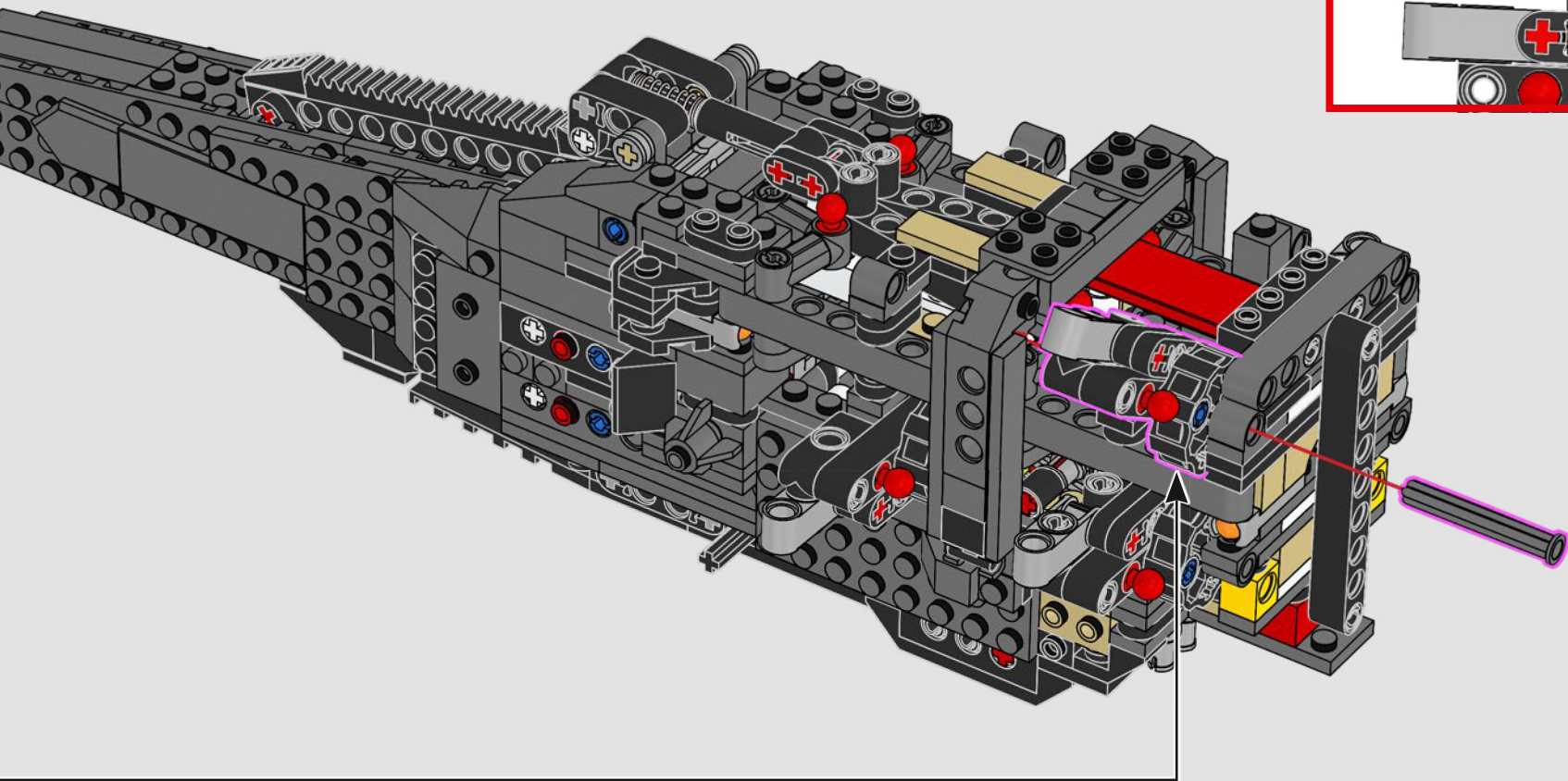


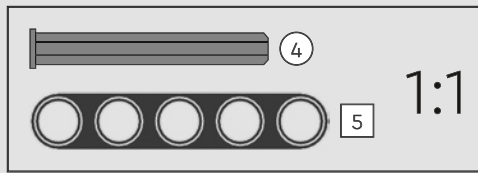
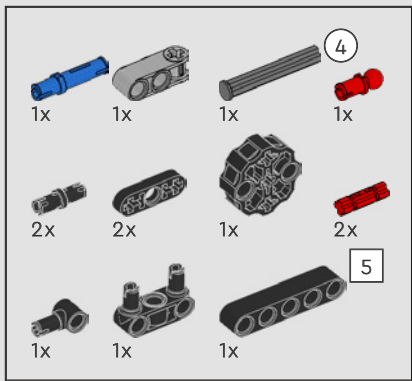
174



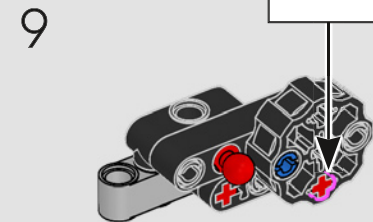
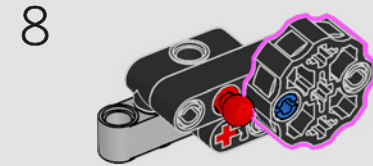
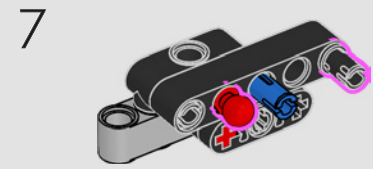
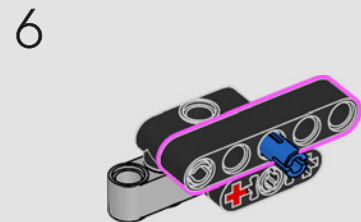
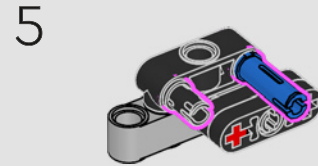
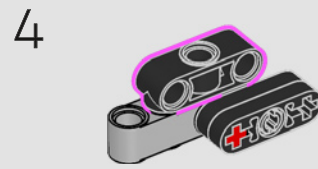
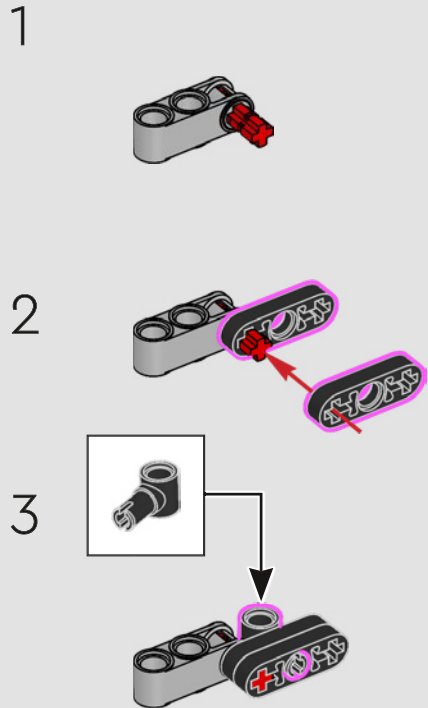


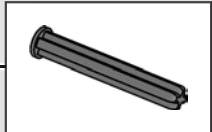
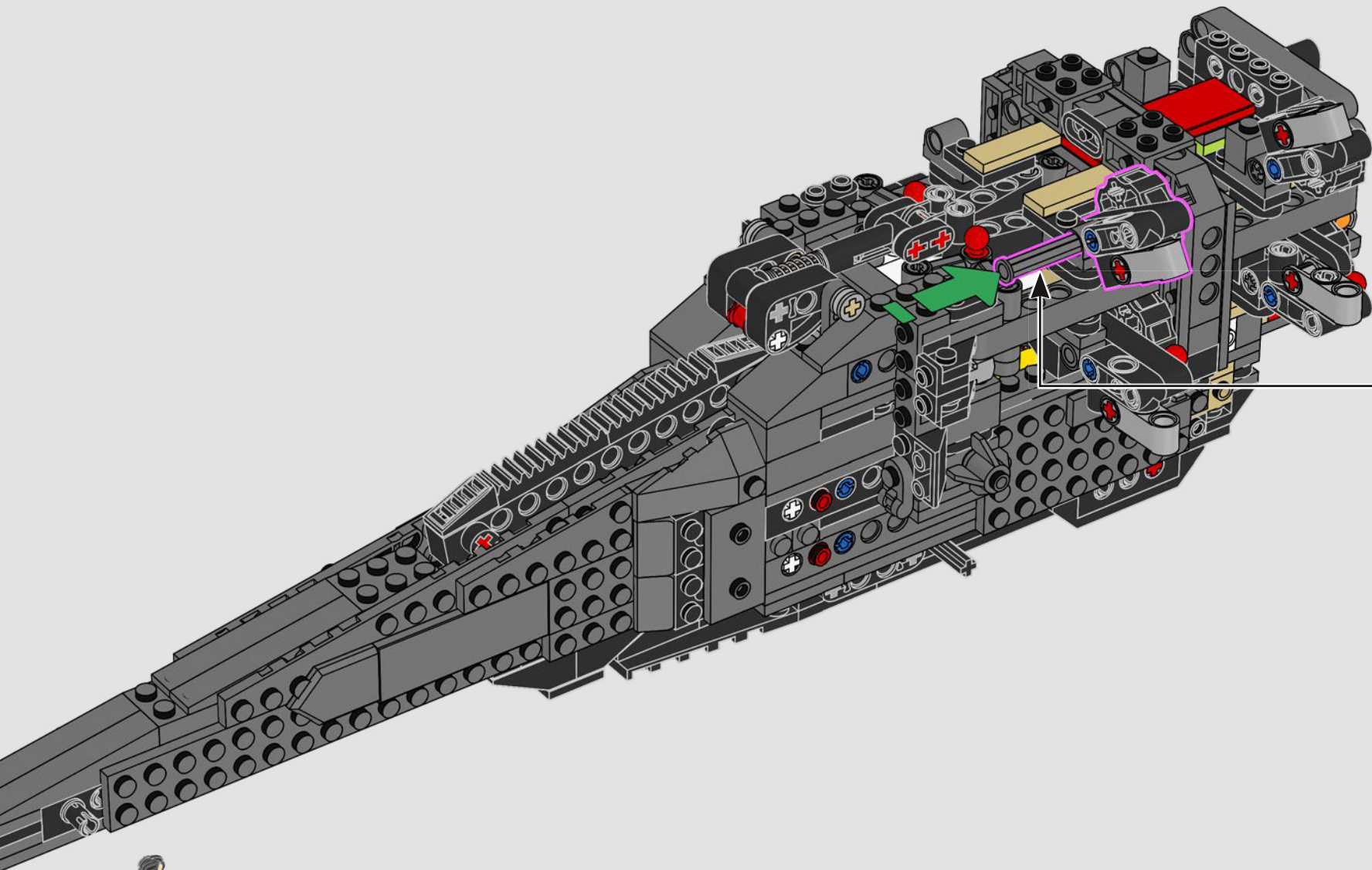


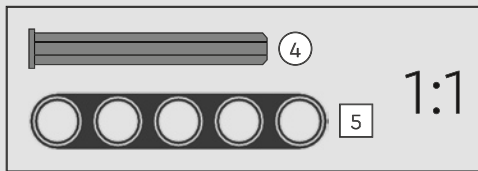
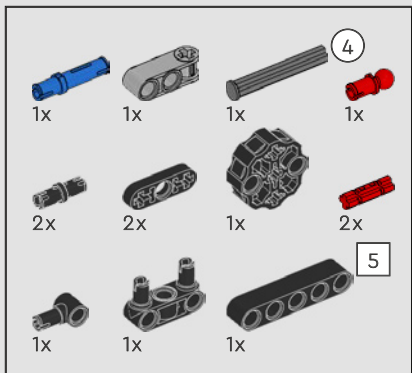




176

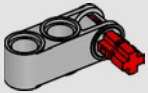




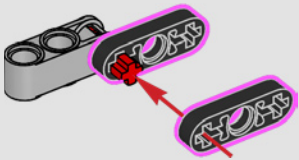


177

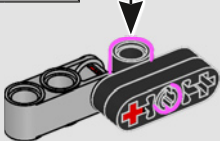
1



2



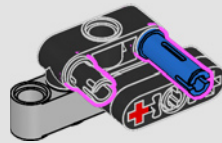
3



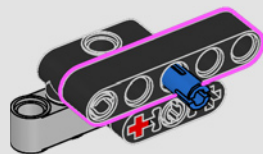
4



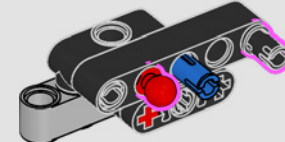
5



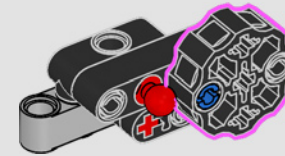
6



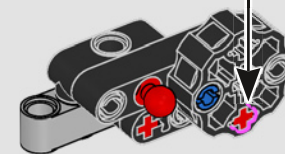
7

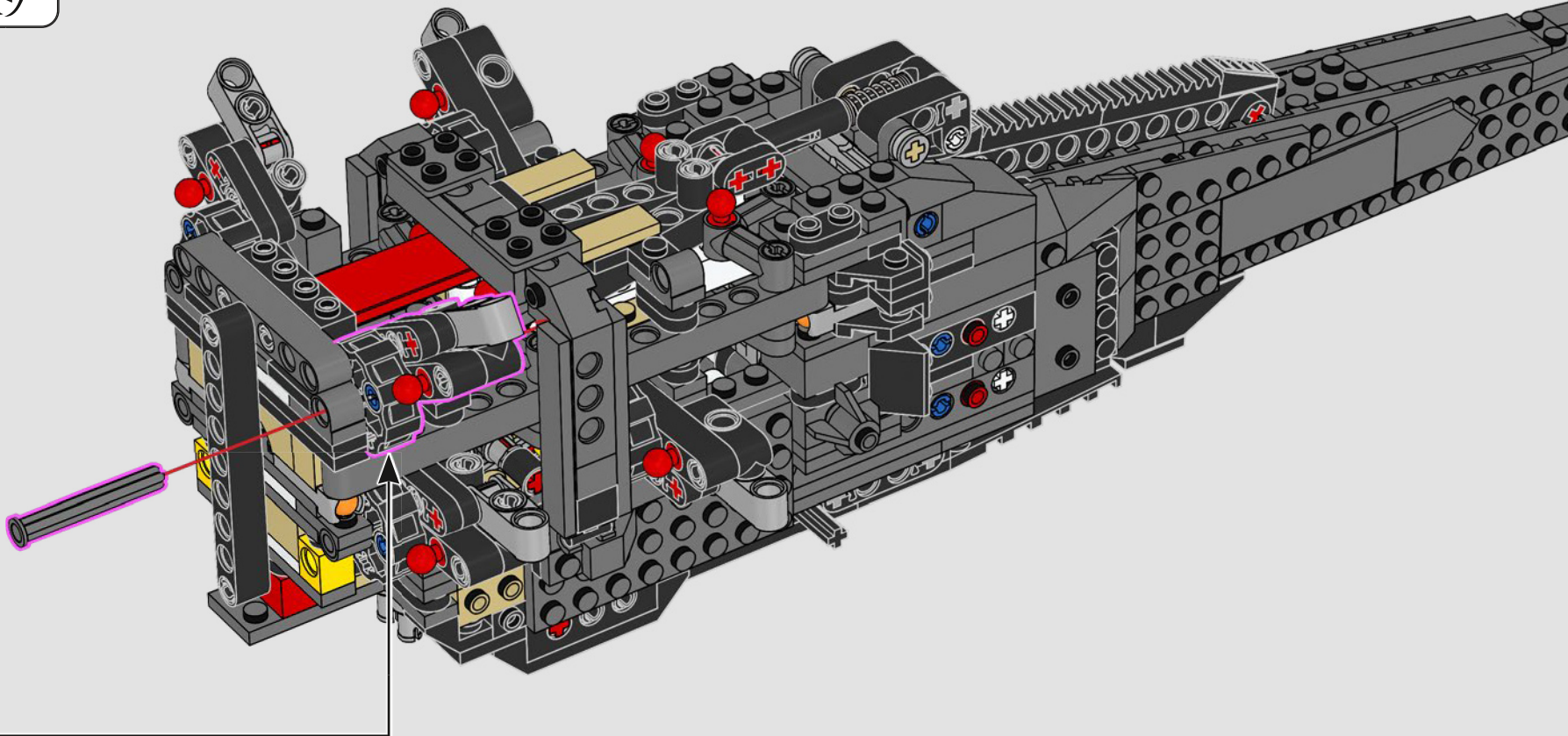


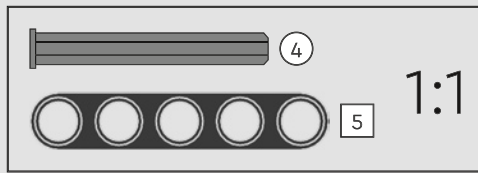
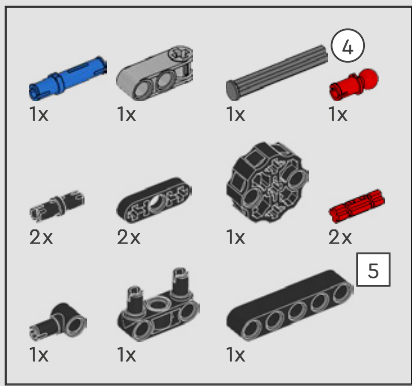
8



9

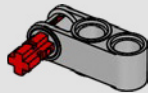




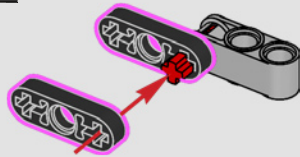


178

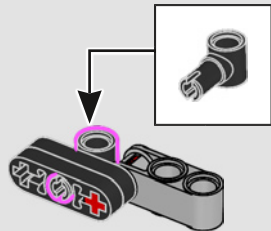
1



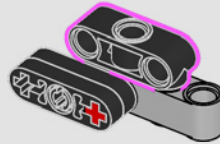
2



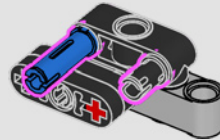
3



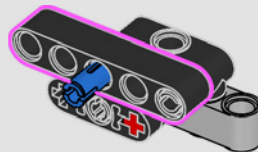
4



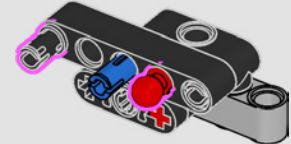
5



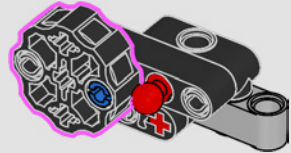
6



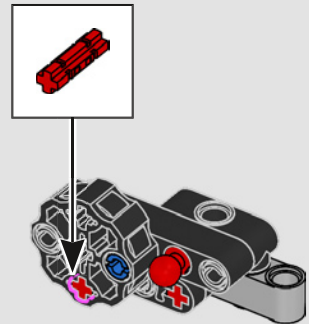
7

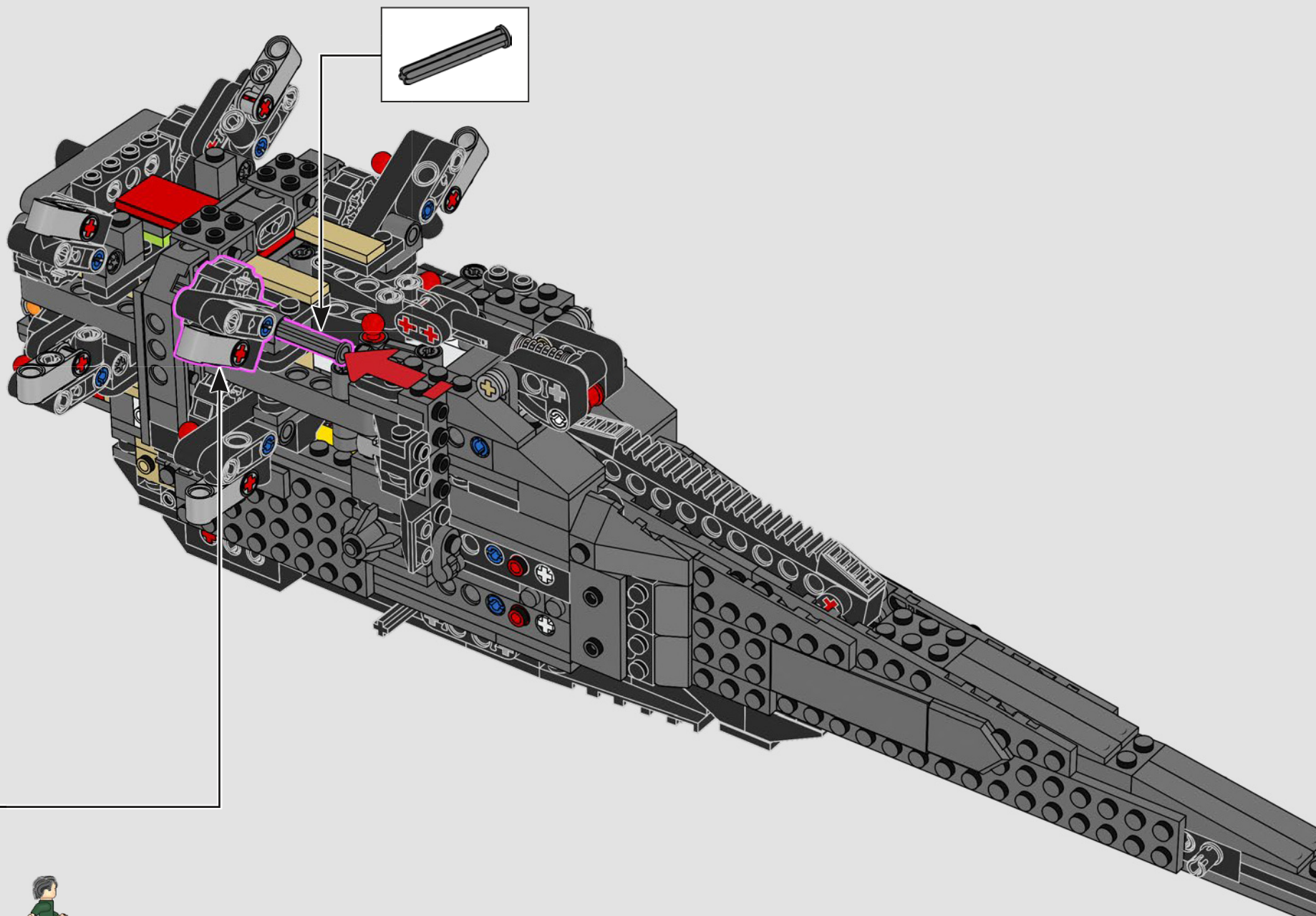


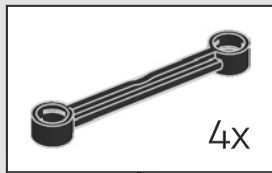
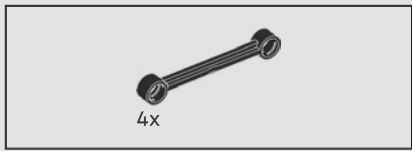
8



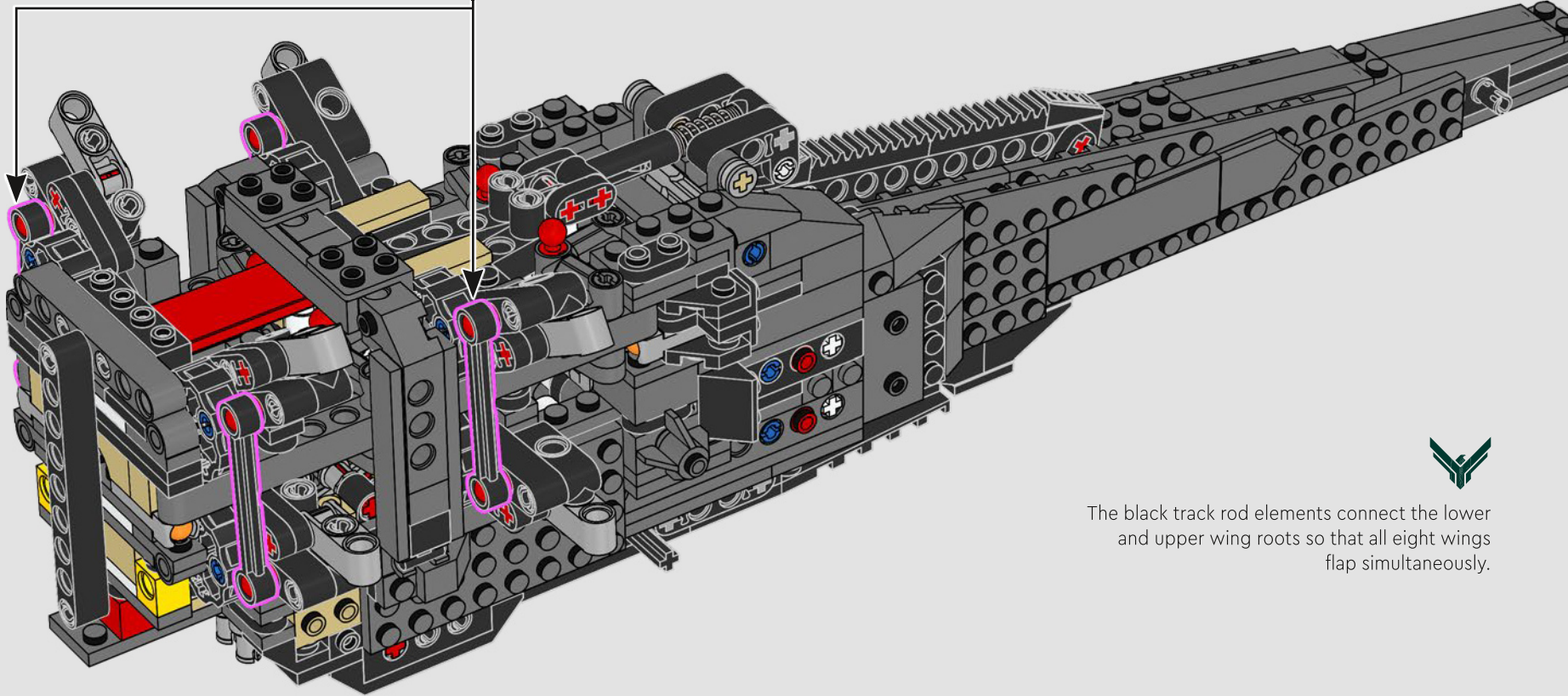
9





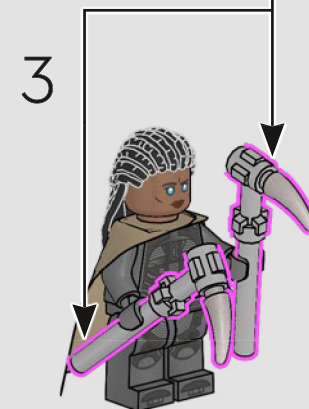
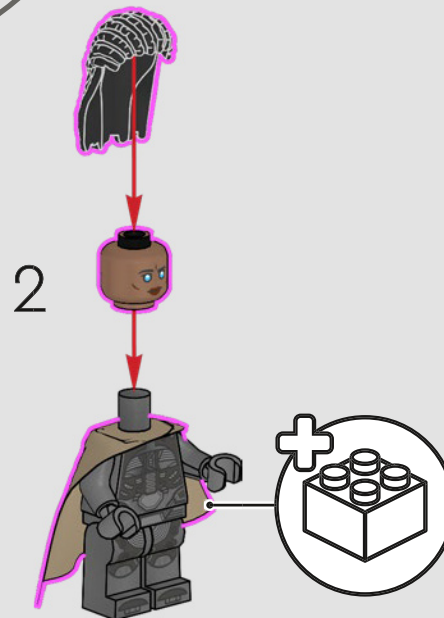
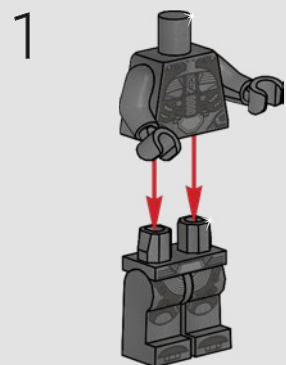
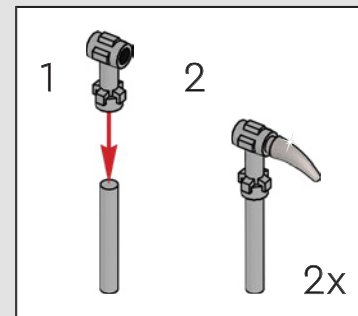
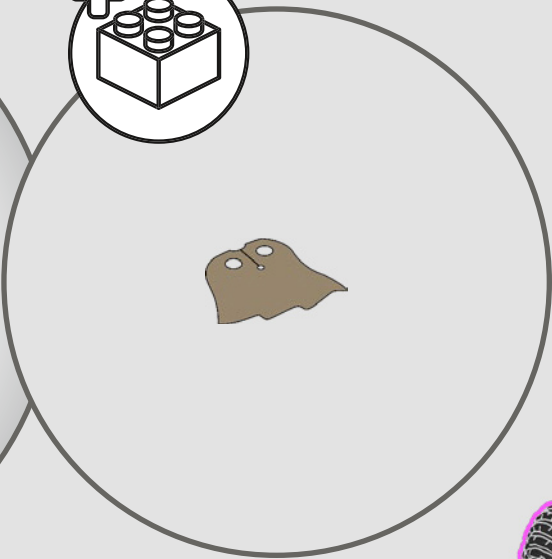
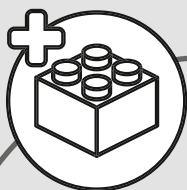
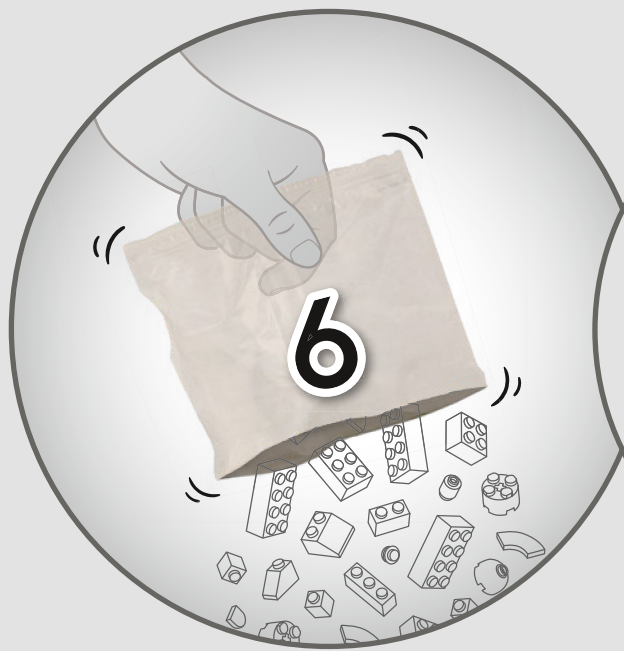


179



The black track rod elements connect the lower and upper wing roots so that all eight wings flap simultaneously.

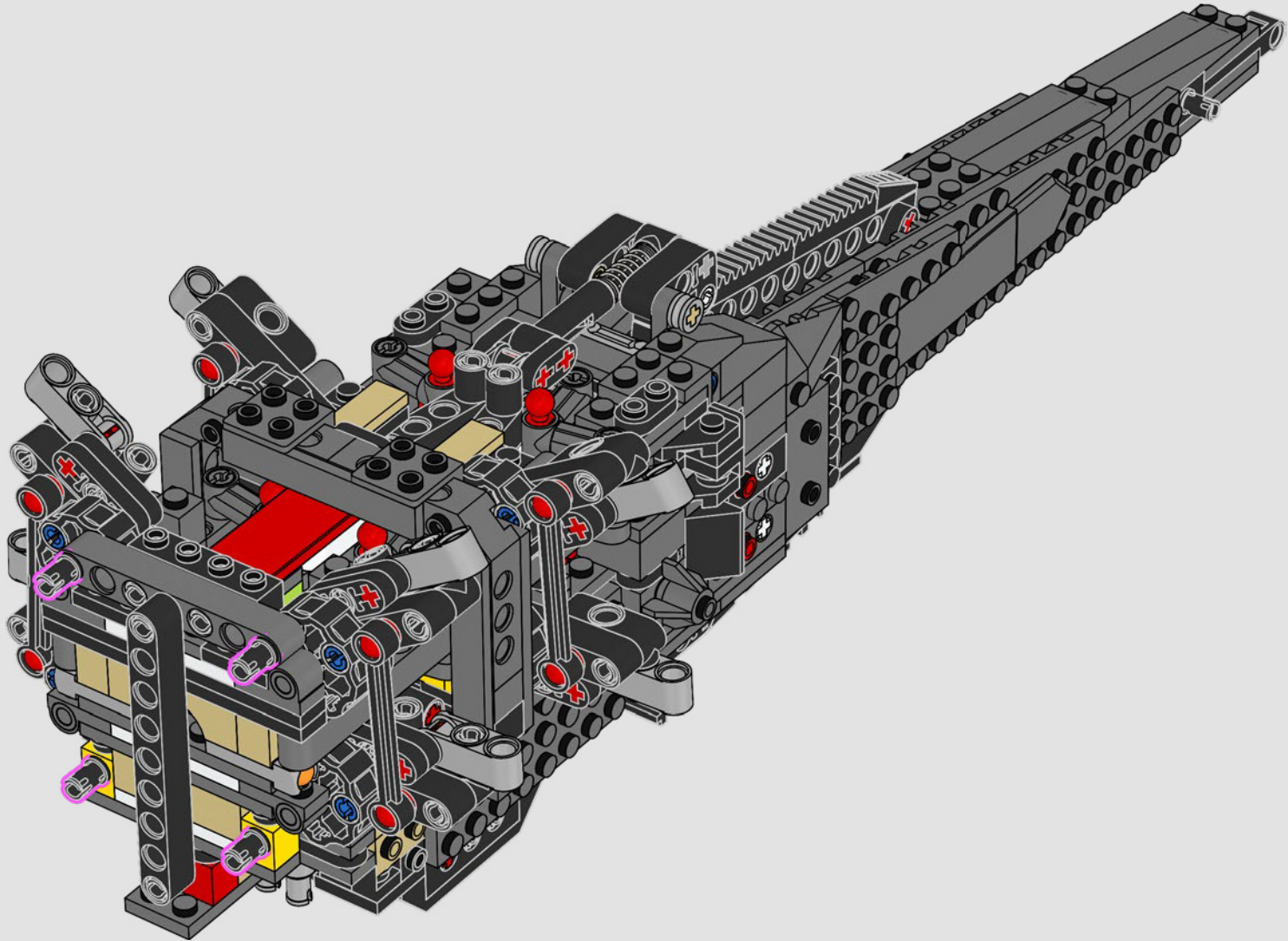


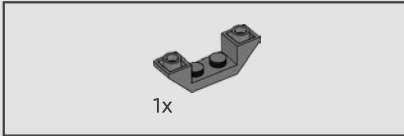
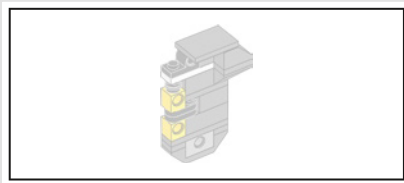




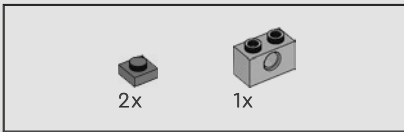
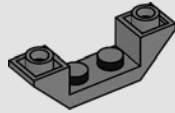
4x

180

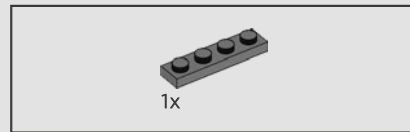
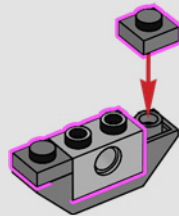




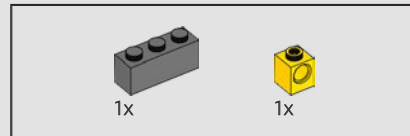
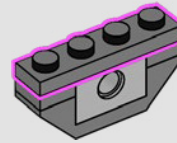
181



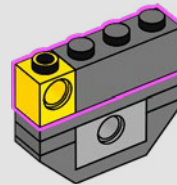
182



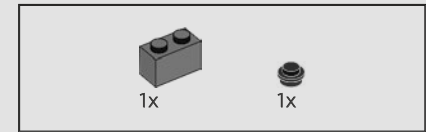
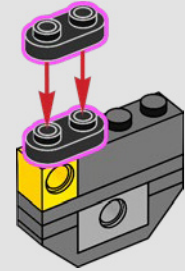
183



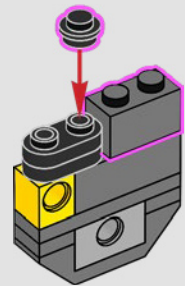
184

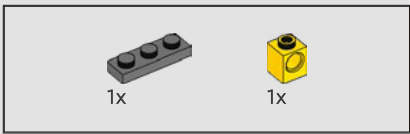


185

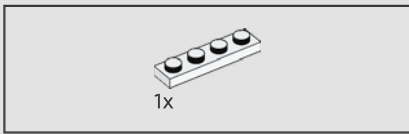
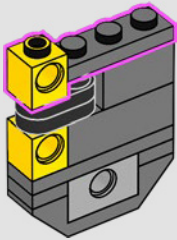


186

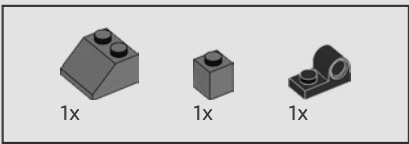
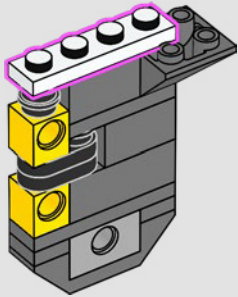




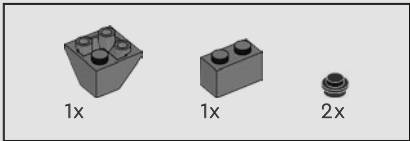
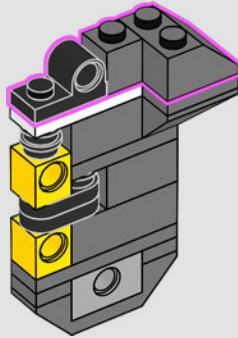
187



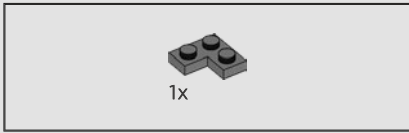
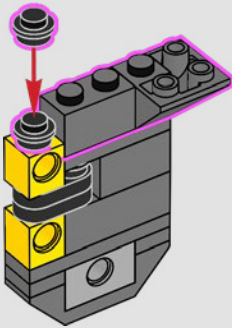
189



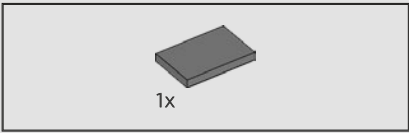
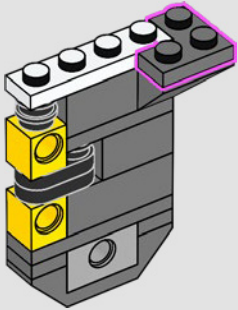
191



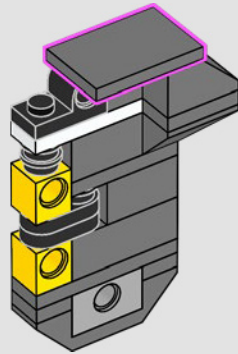
188



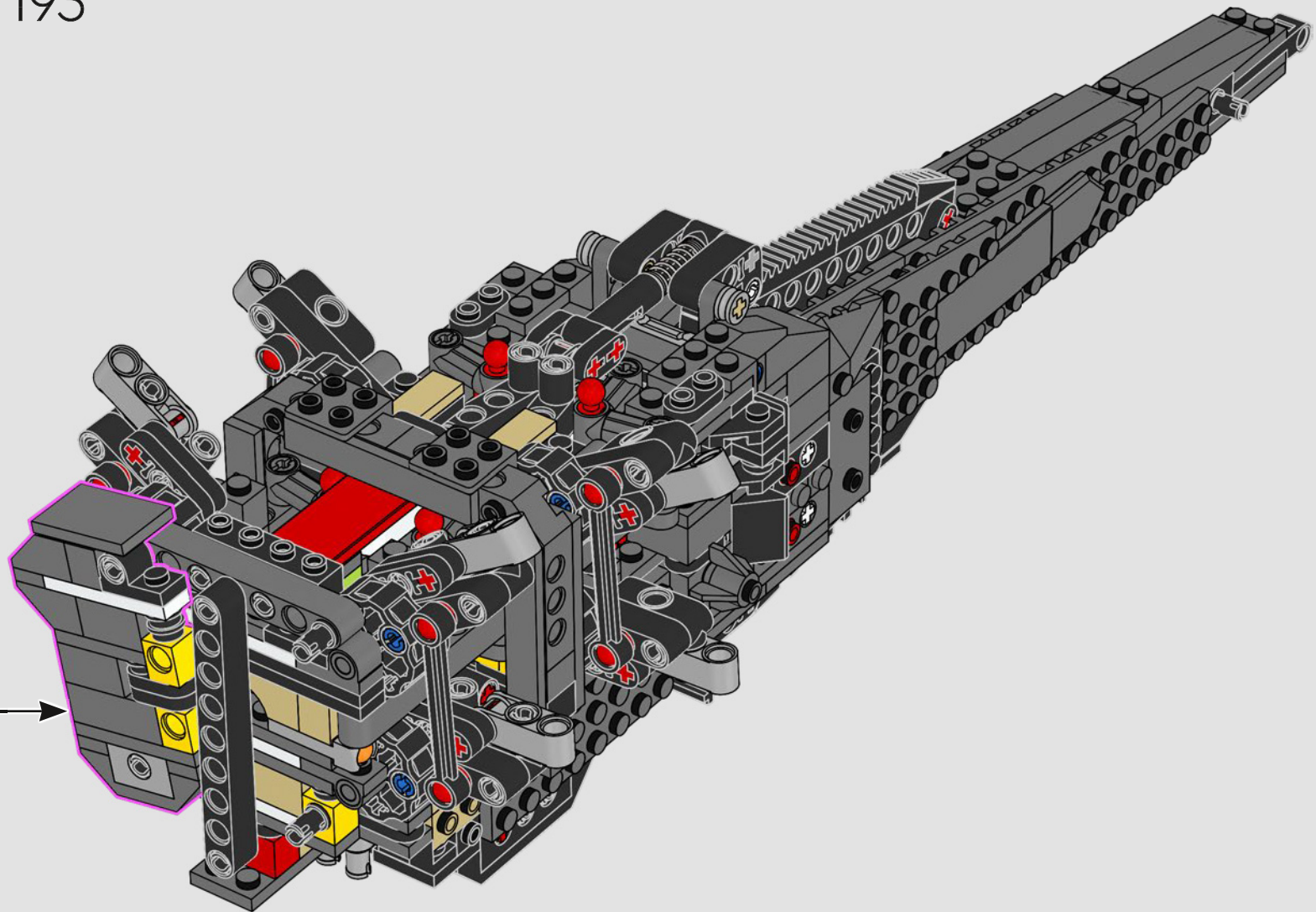
190

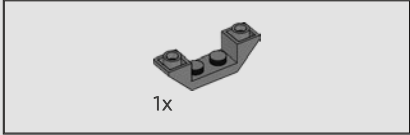
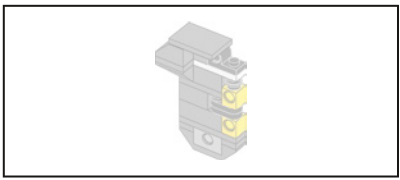


192

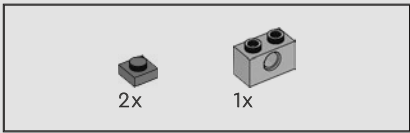
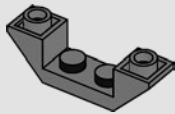


193

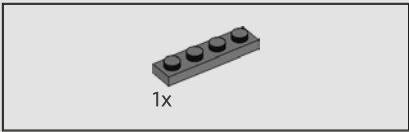
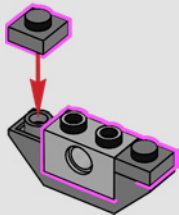




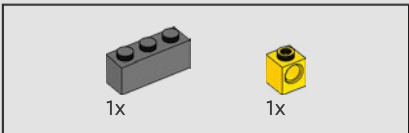
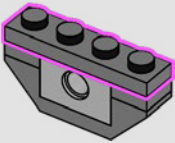
194



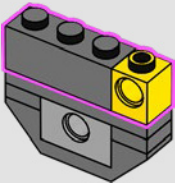
195



196

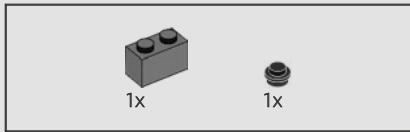
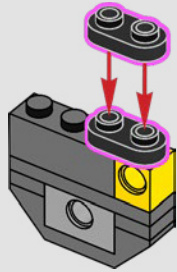


197

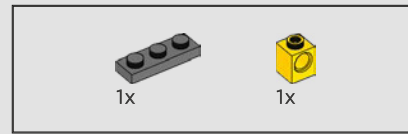
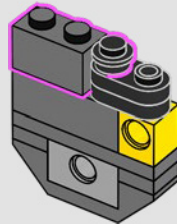




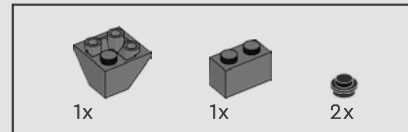
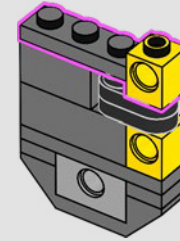
198



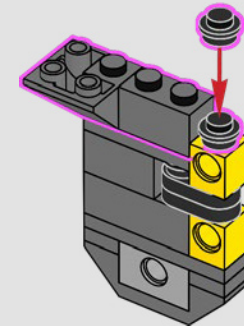
199

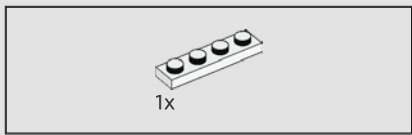


200

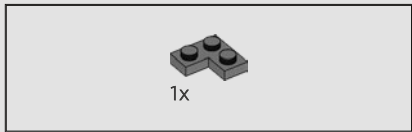
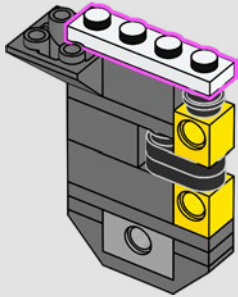


201

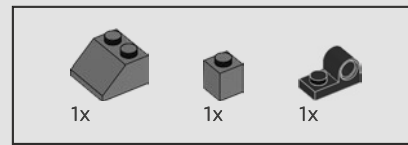
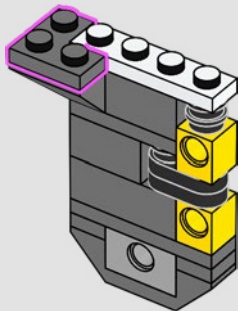




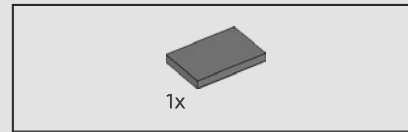
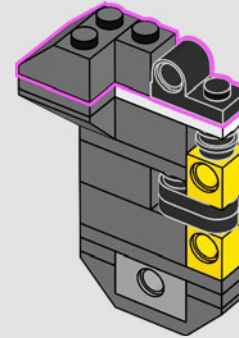
202



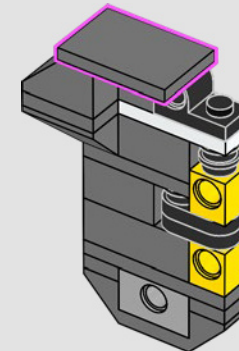
203



204

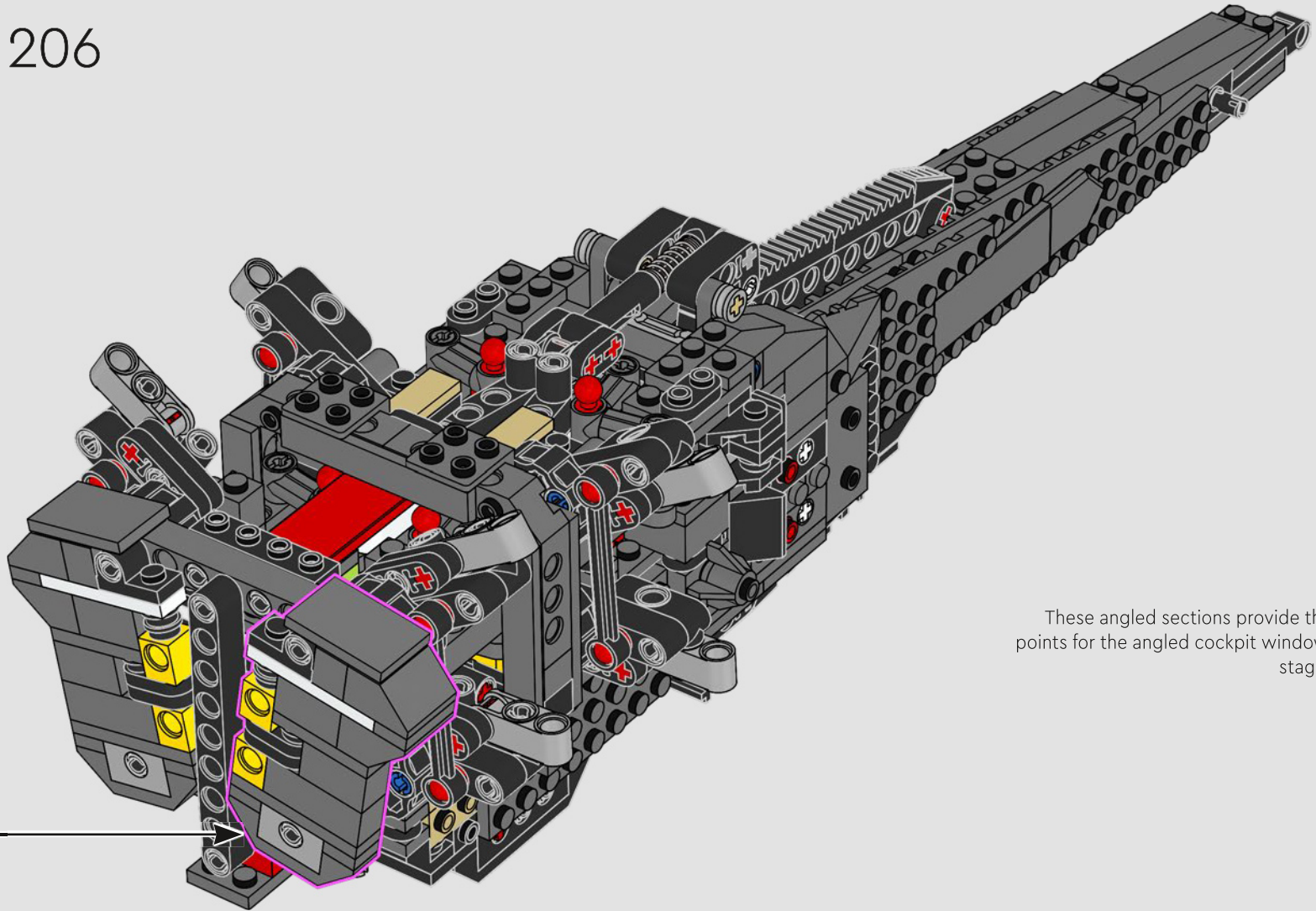


205



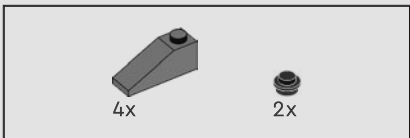


206

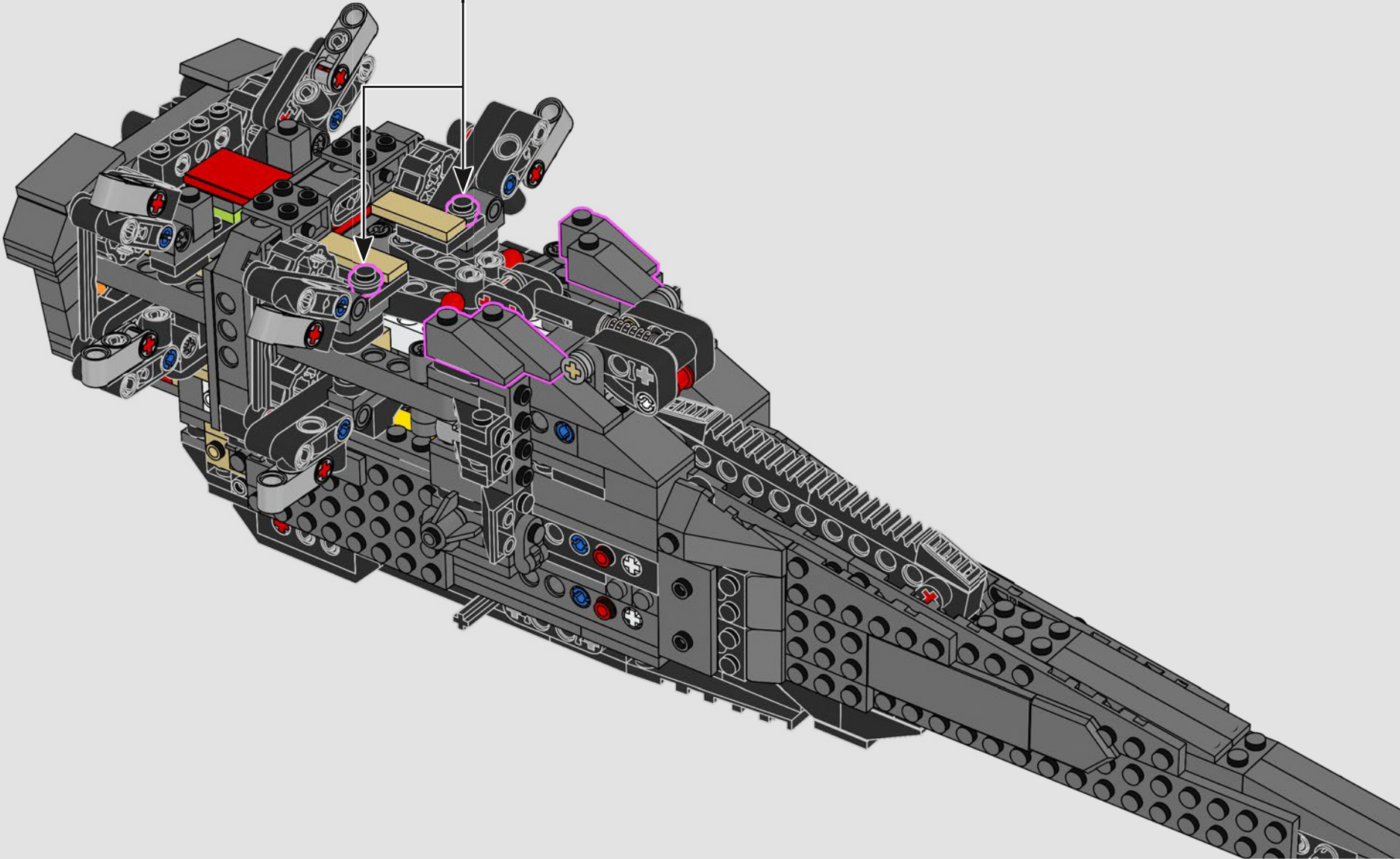


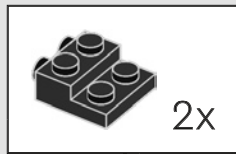
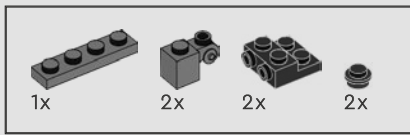
These angled sections provide the connection points for the angled cockpit windows in the next stage of the build.



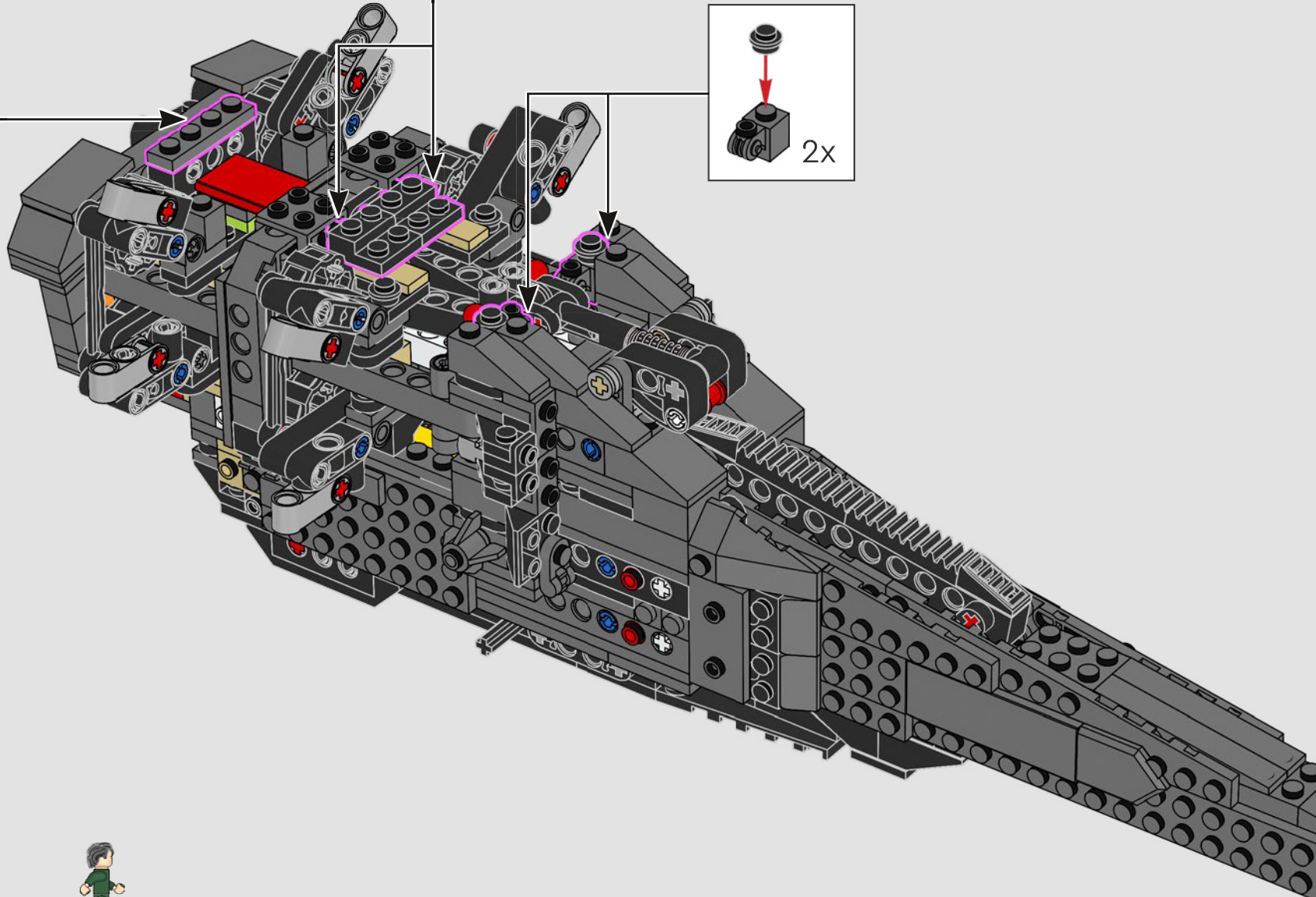
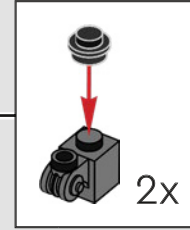
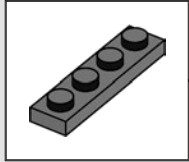


207



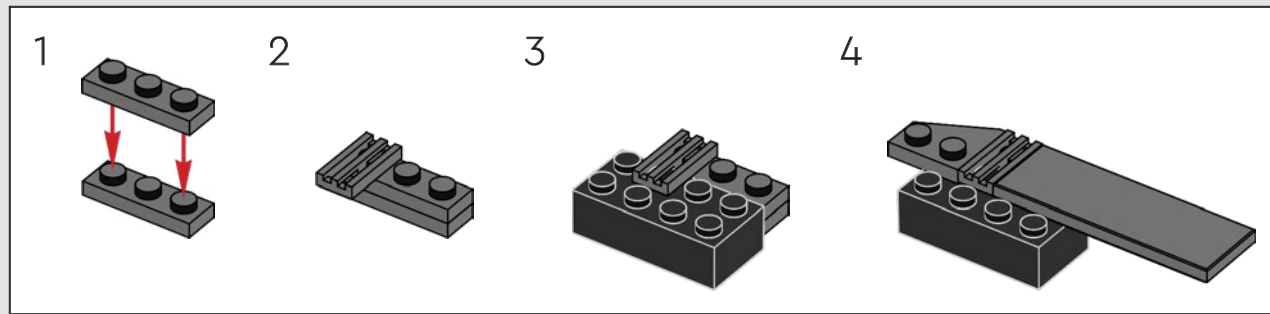
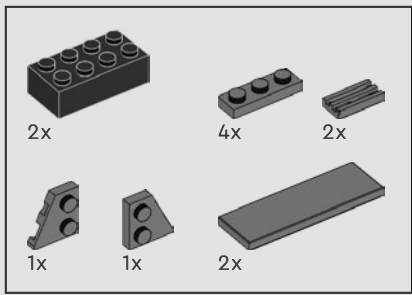


208

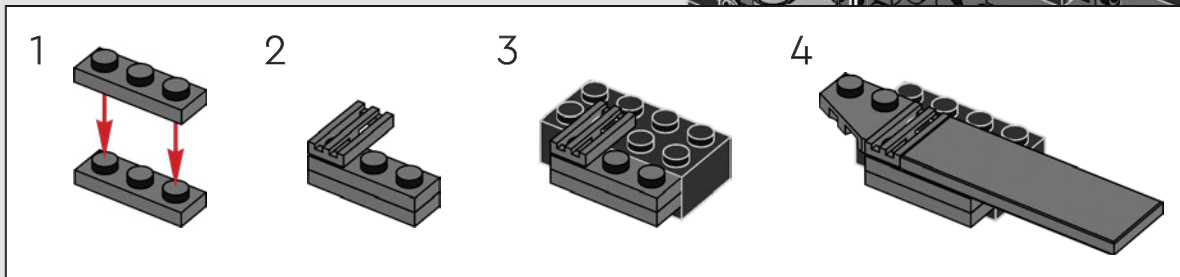
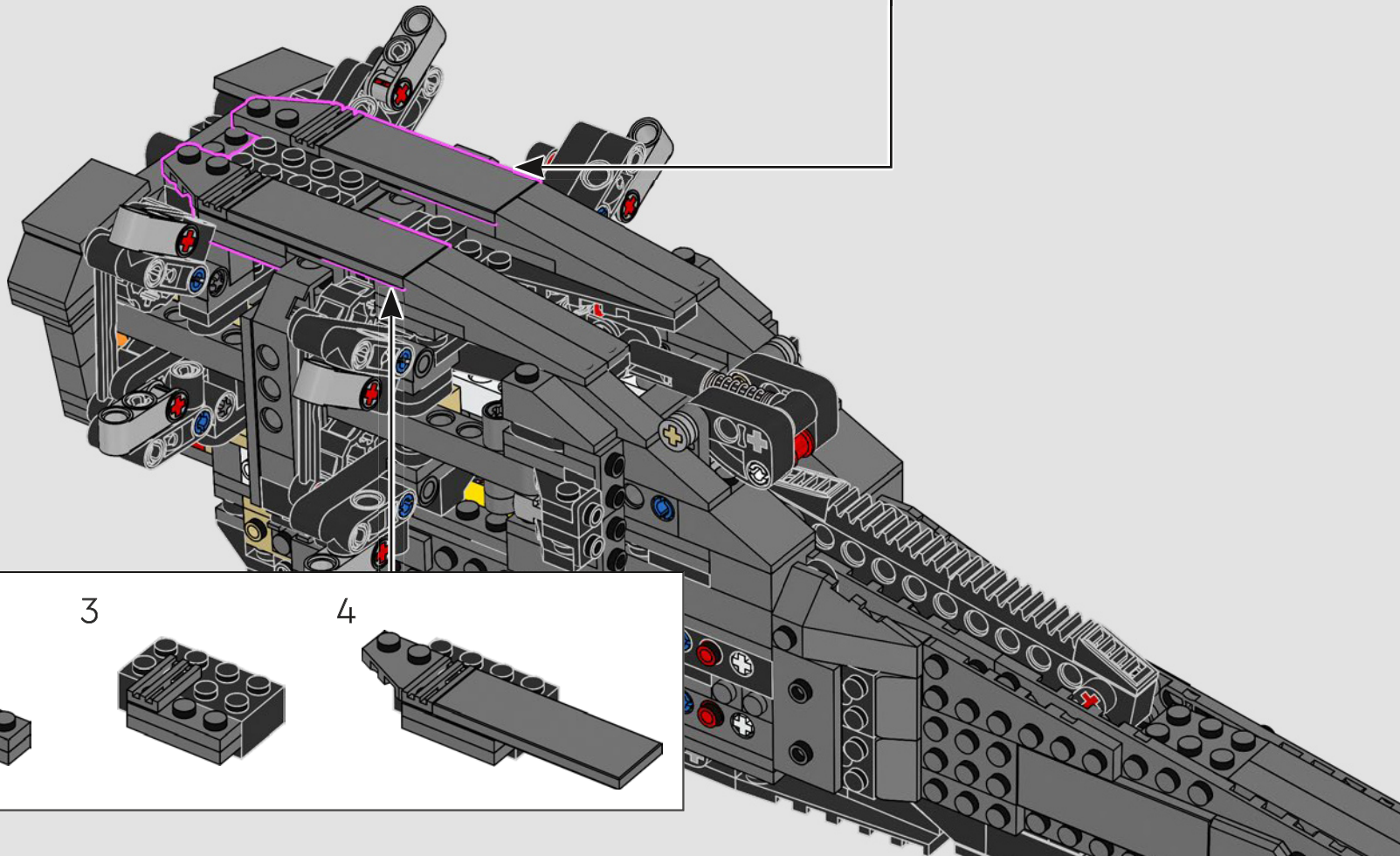


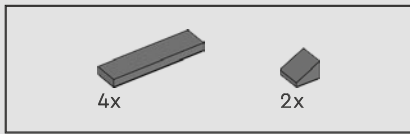




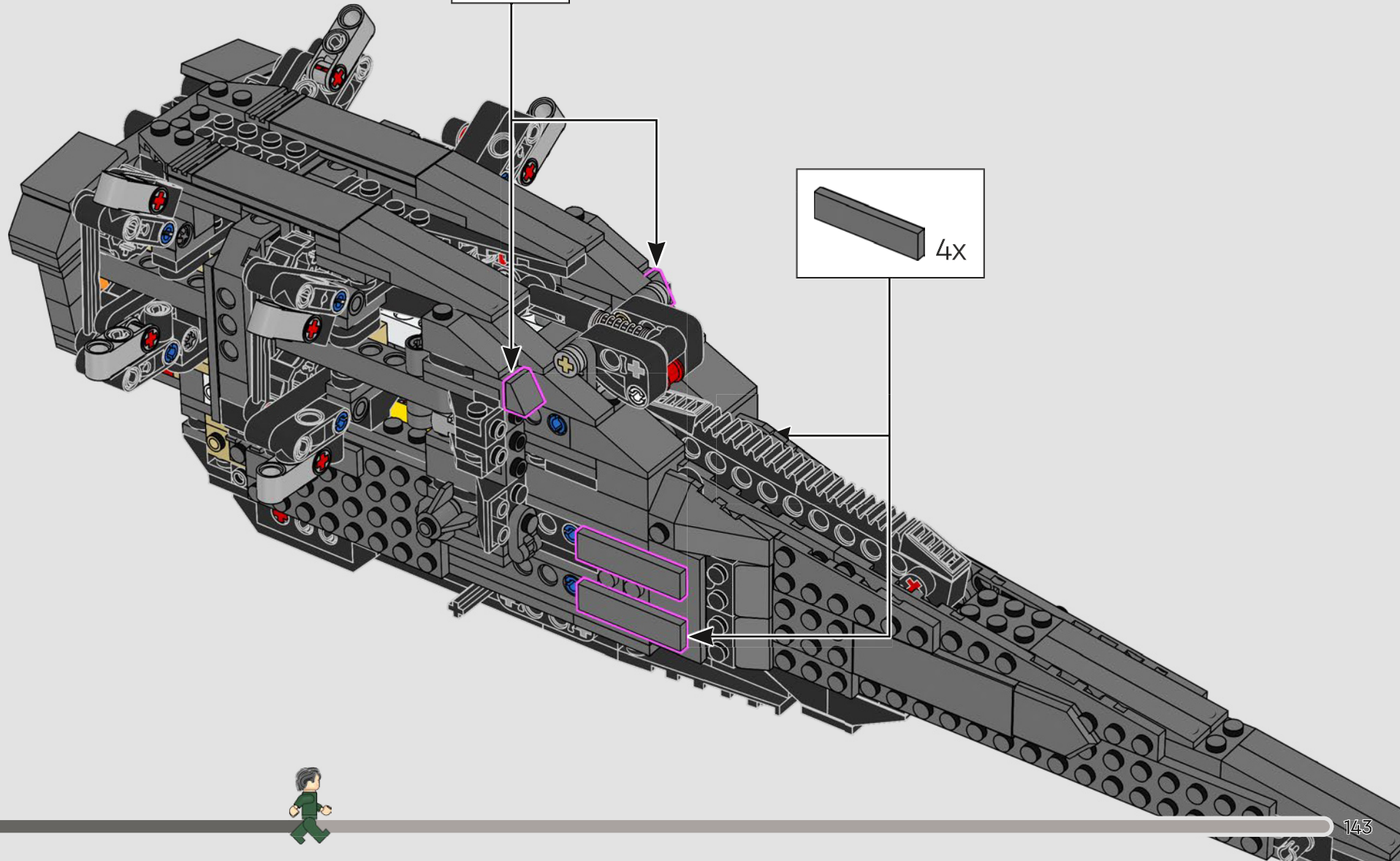
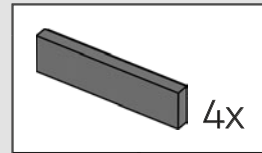


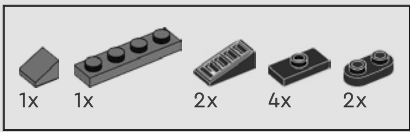
211



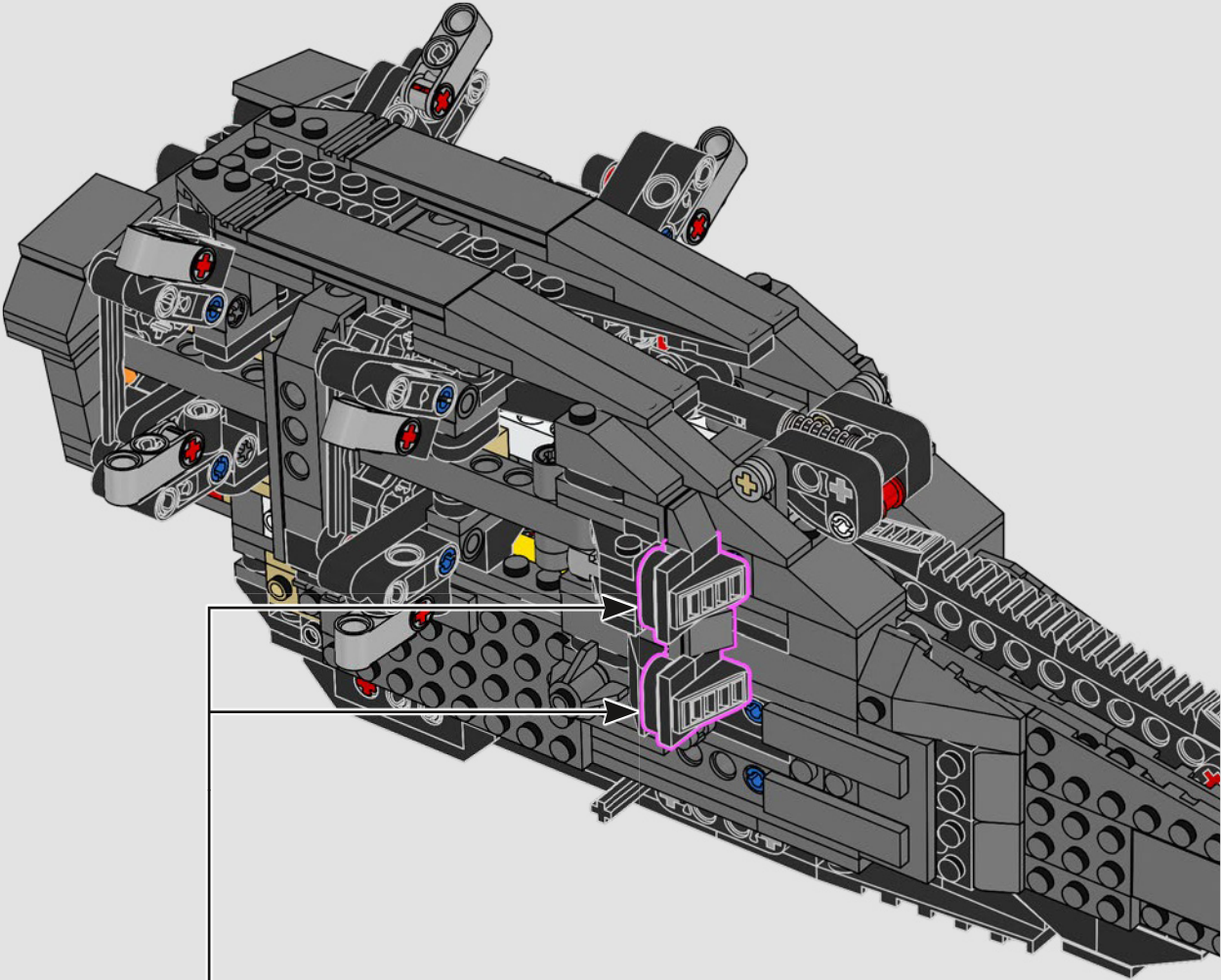
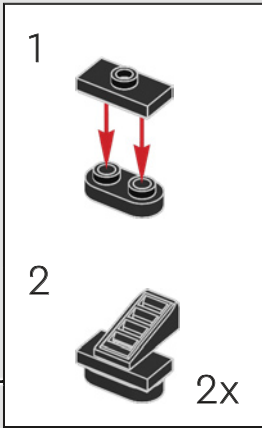
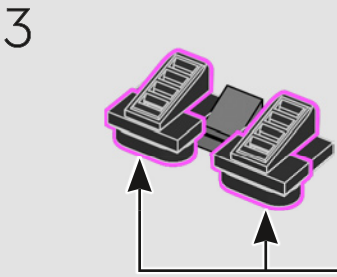
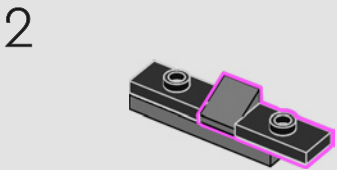
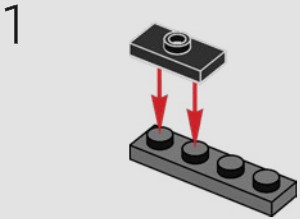


212

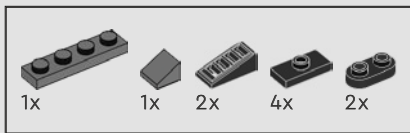




# 213

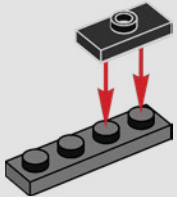




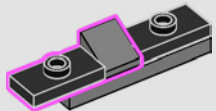


214

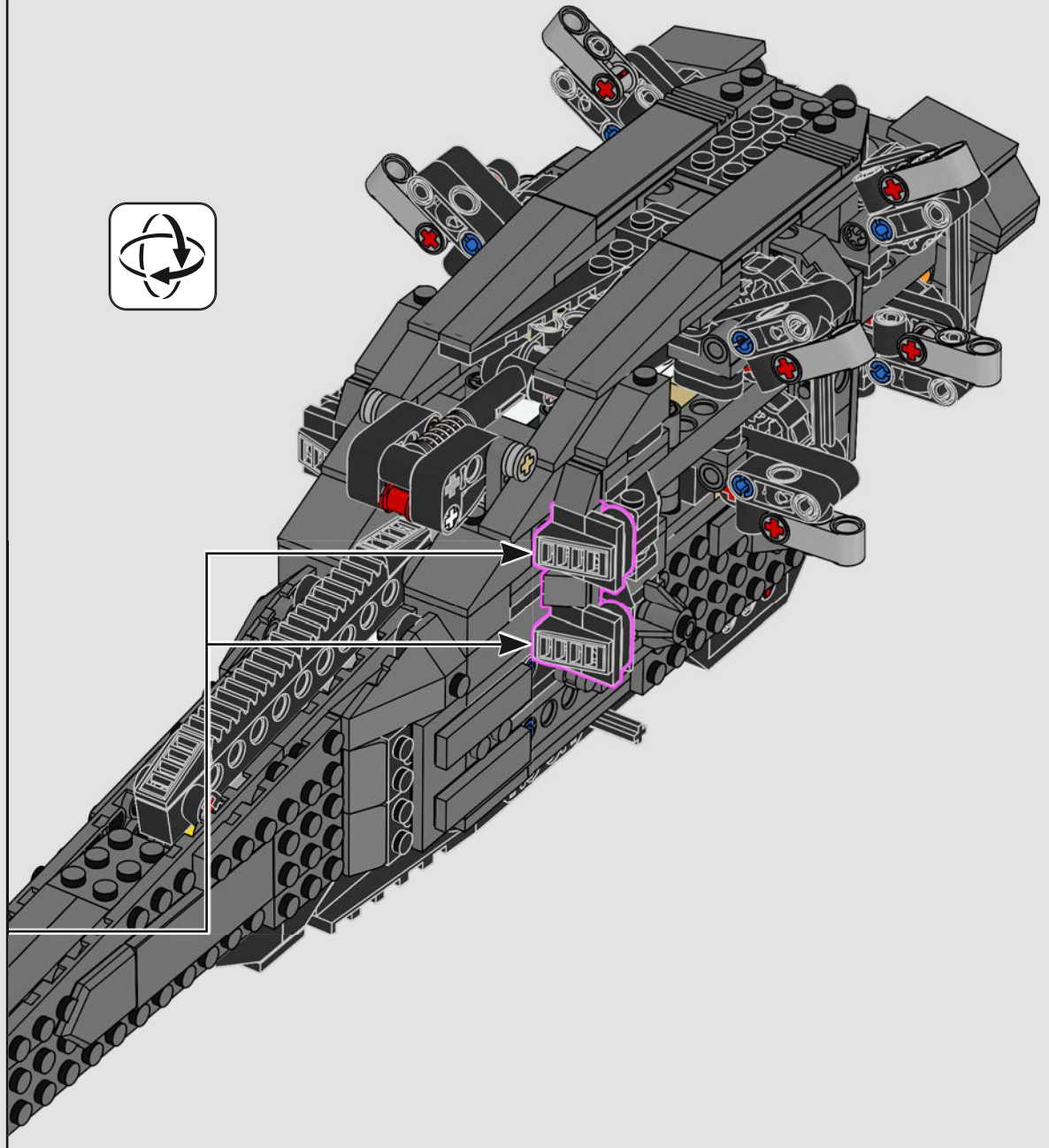
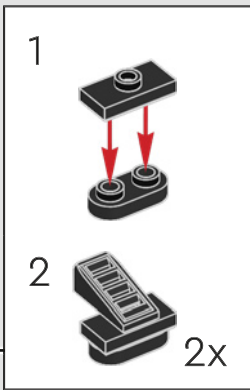
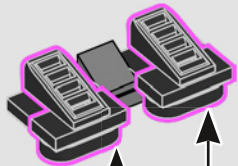
1

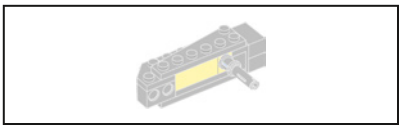


2

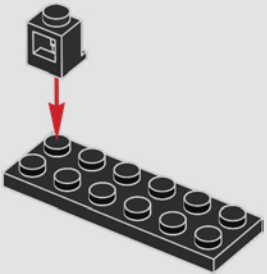


3

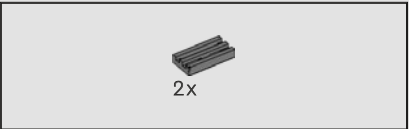
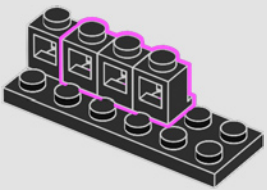




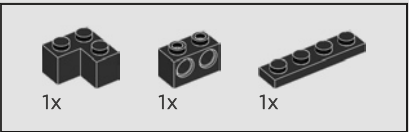
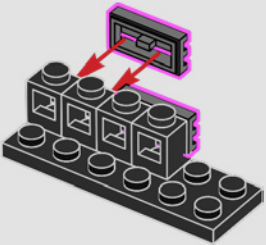
215



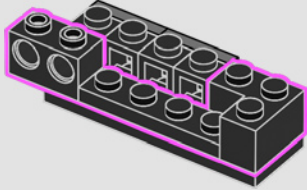
216

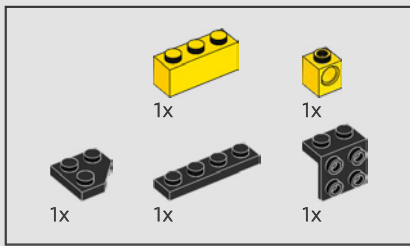


217

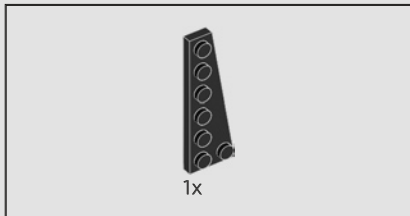
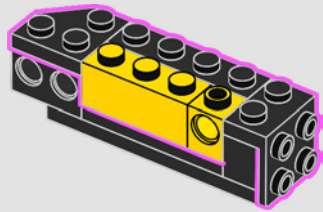


218

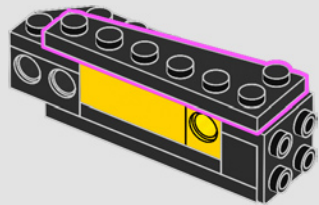




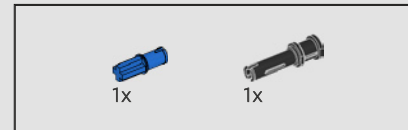
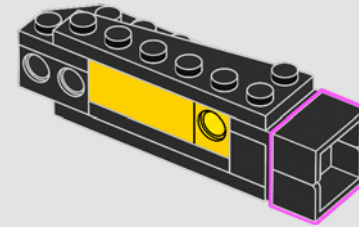
219



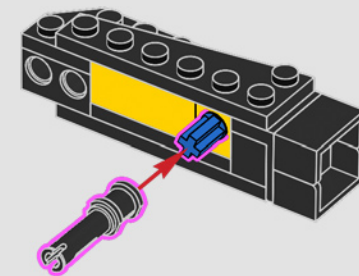
220



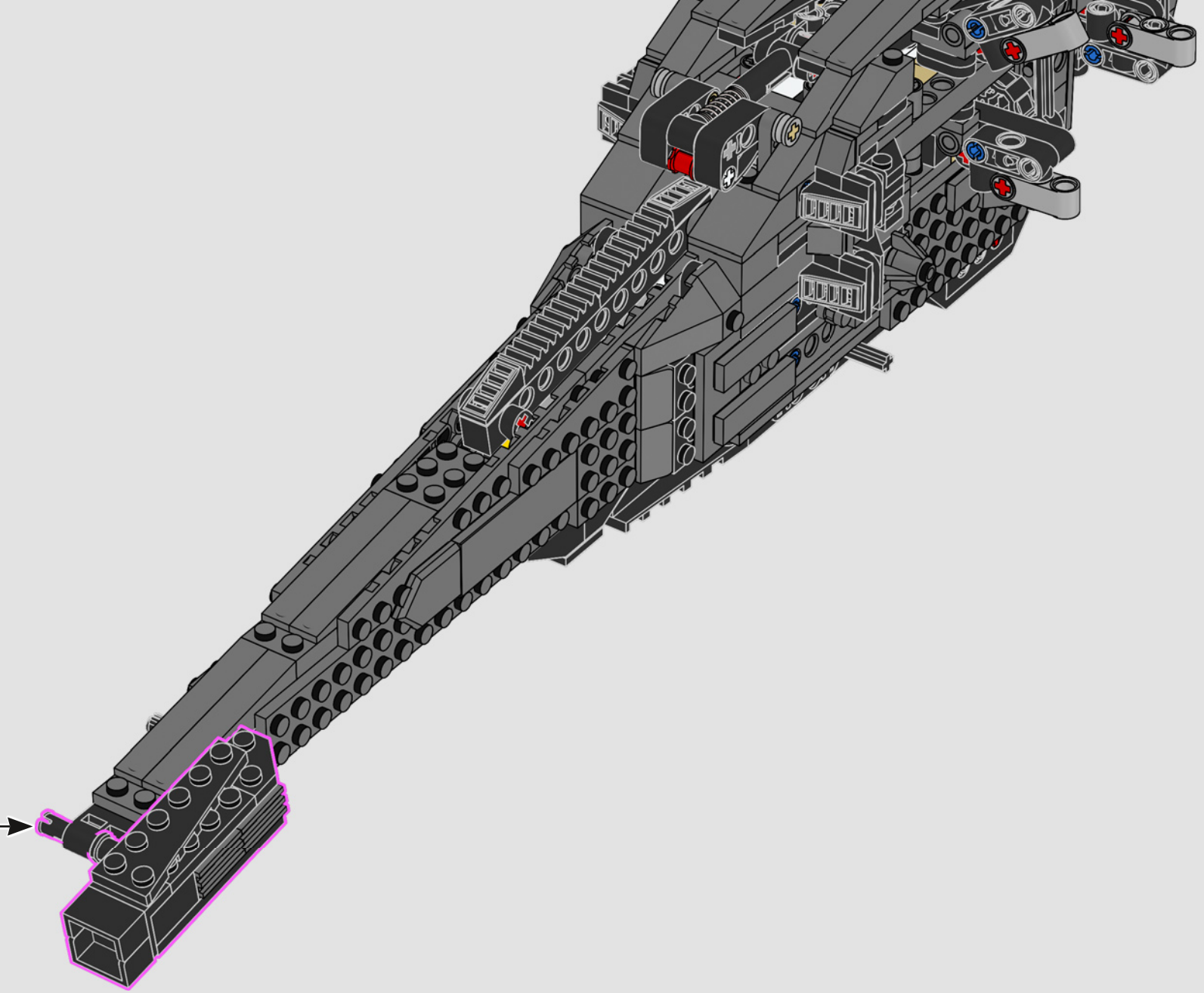
221

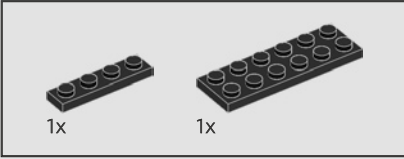
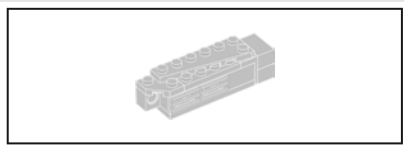


222

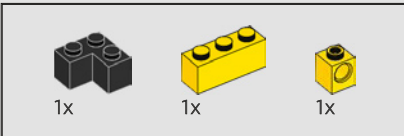
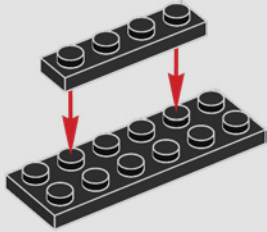


223

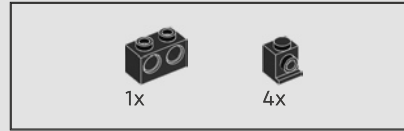
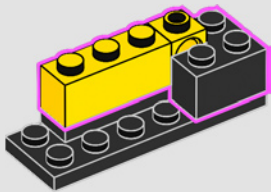




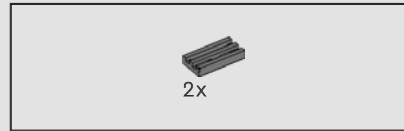
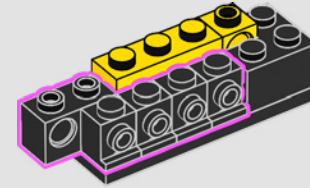
224



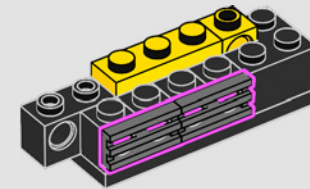
225

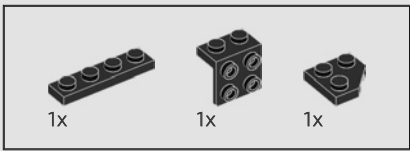


226

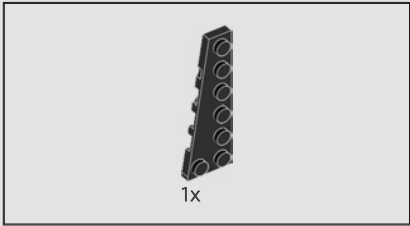
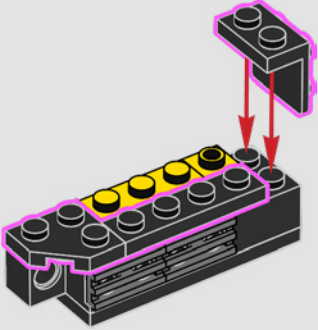


227

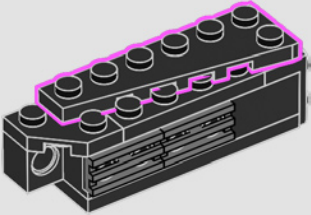




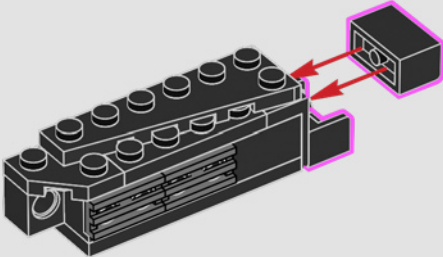
228



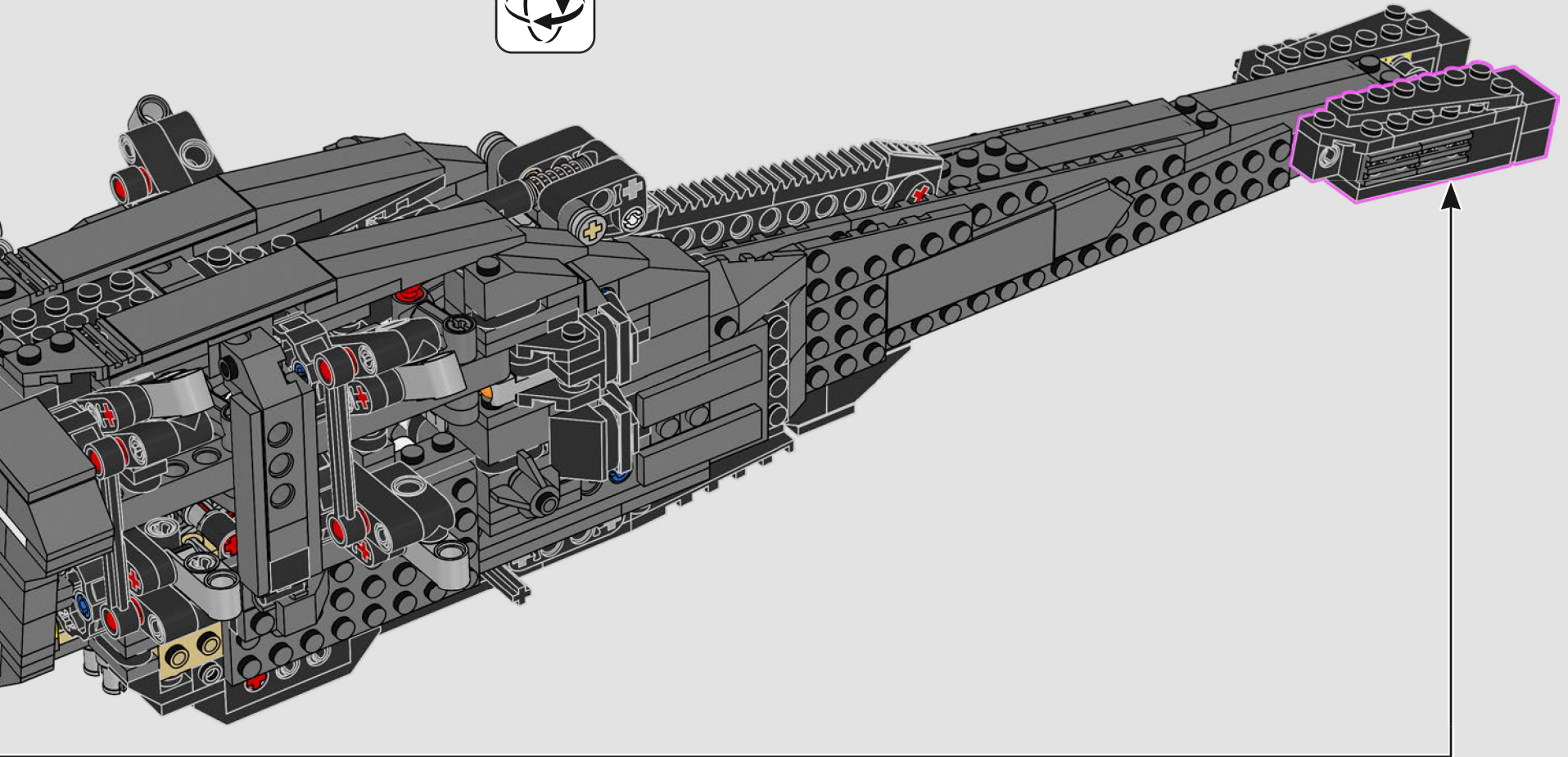
229

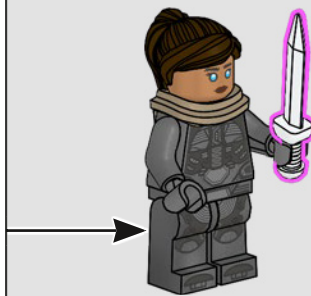
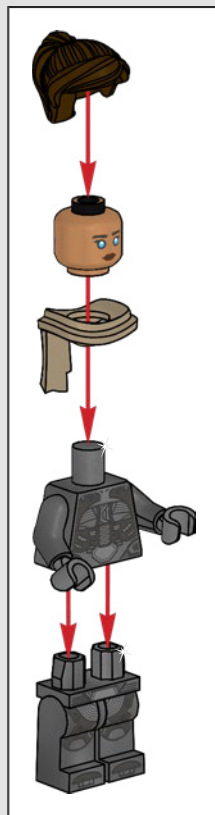


230

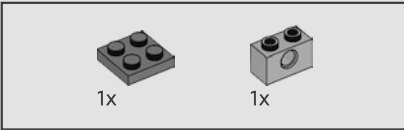
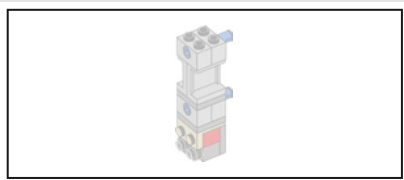


231

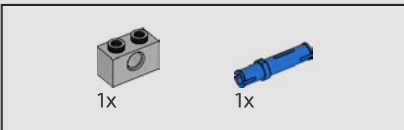
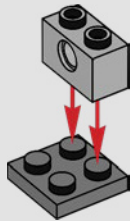




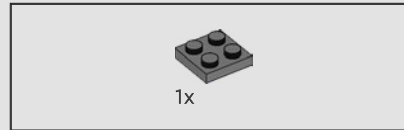
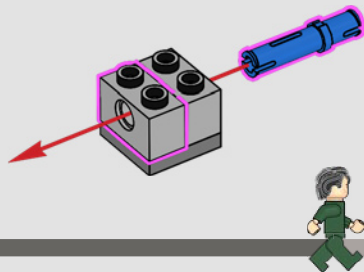




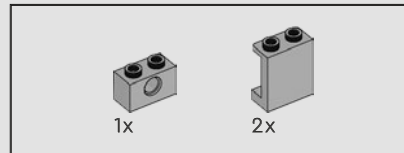
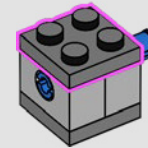
232



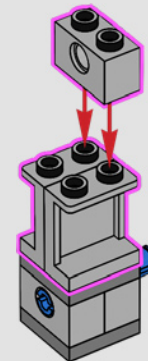
233

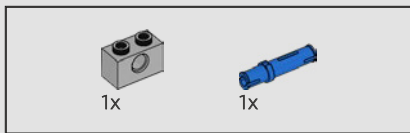


234

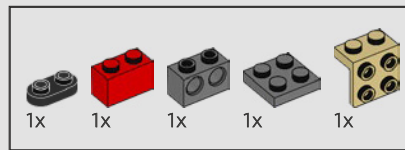
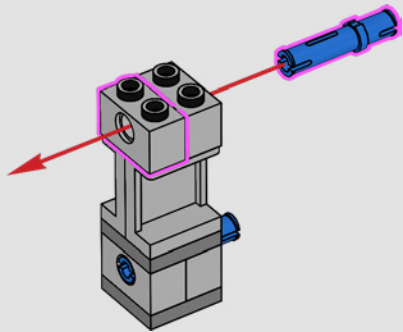


235

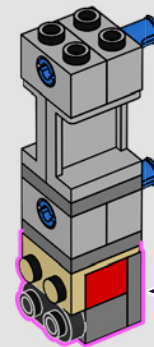
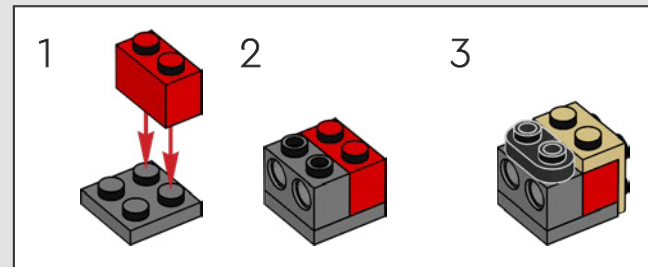




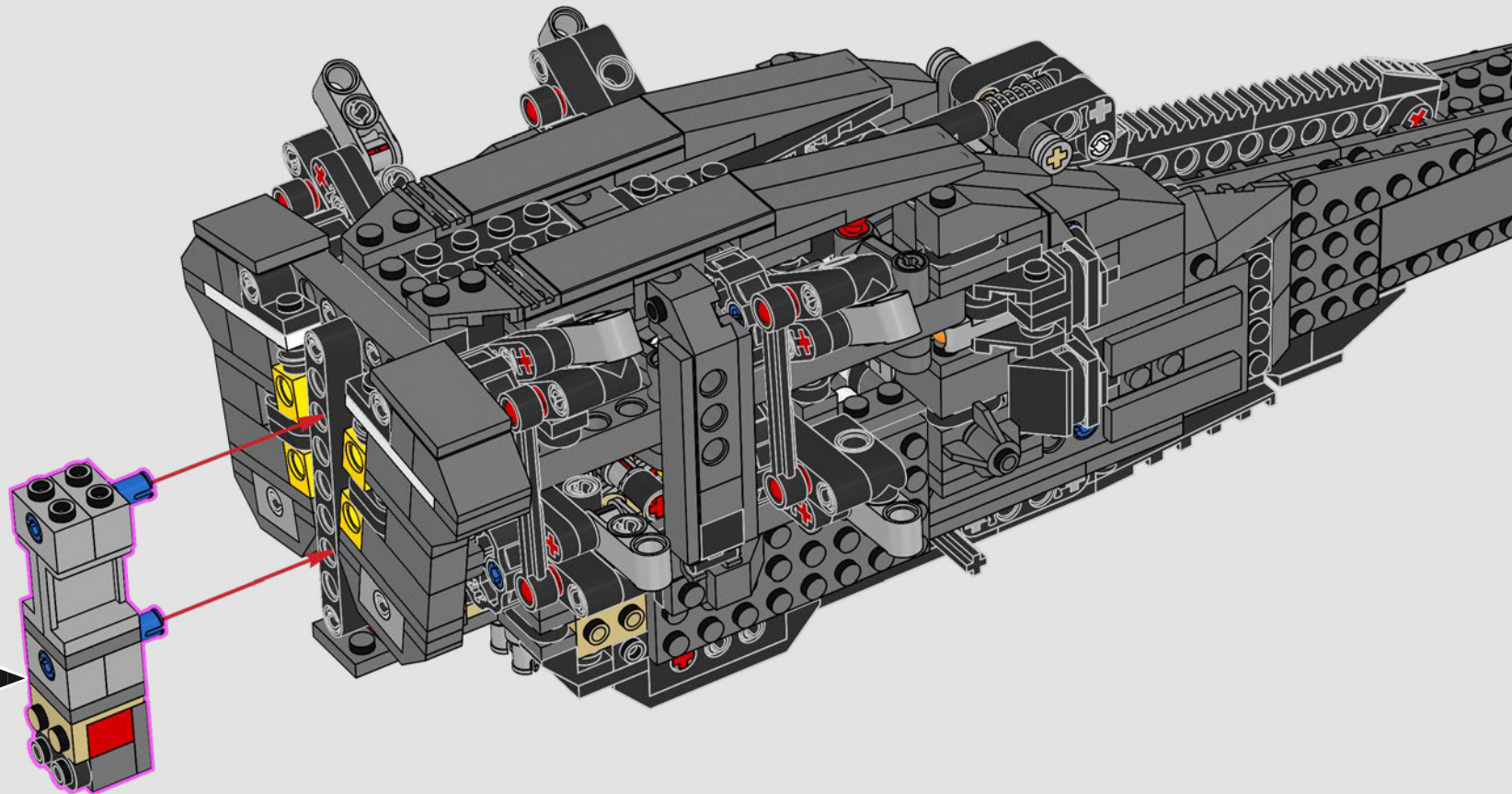
236

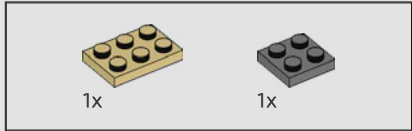
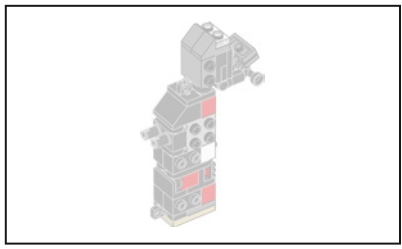


237

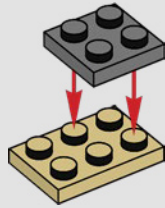


238

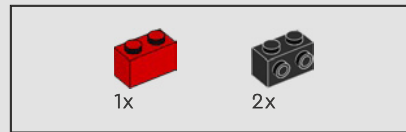
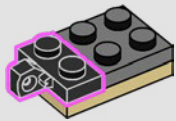




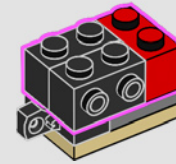
239



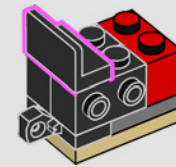
240

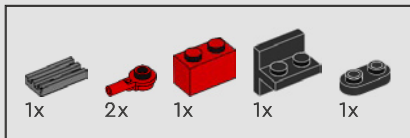


241

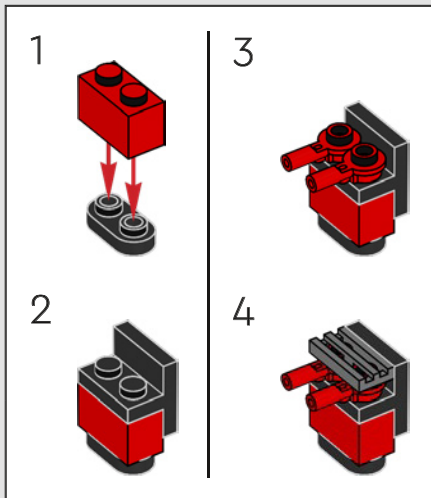
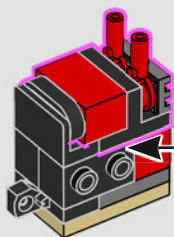


242

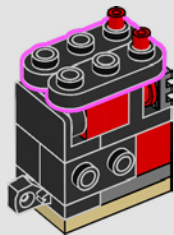




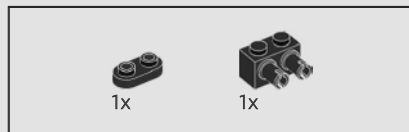
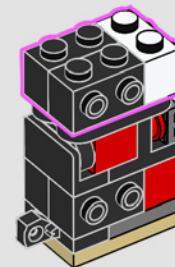
243



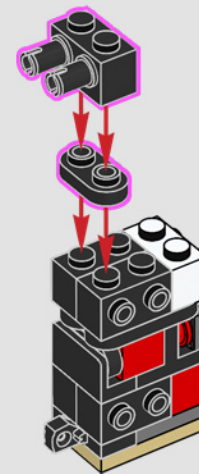
244



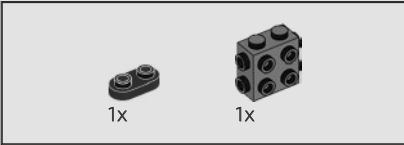
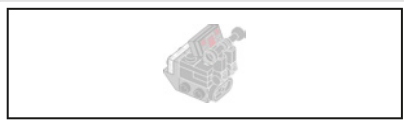
245



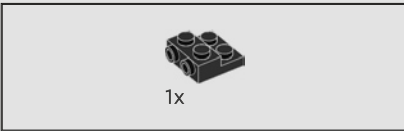
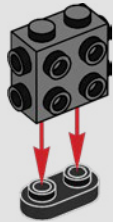
246



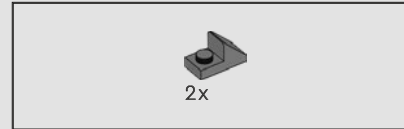
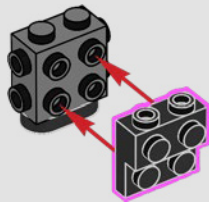




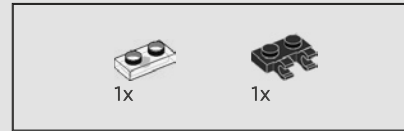
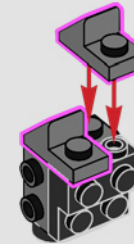
250



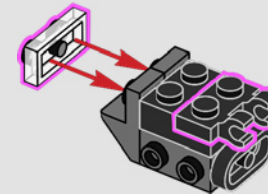
251

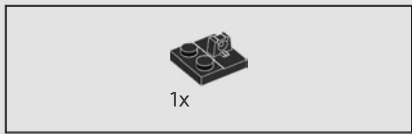


252

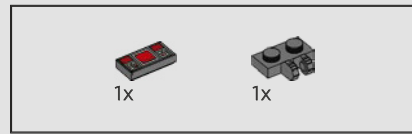
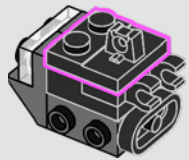


253

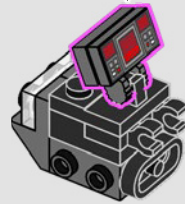
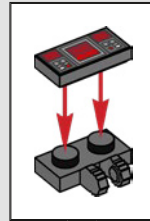




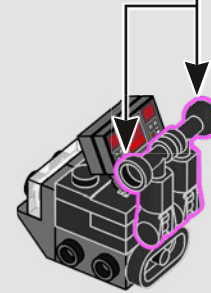
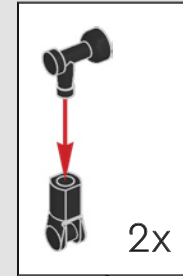
254



255

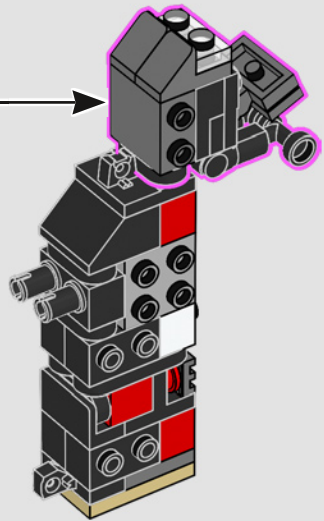


256

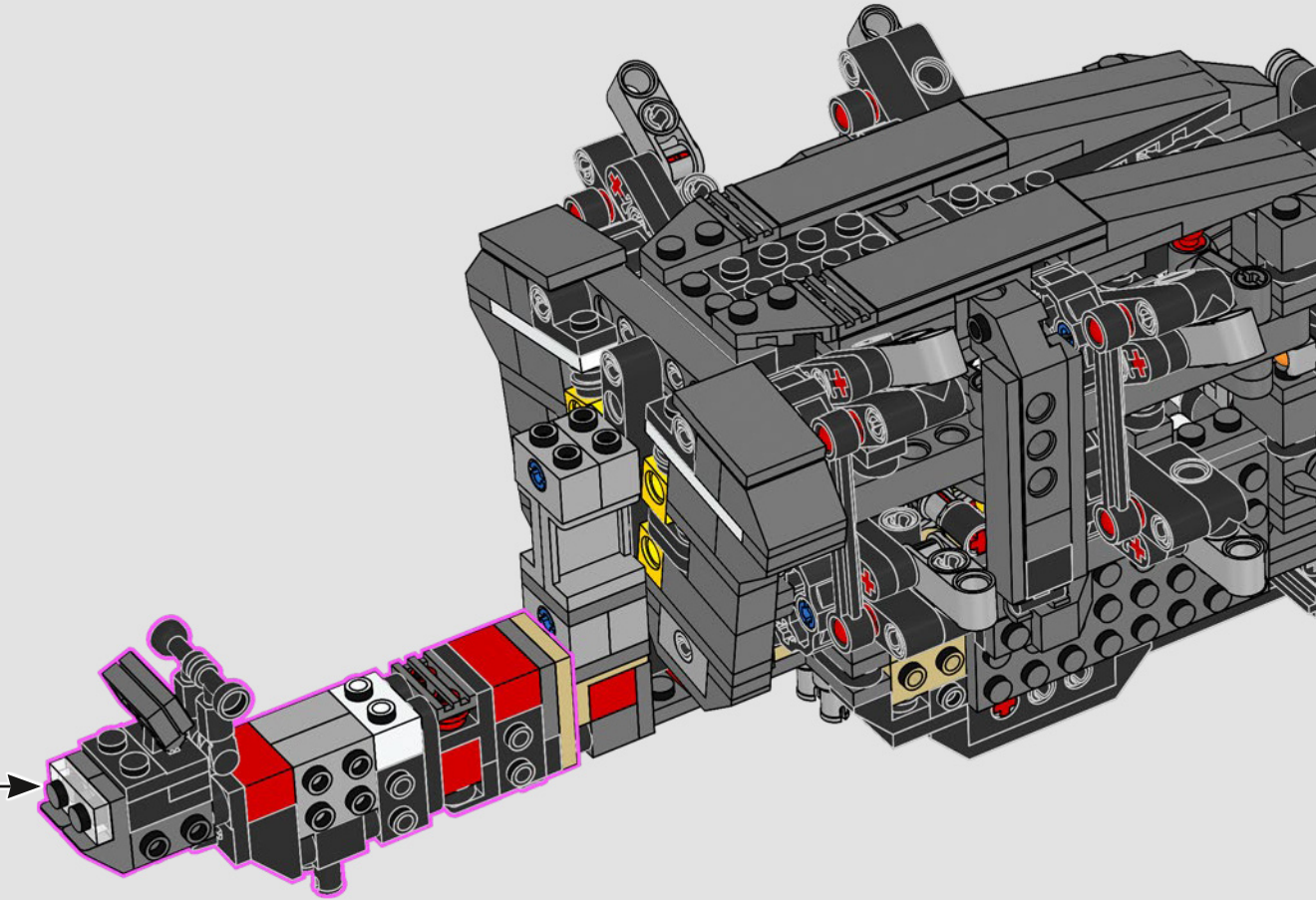


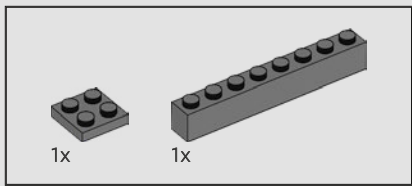


257

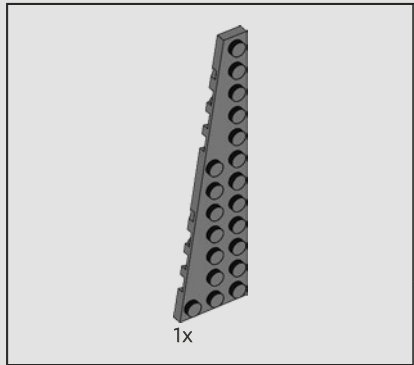
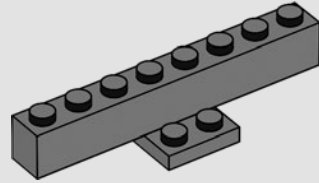


258

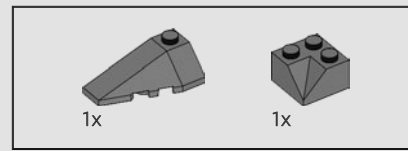
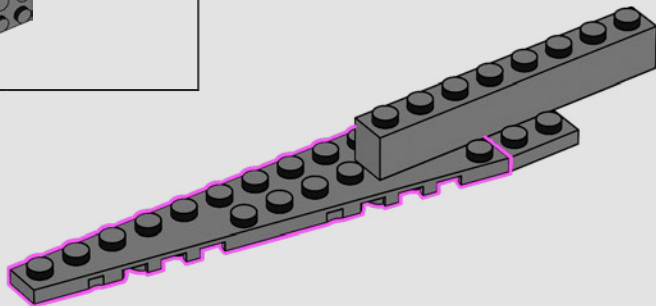




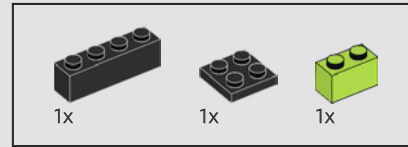
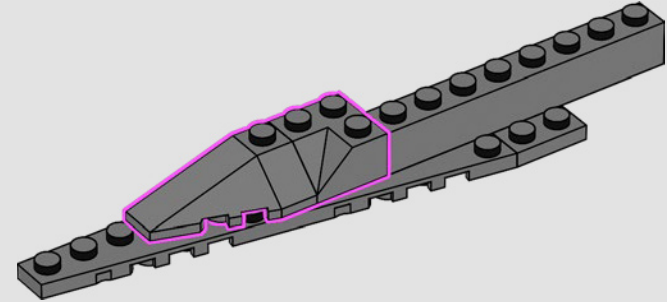
259



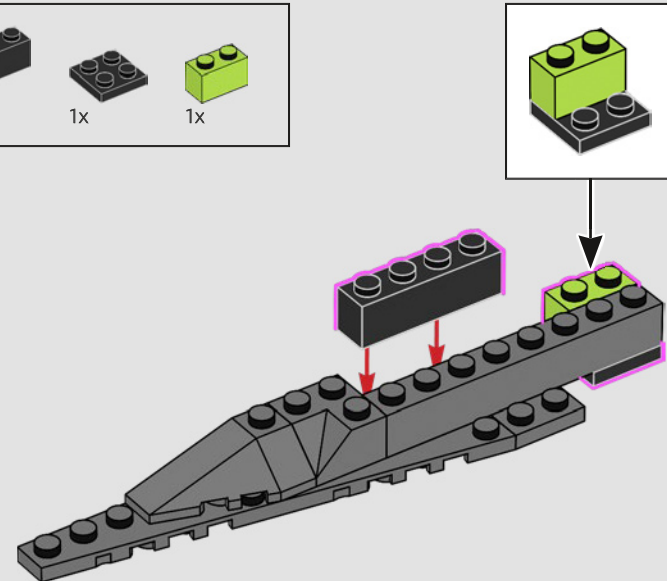
260

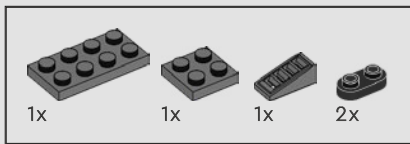


261

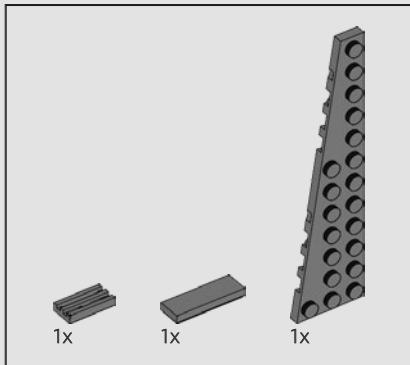
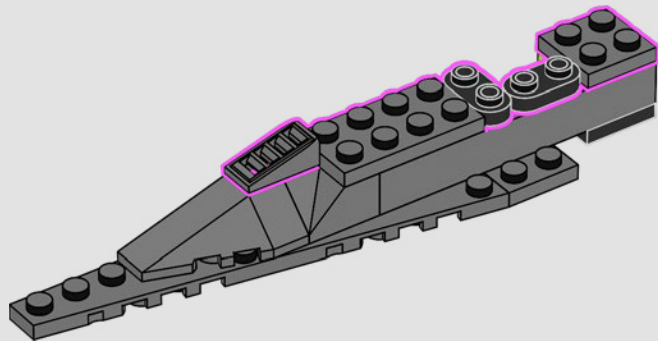


262

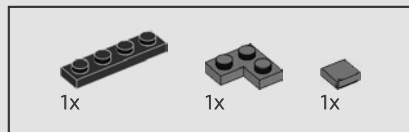
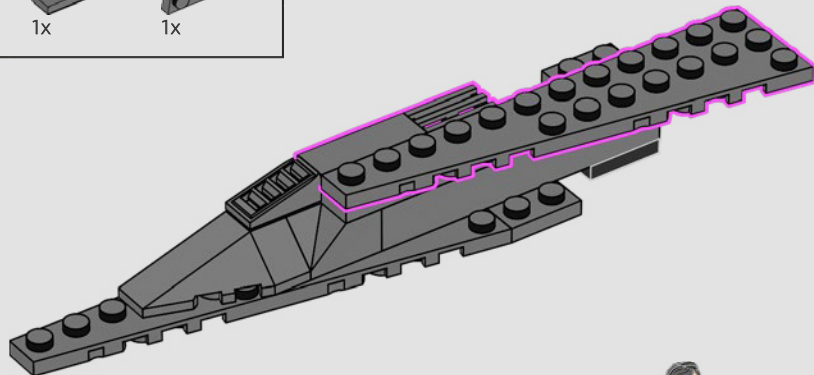




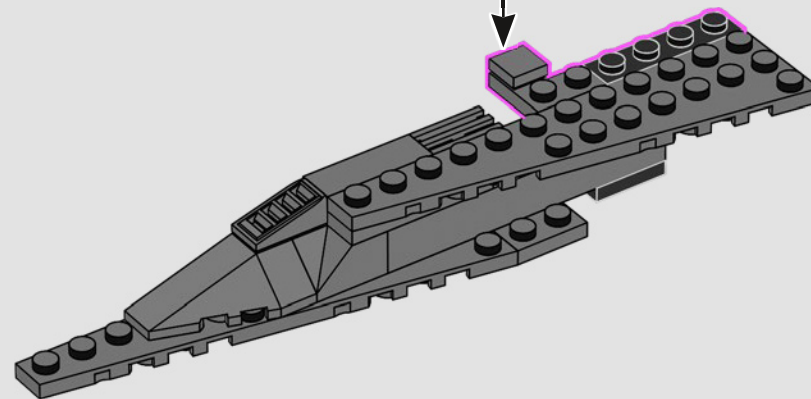
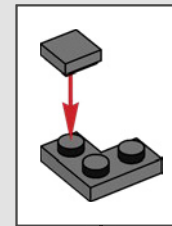
263



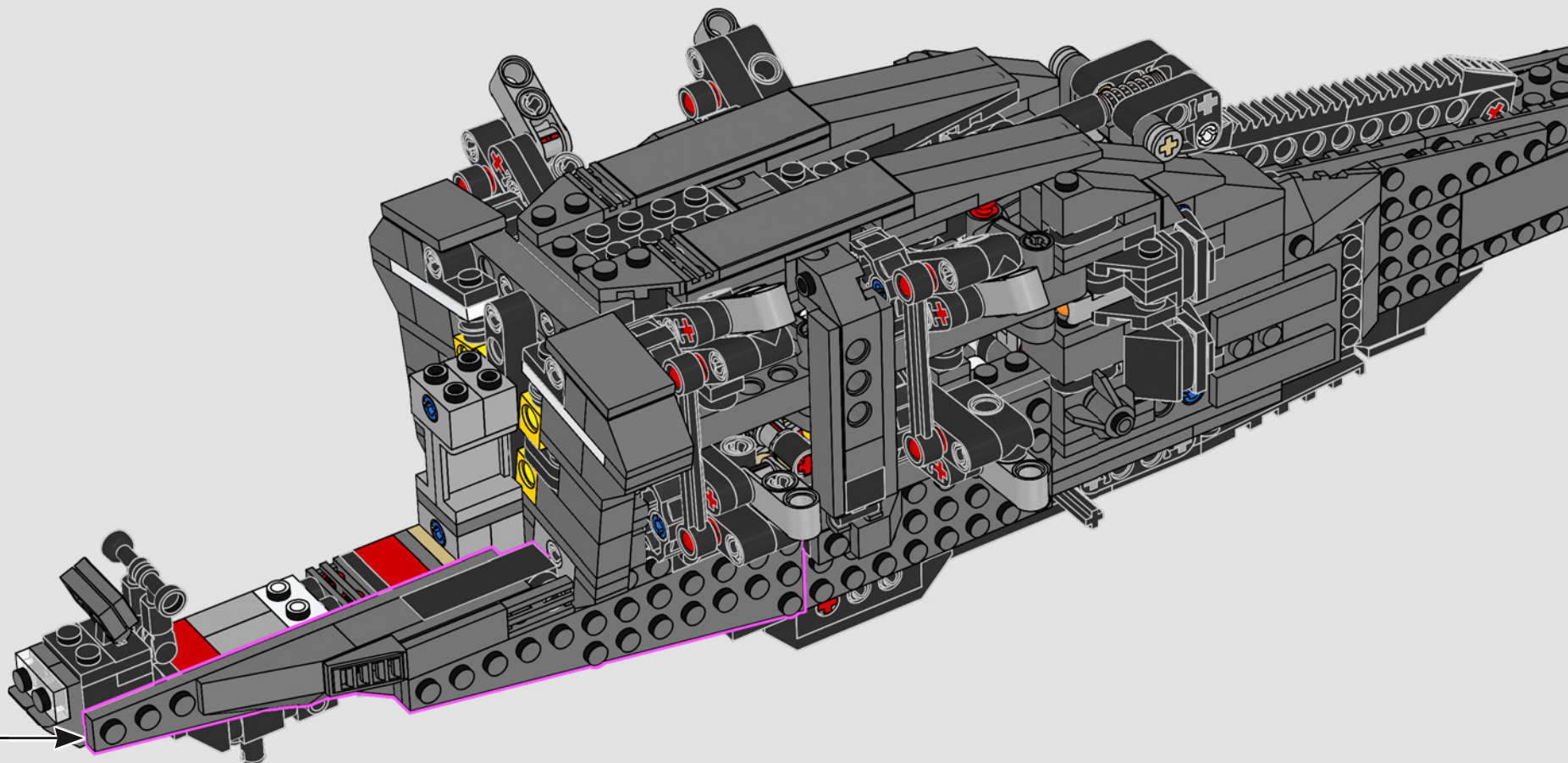
264

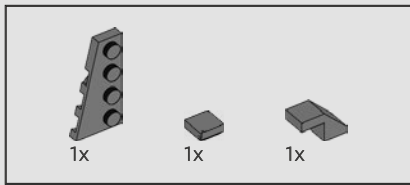


265

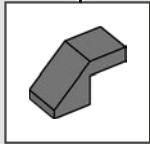
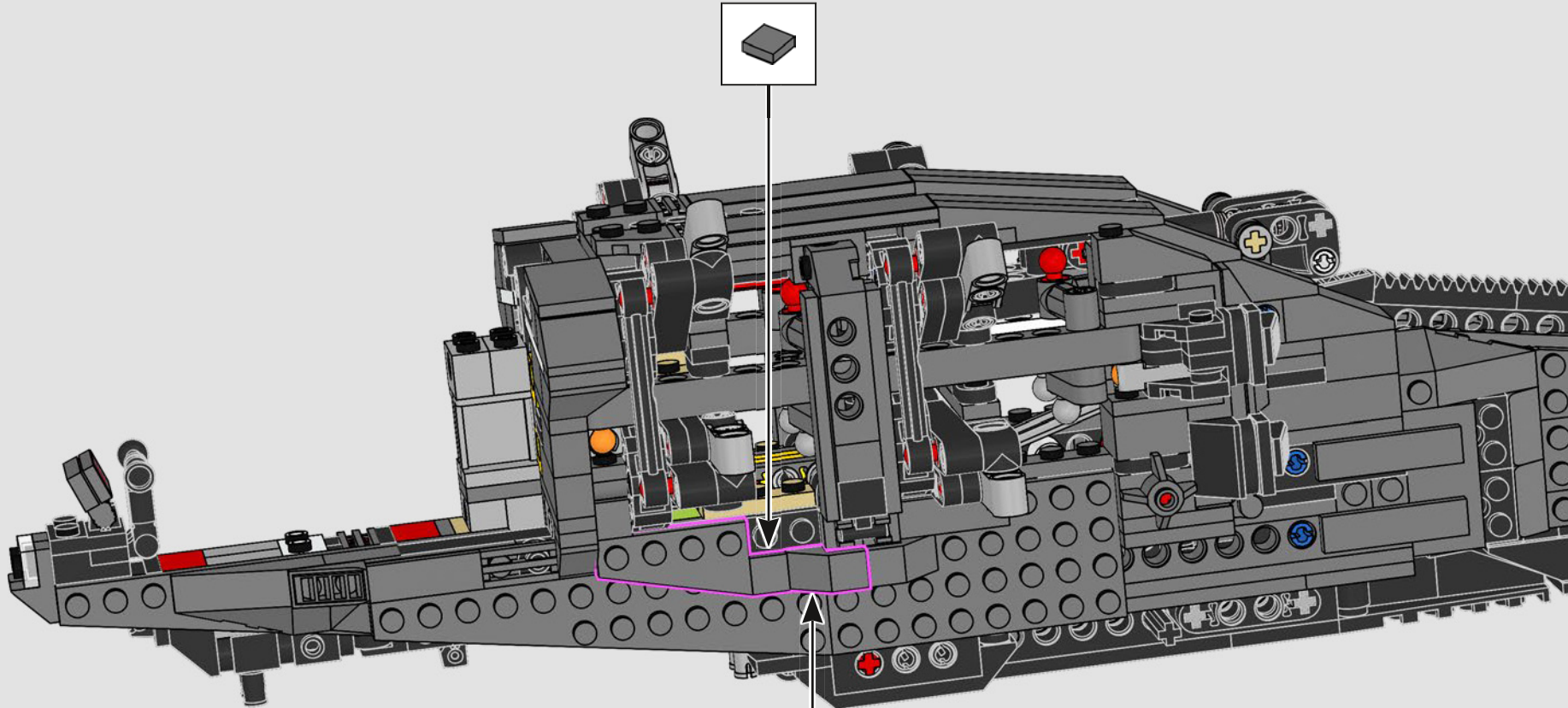


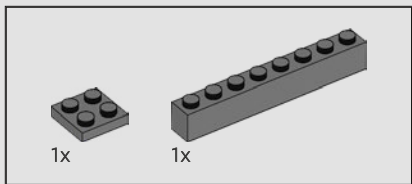
266



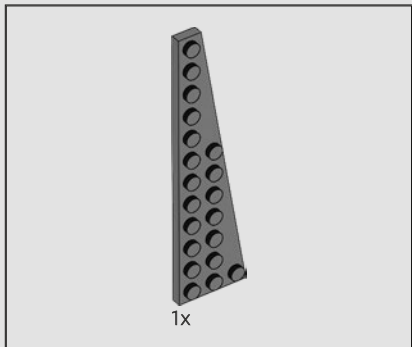
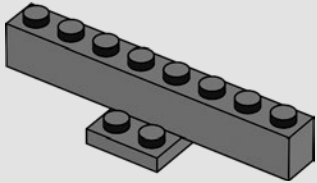


267

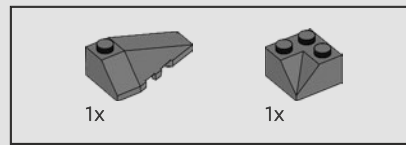
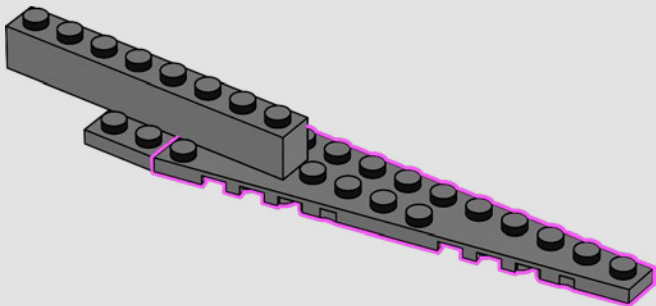




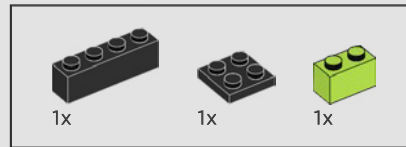
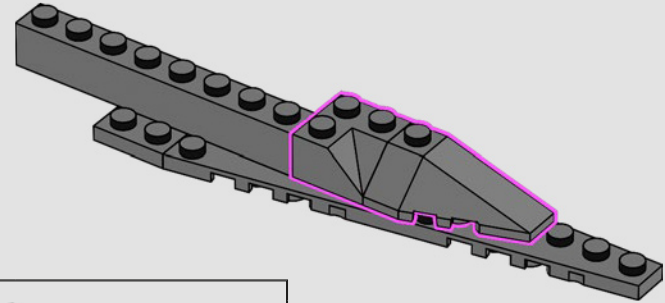
268



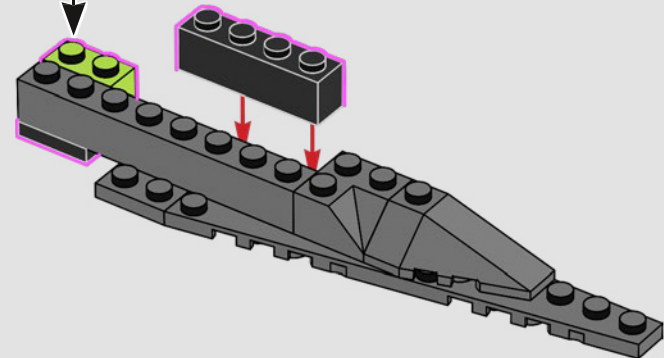
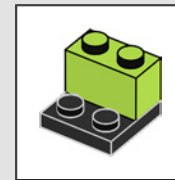
269

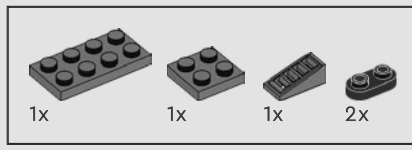


270

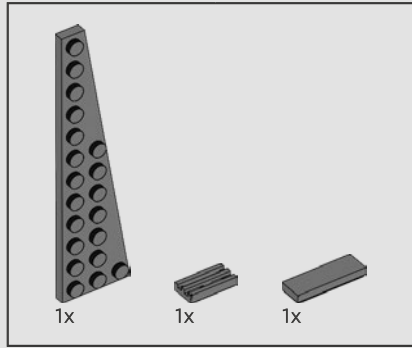
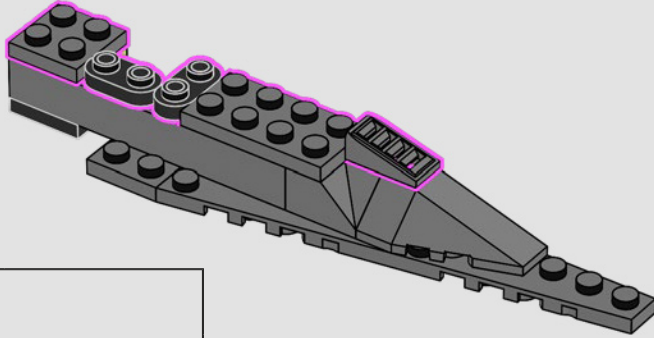


271

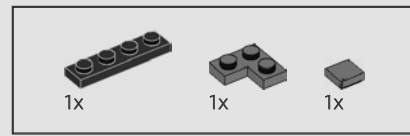
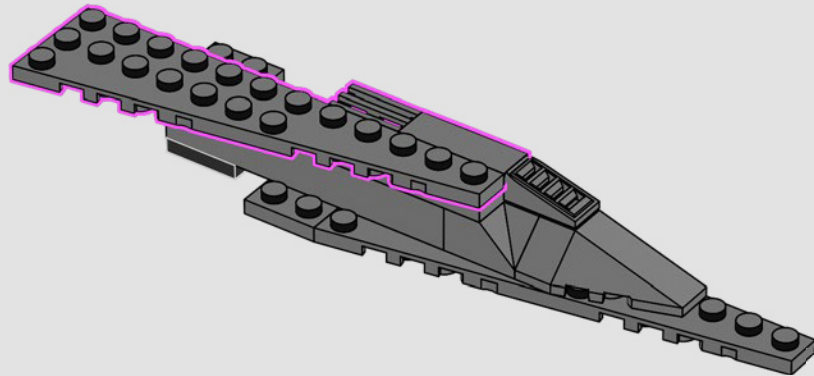




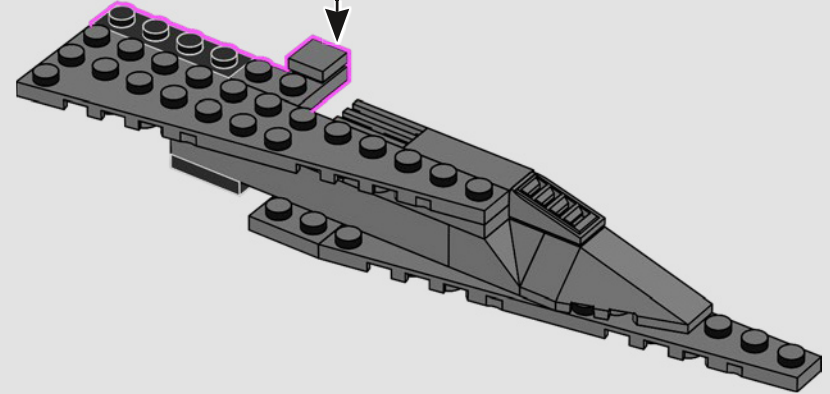
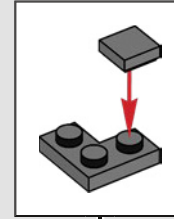
272



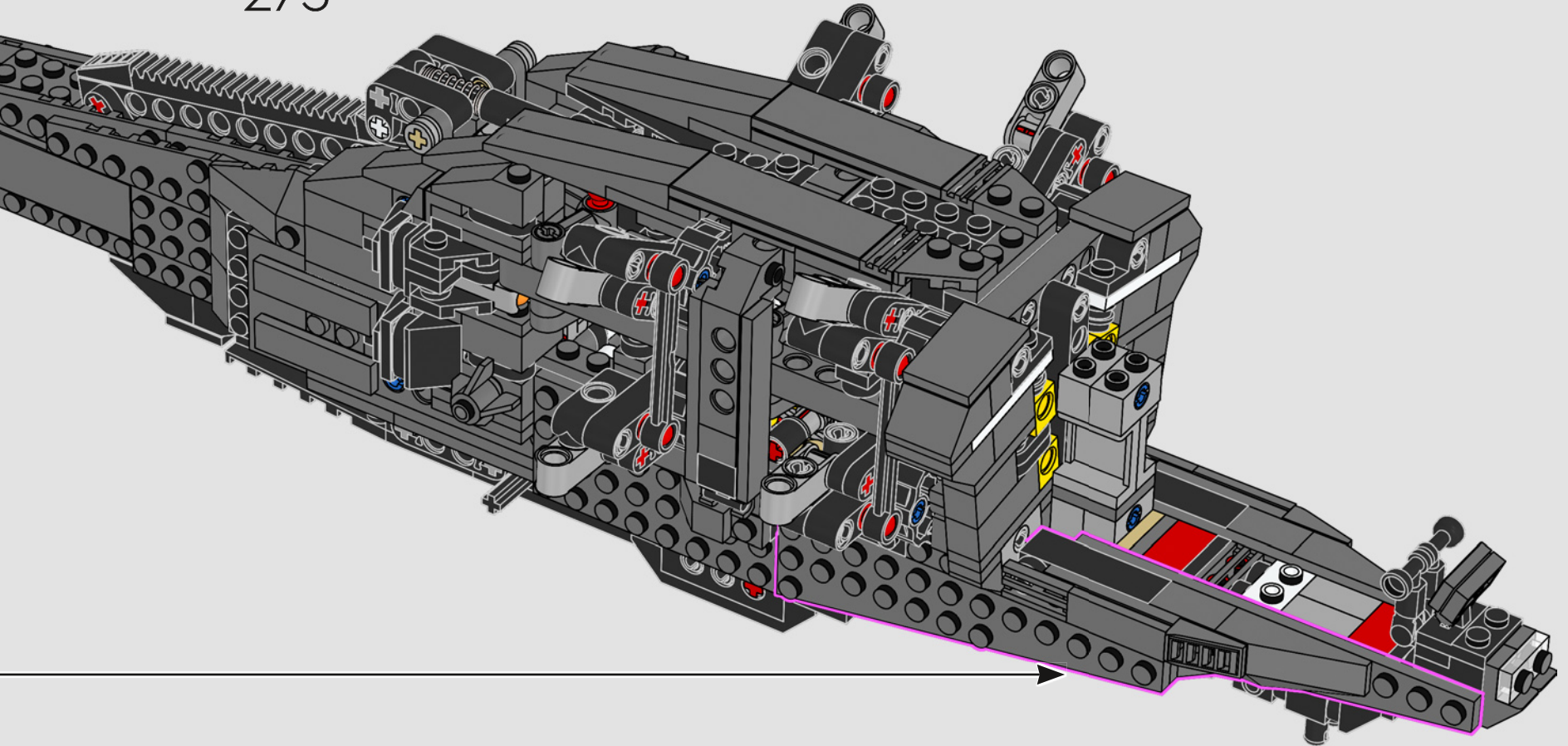
273



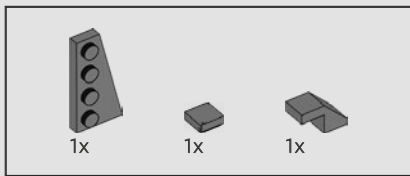
274



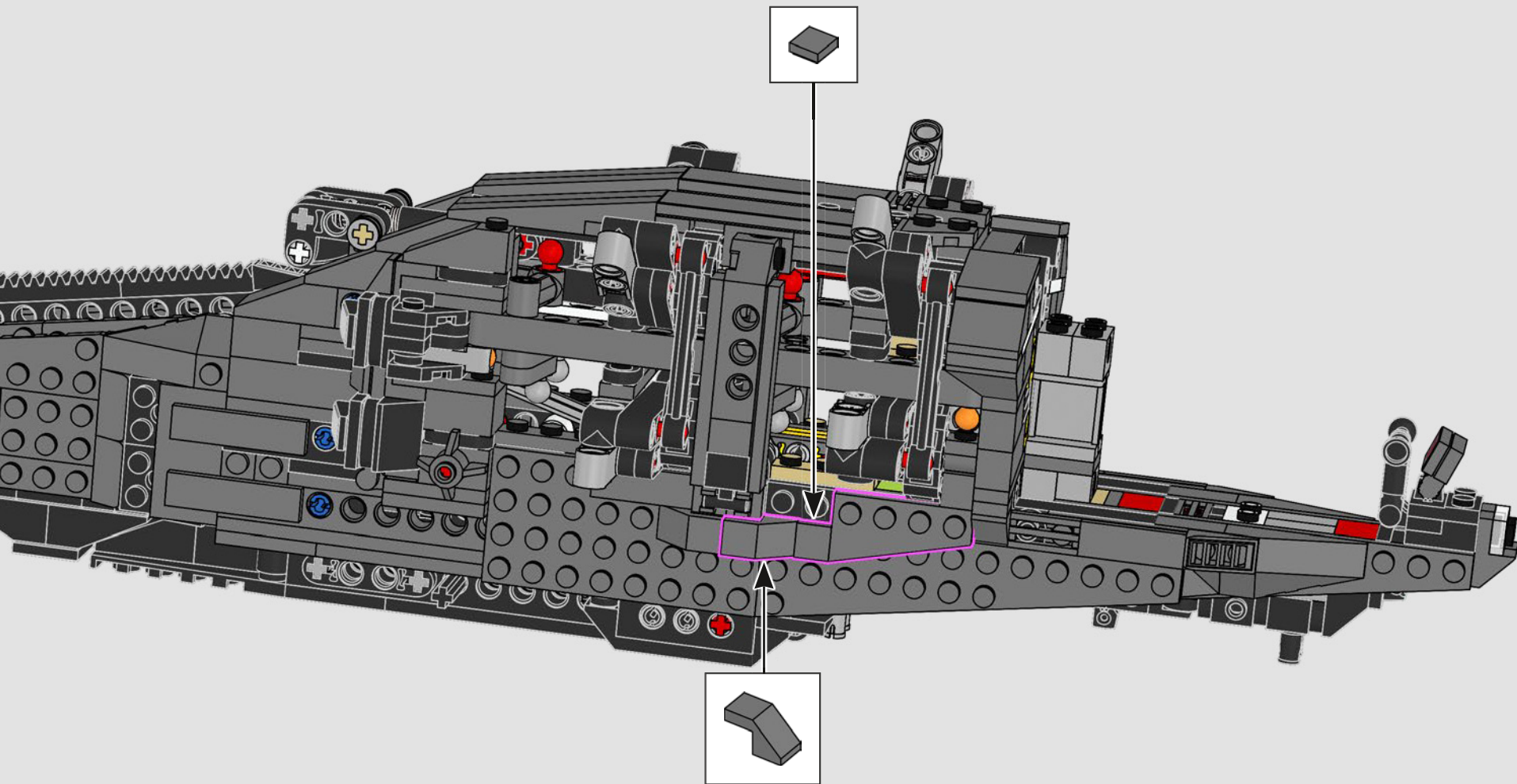
275

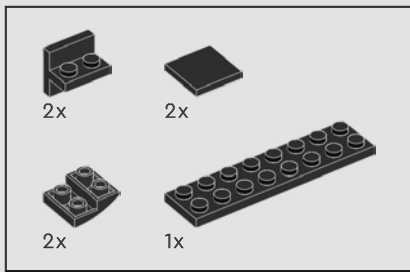




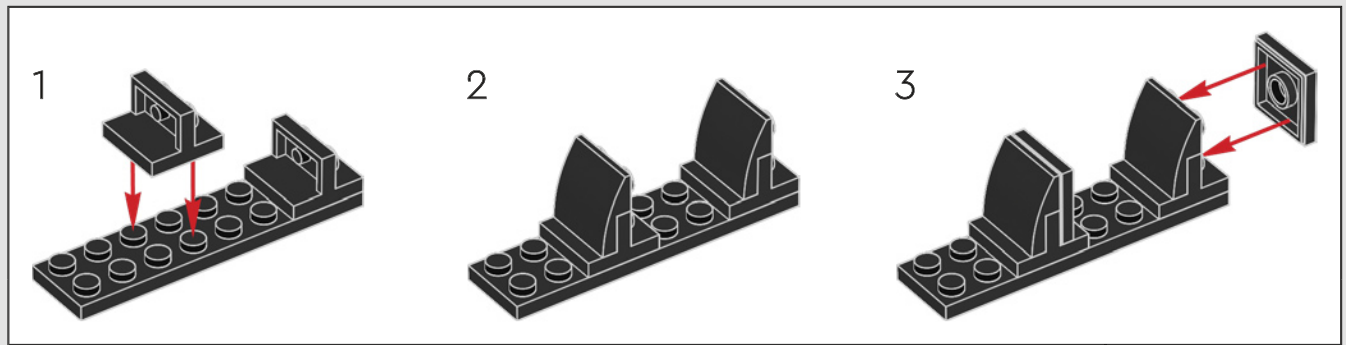


276

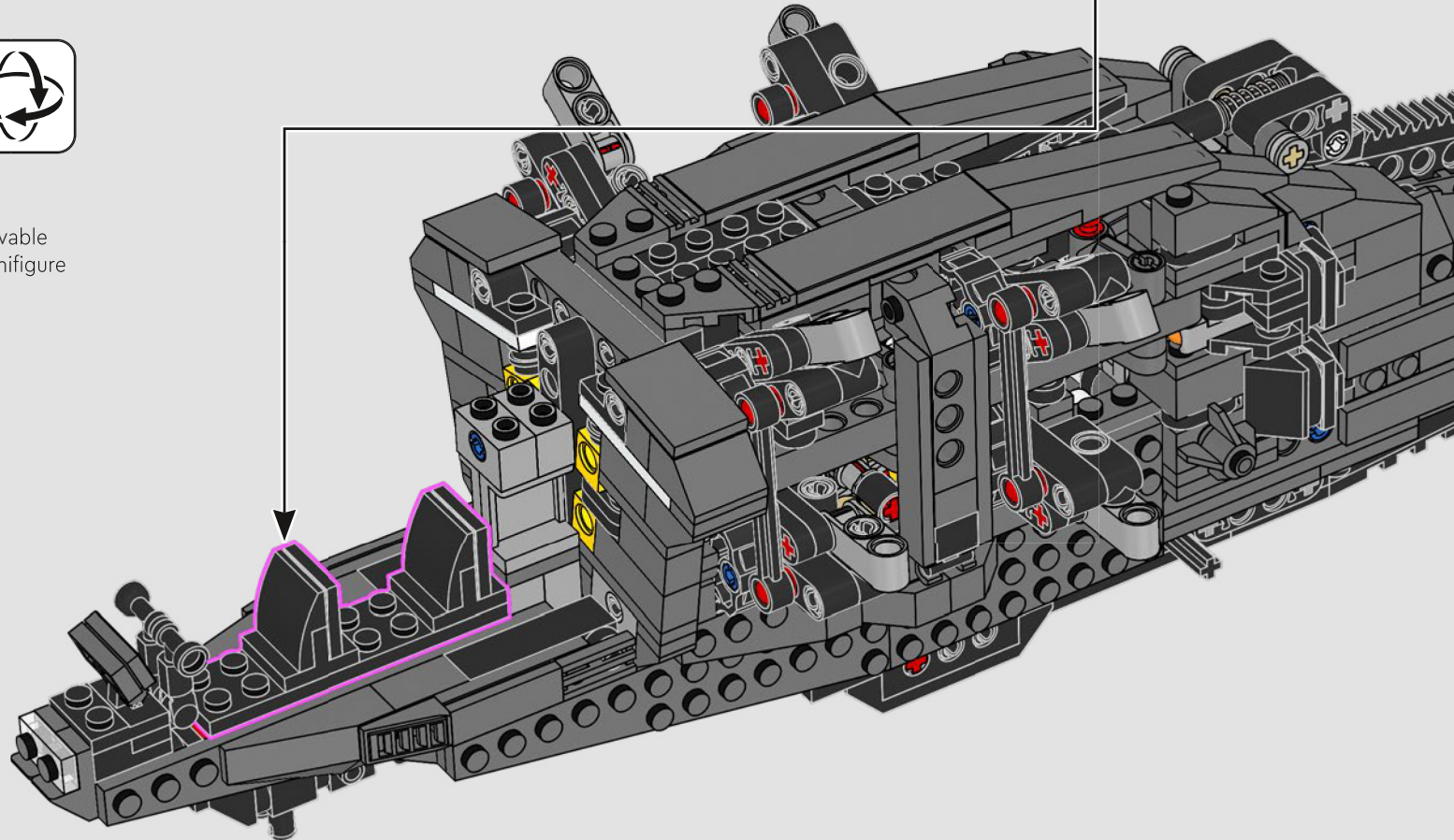


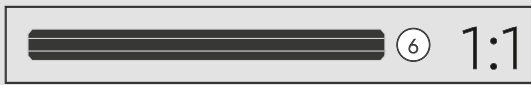
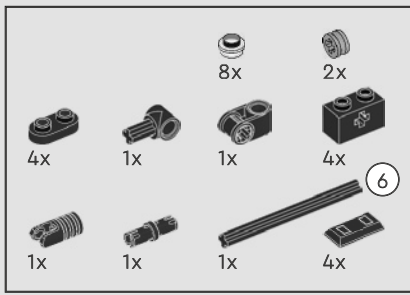


277



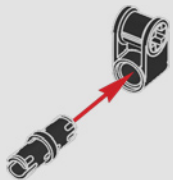
The two cockpit seats are built as a removable section to make it easier to place your minifigure characters in the cockpit.





278

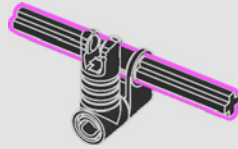
1



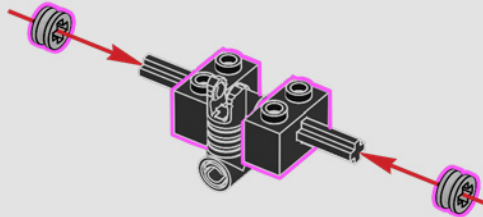
2



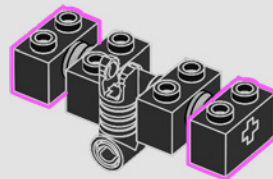
3



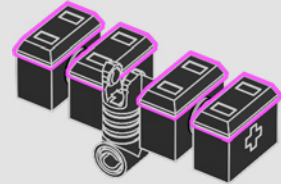
4



5



6



1

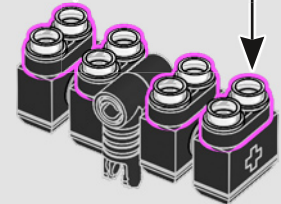


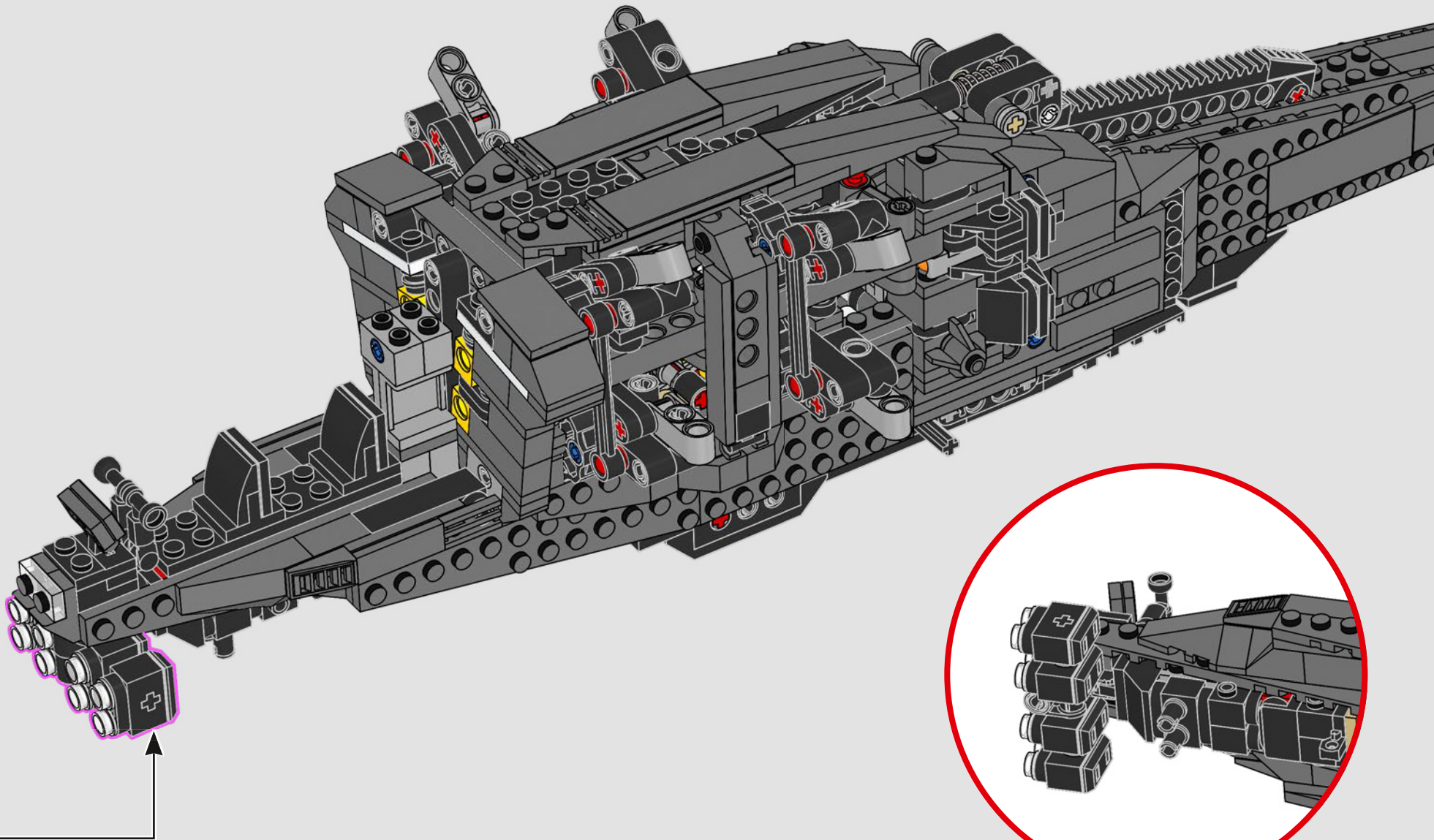
2

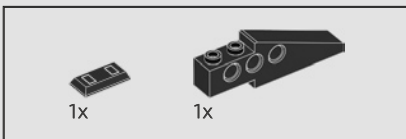
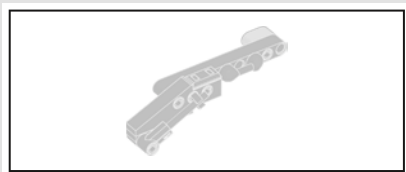


4x

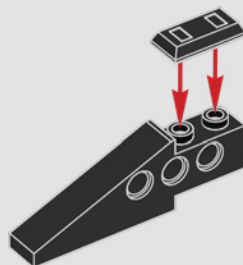
7



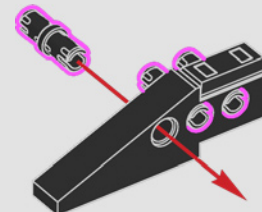




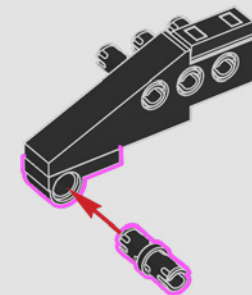
279



280

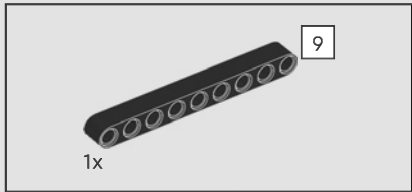
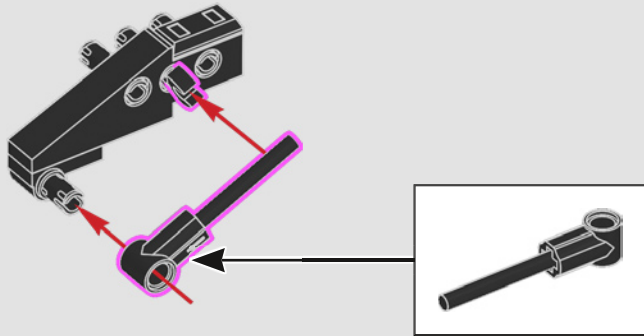


281

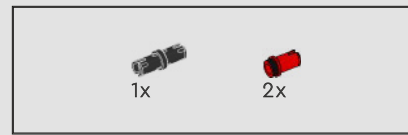
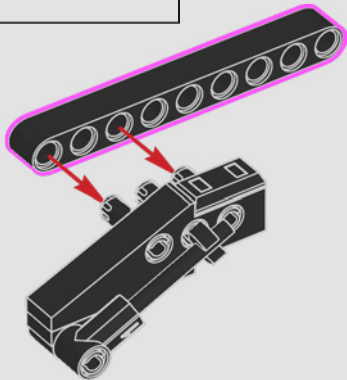




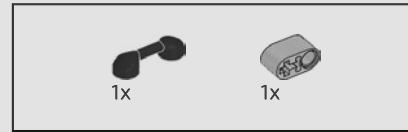
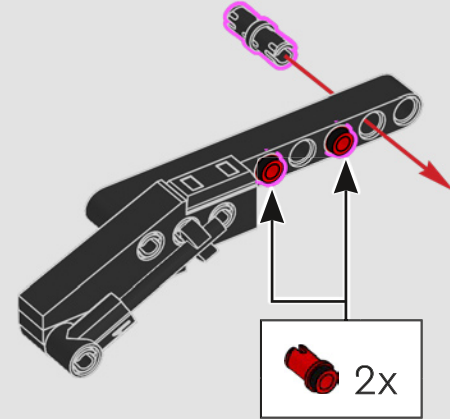
282



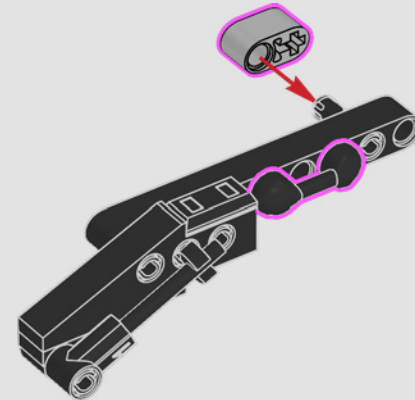
283

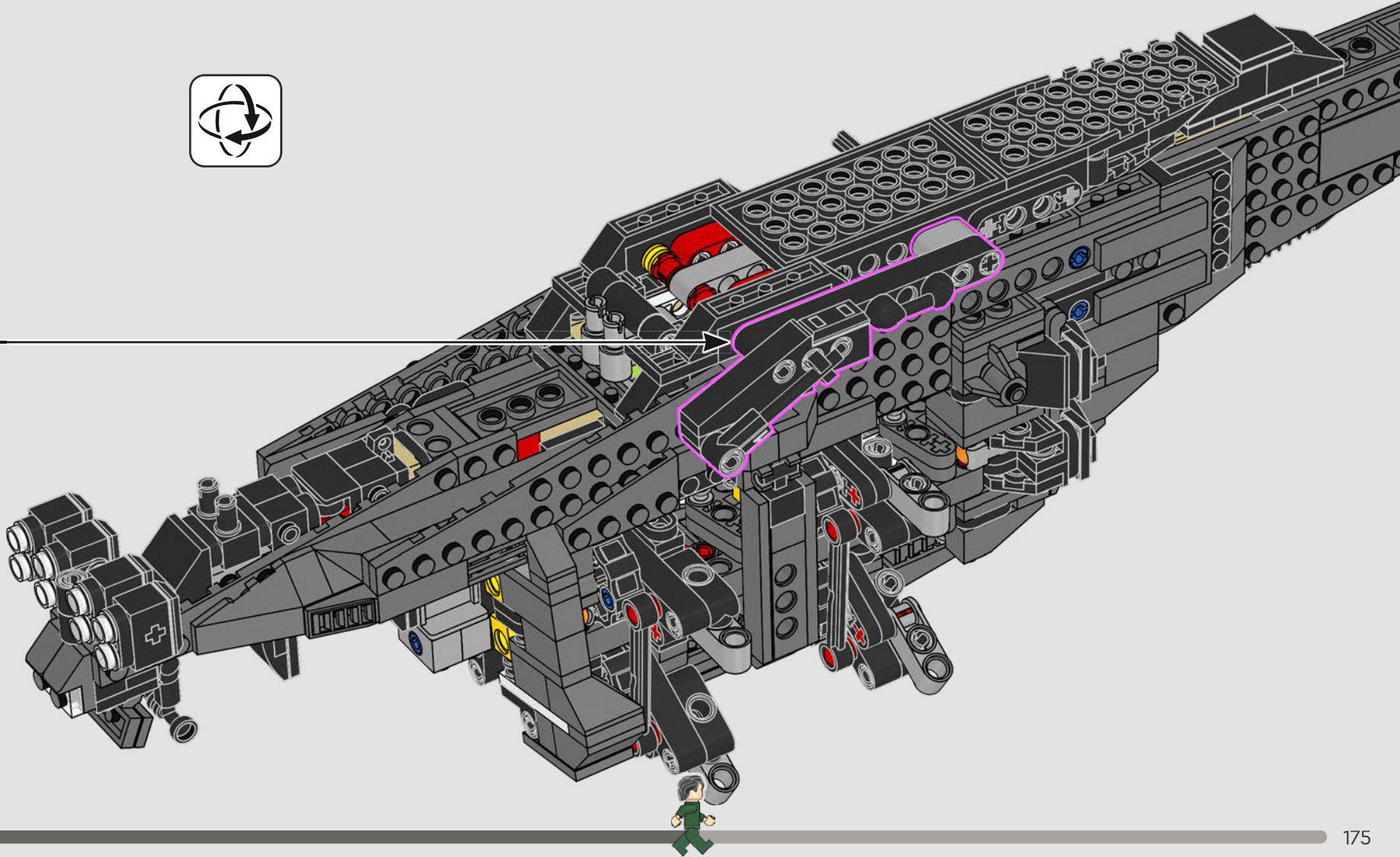


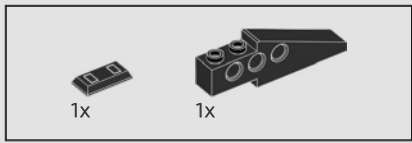
284



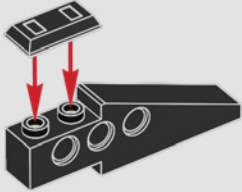
285



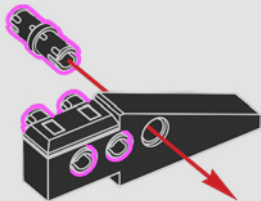




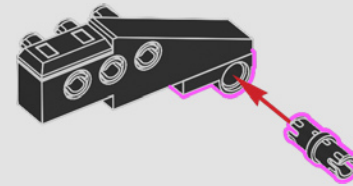
287



288



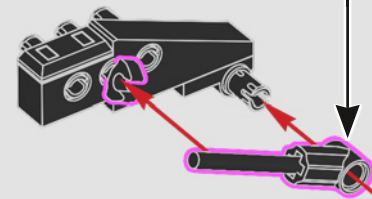
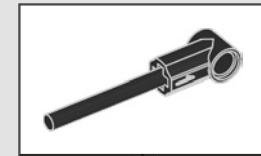
289



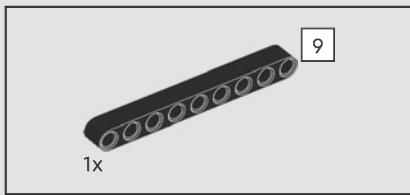
This wing brick provides the perfect angle to allow the landing feet to sit flat on the ground when extended.



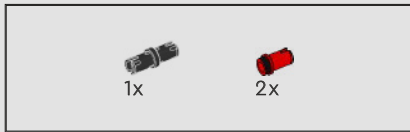
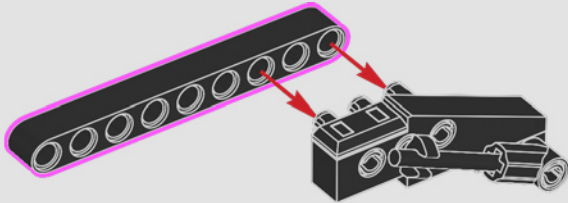
290



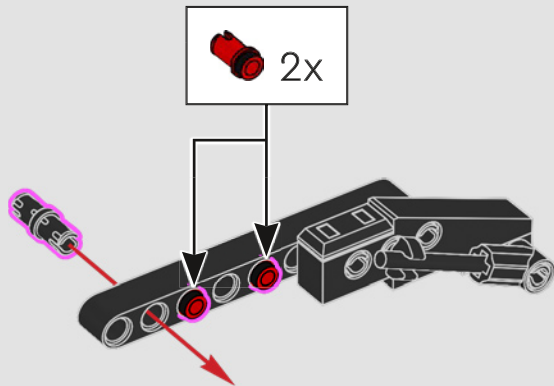




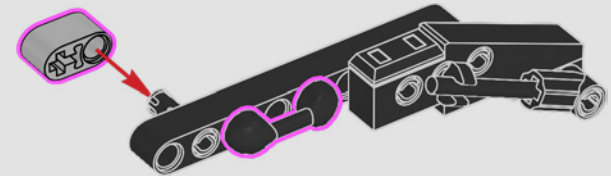
291

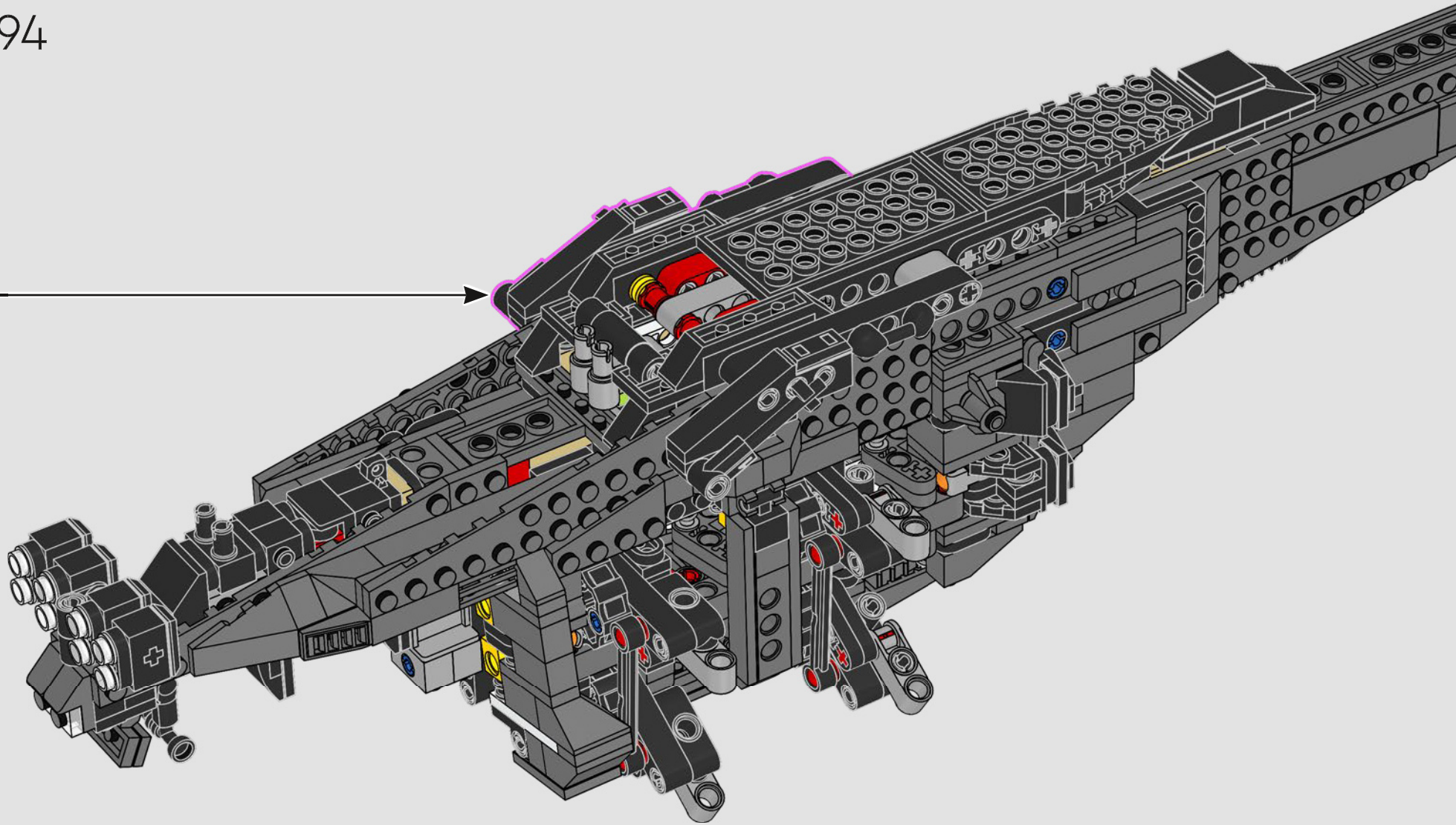


292



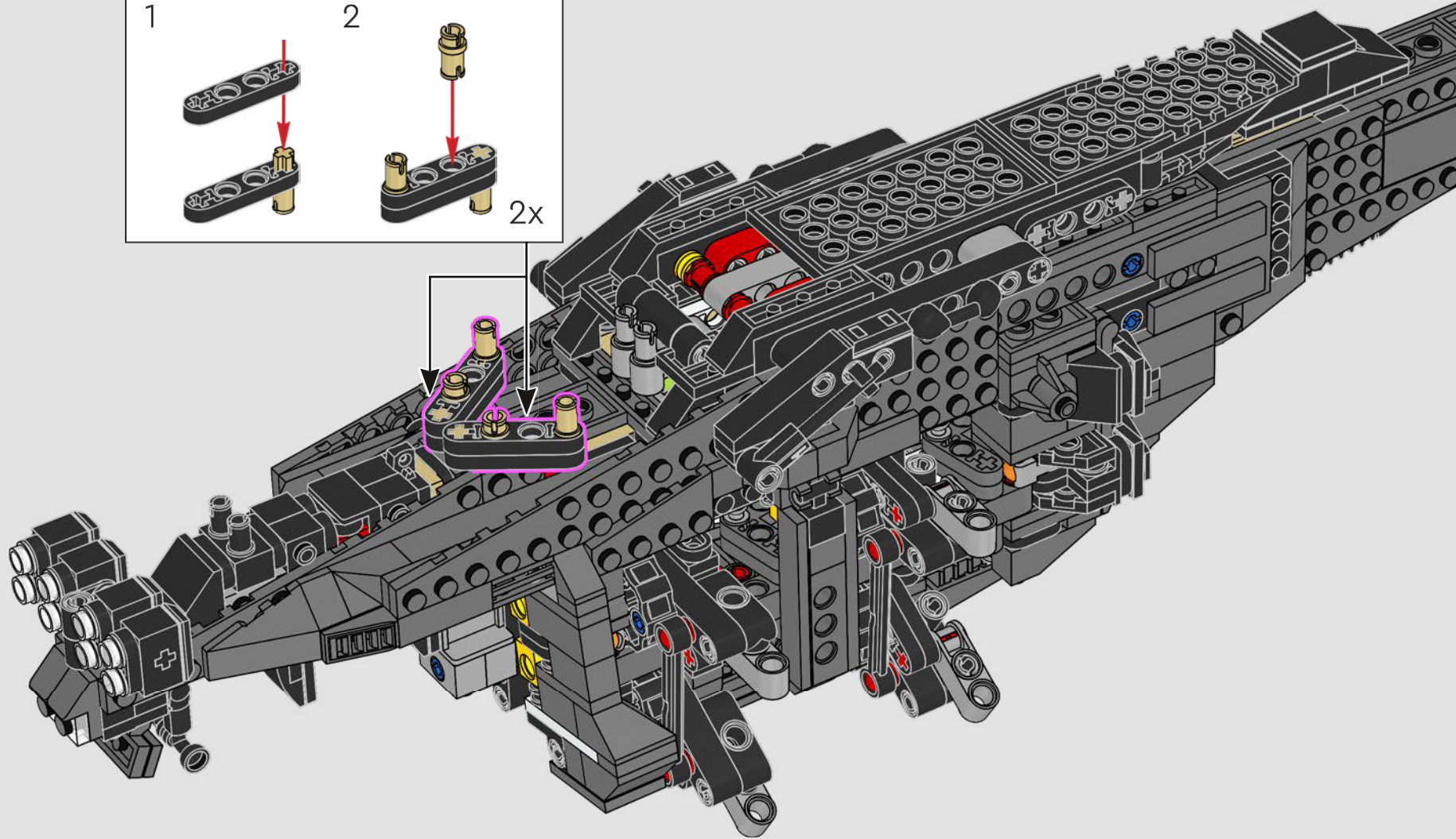
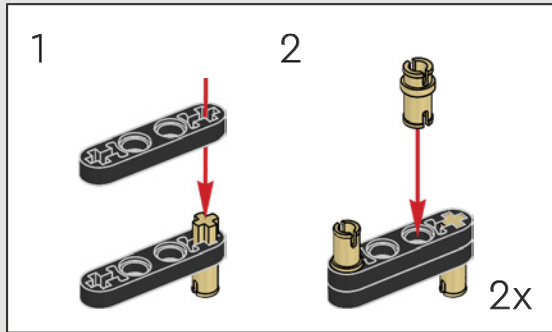
293

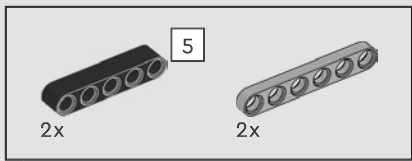




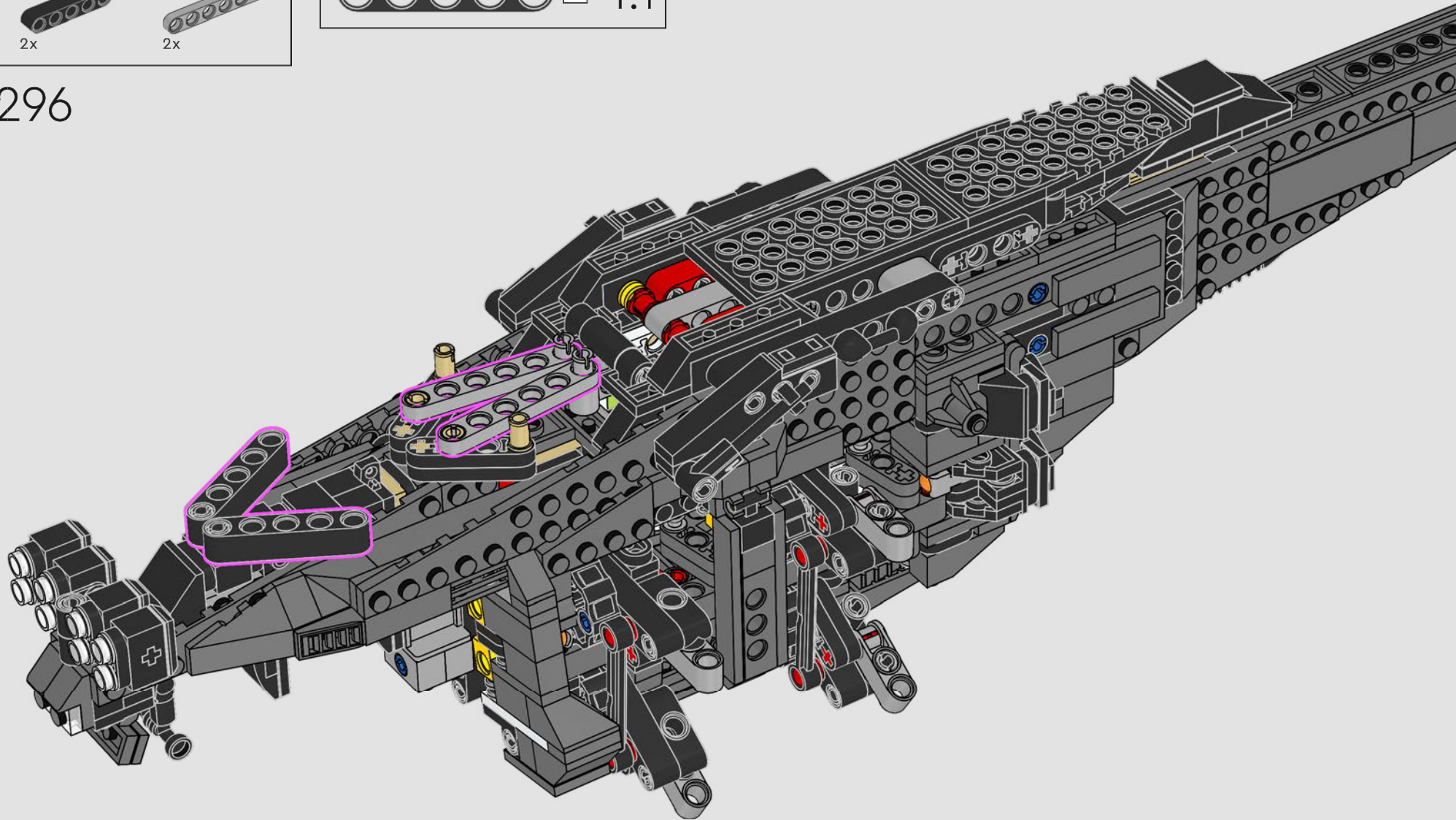


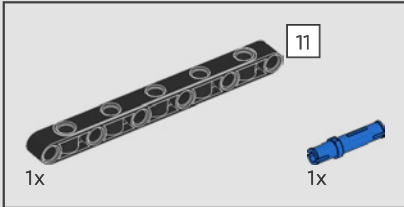
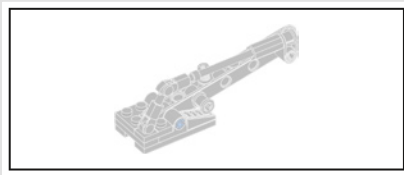
295



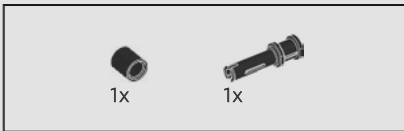
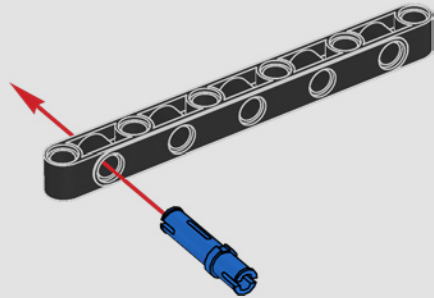


296

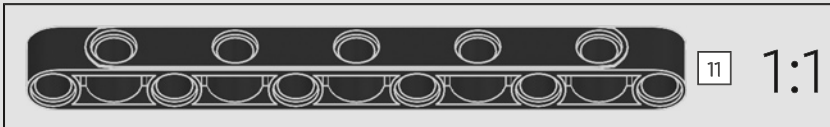
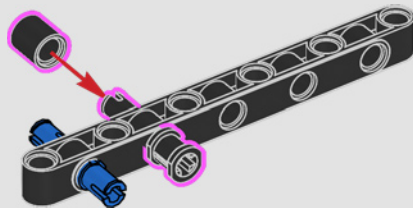




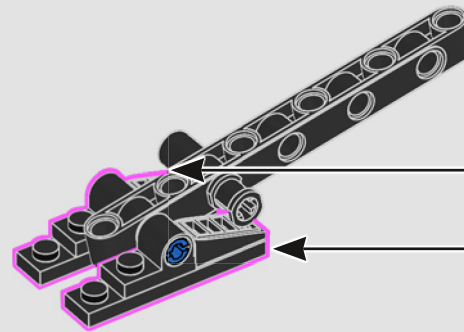
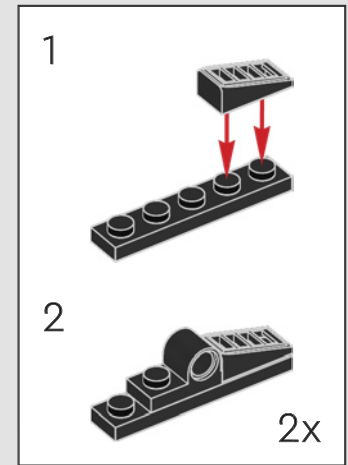
297

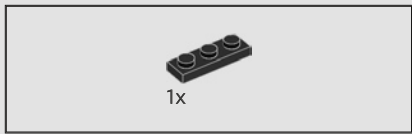


298

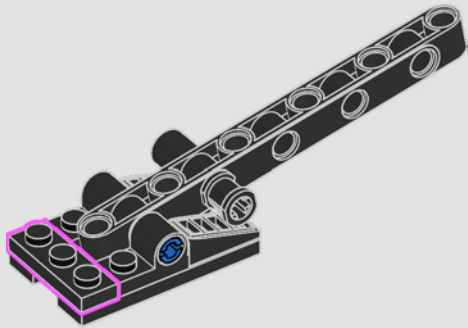


299

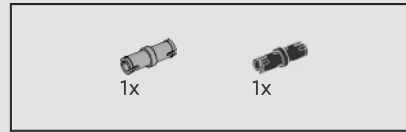
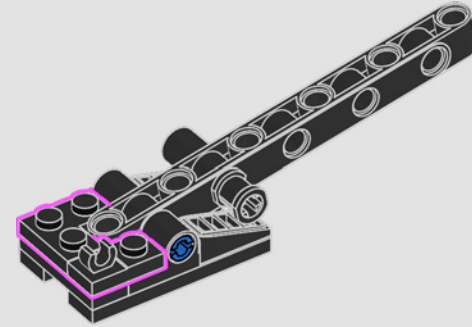




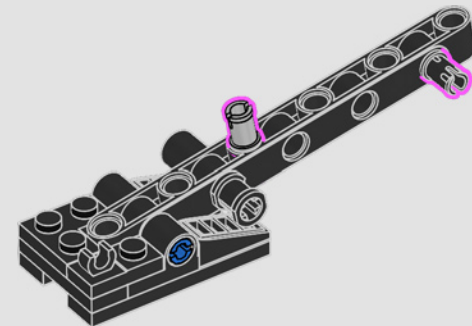
300

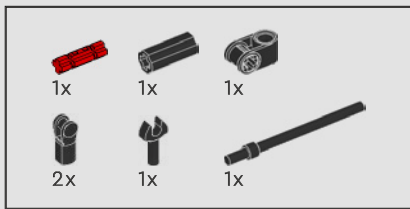


301

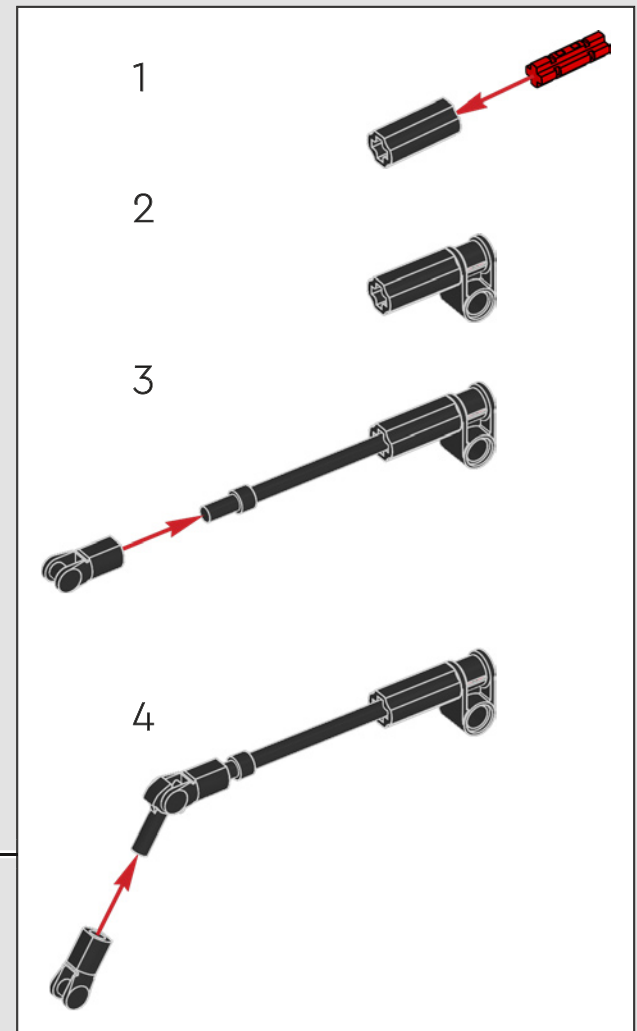
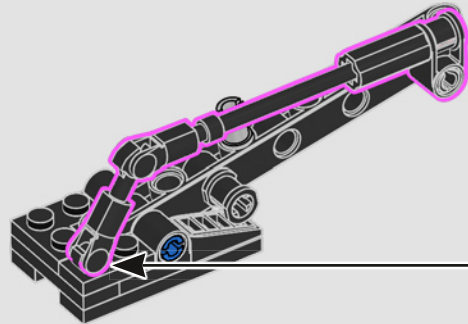


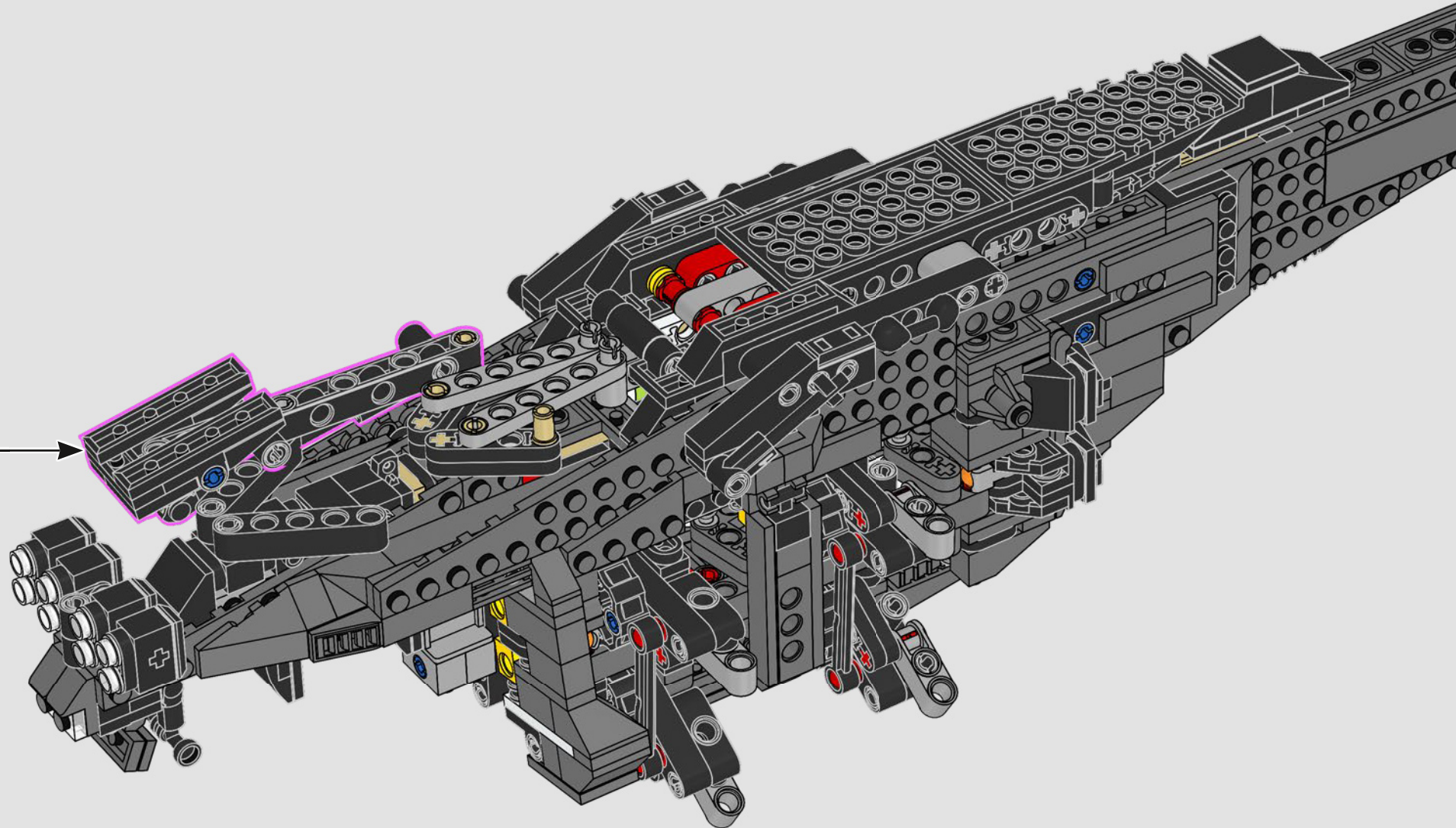
302



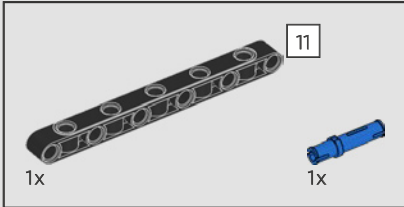
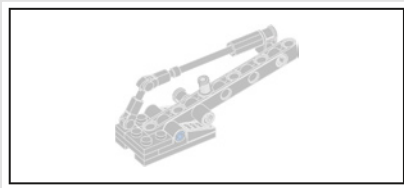


303

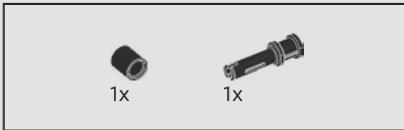
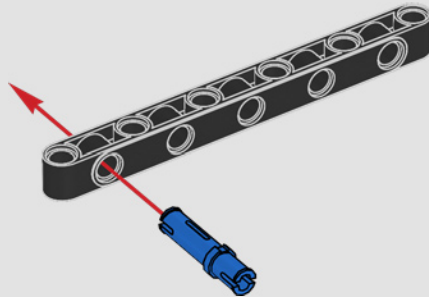




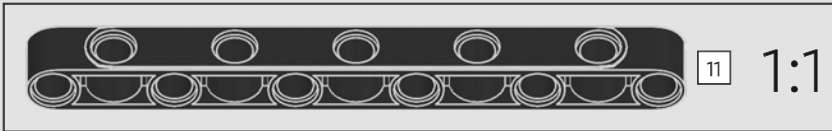
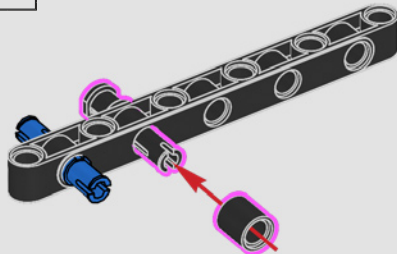




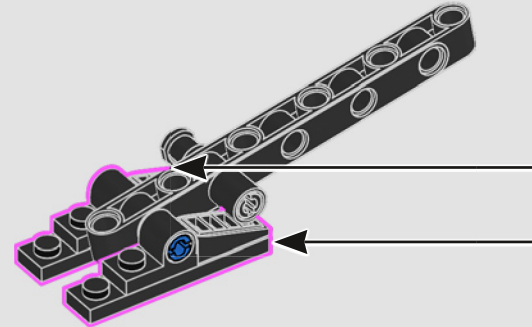
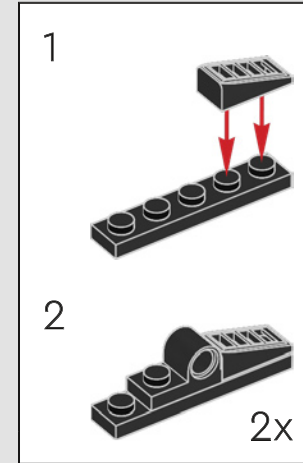
305



306

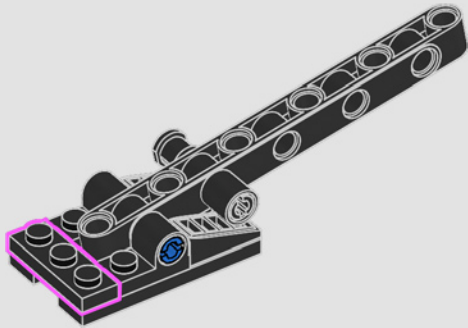


307

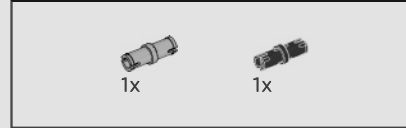
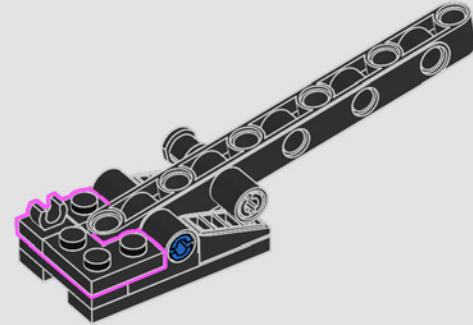




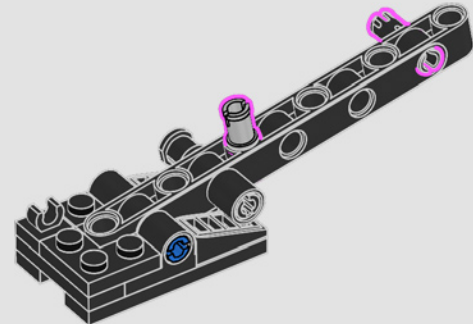
308

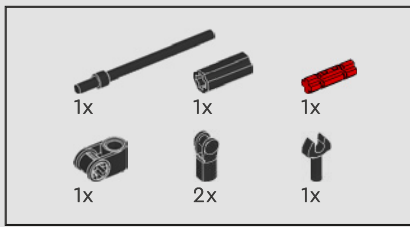


309

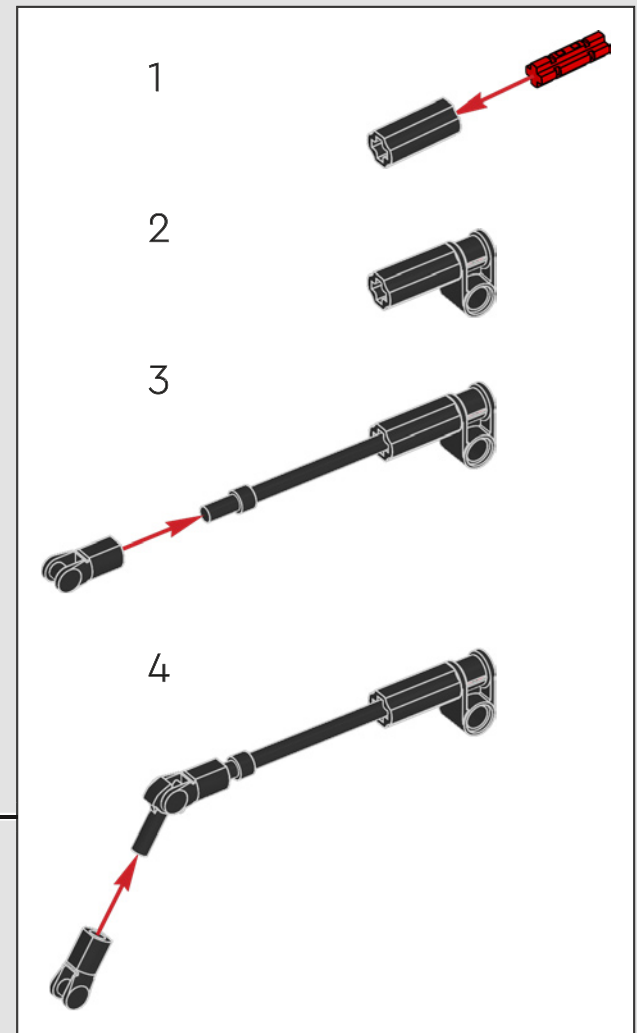
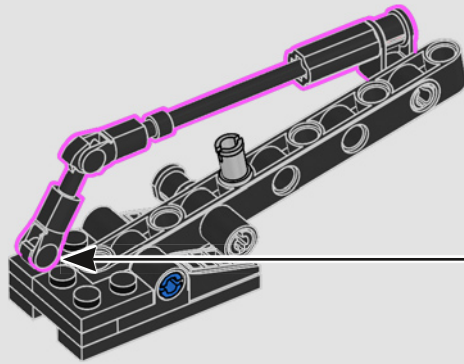


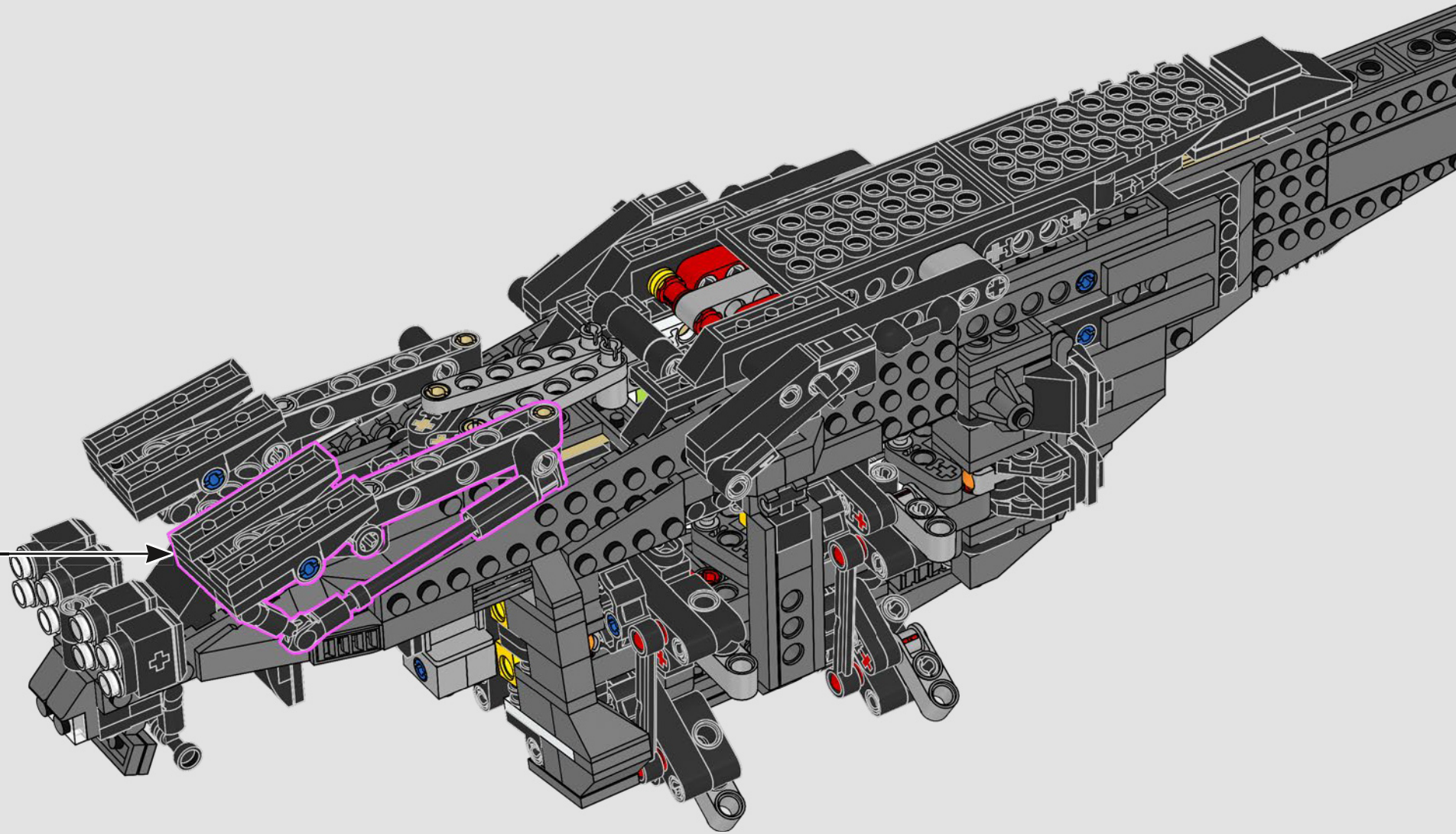
310

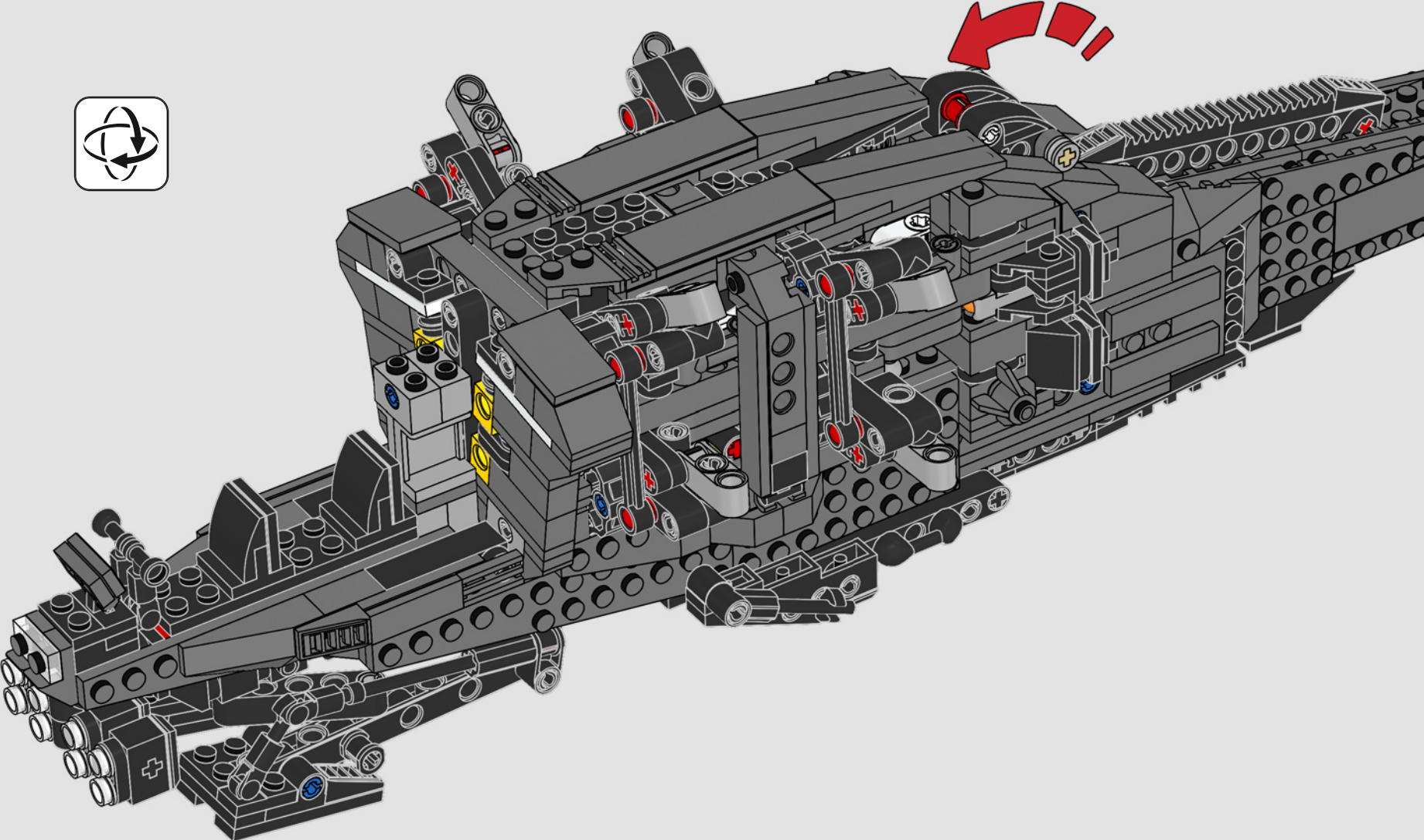


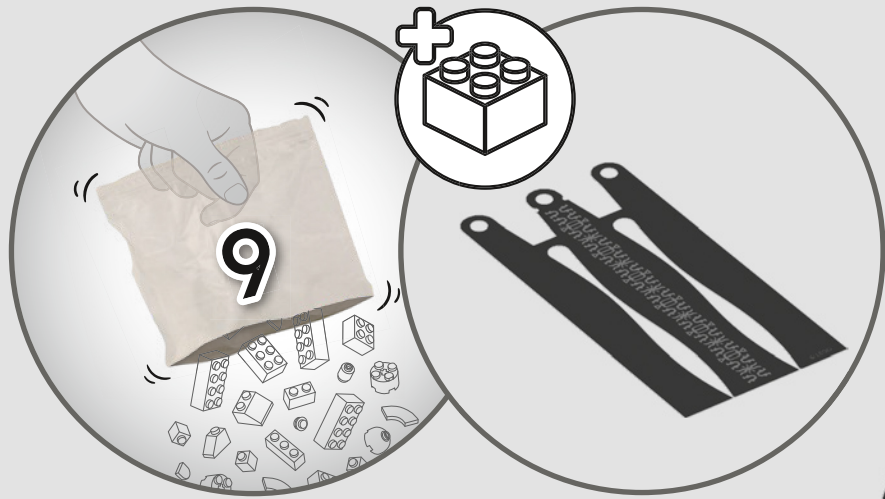


311

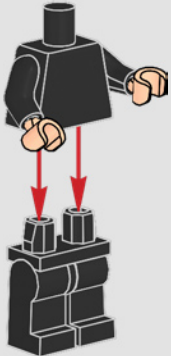




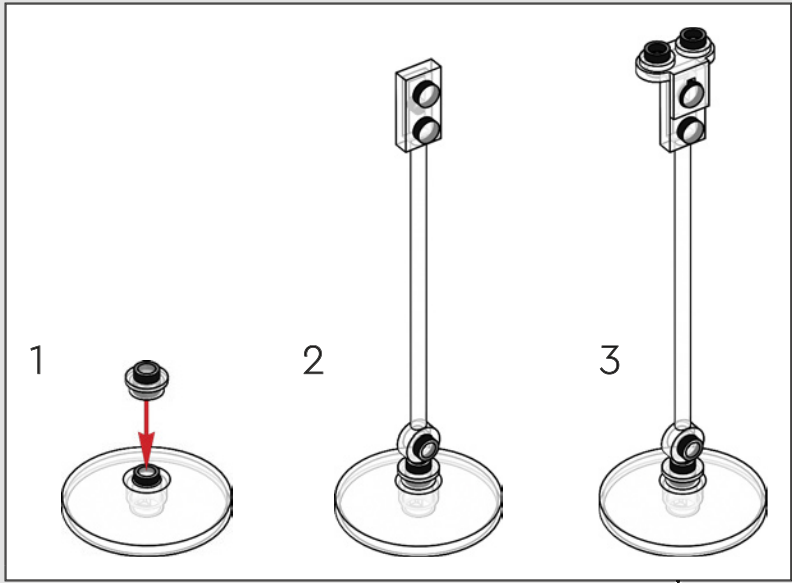
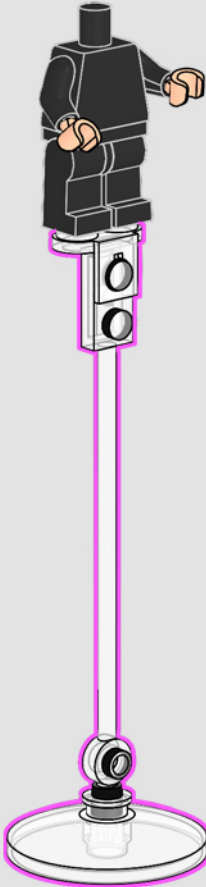




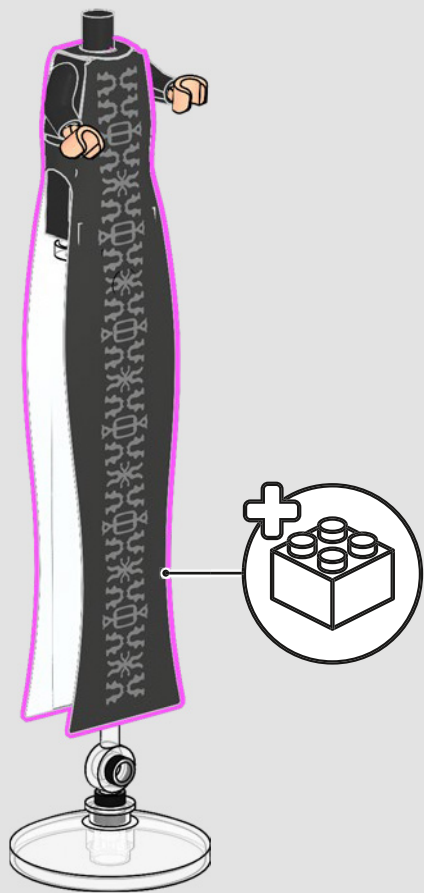
1



2

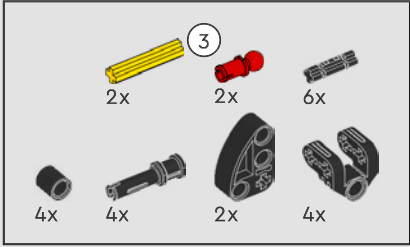
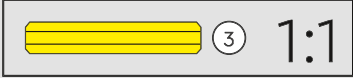
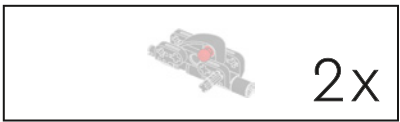


3



4



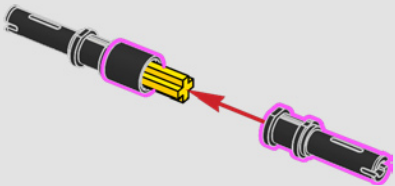


314

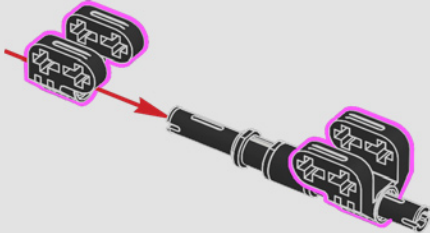
1



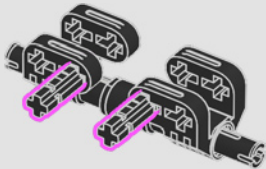
2



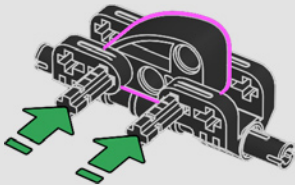
3



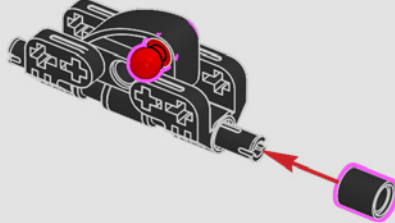
4



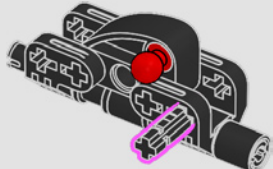
5



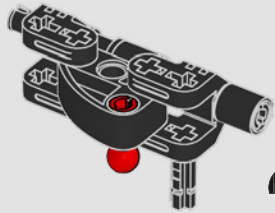
6



7

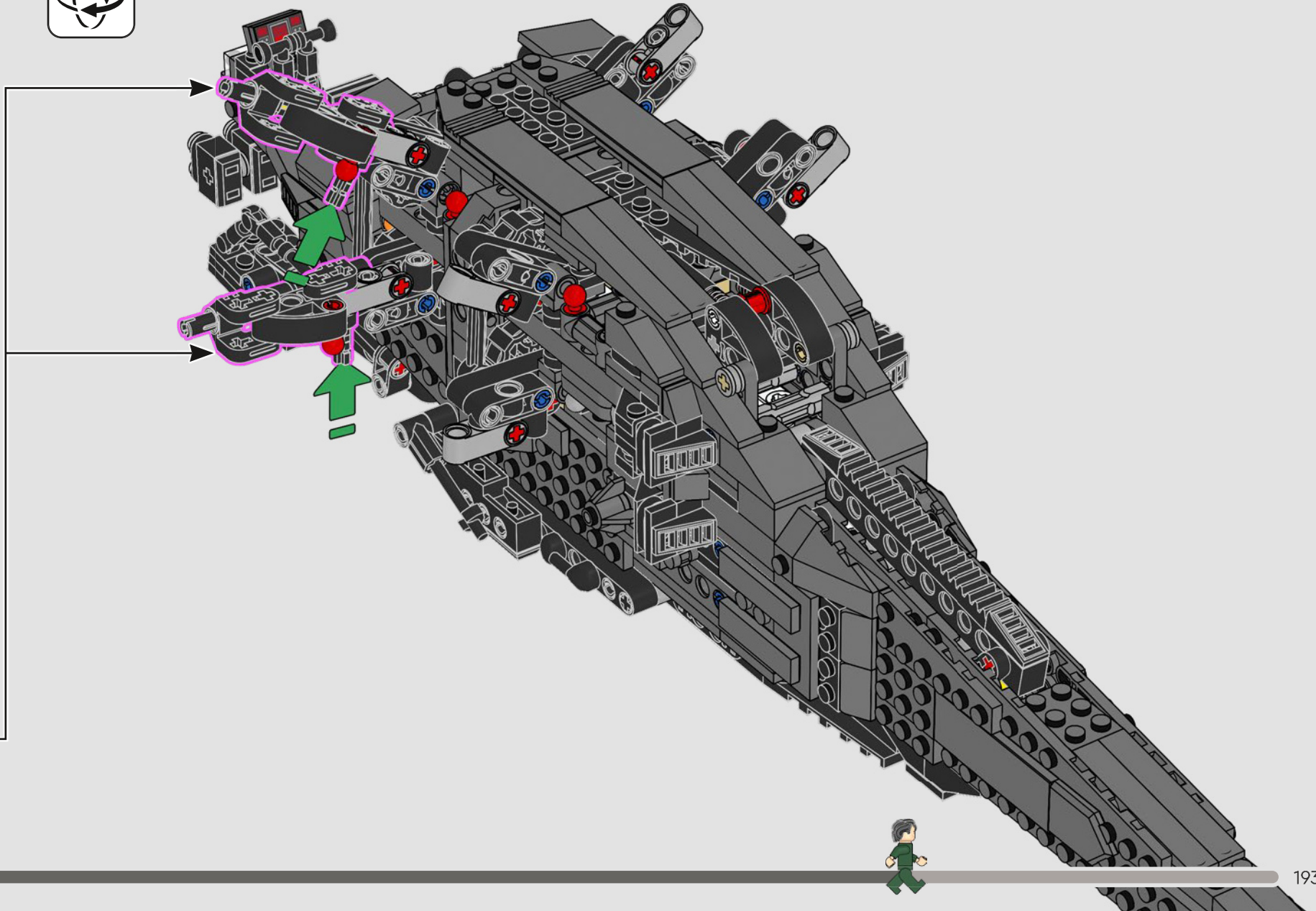


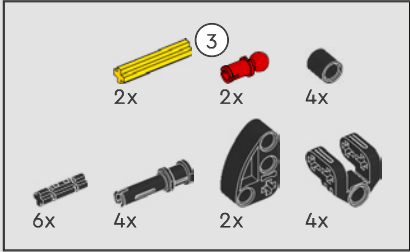
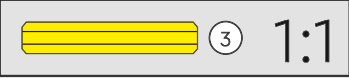
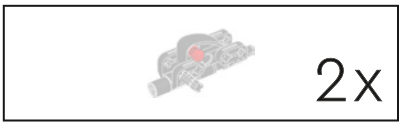
8



2x





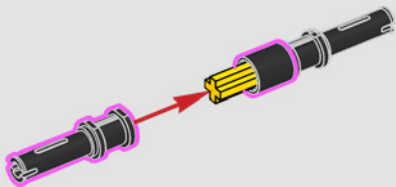


315

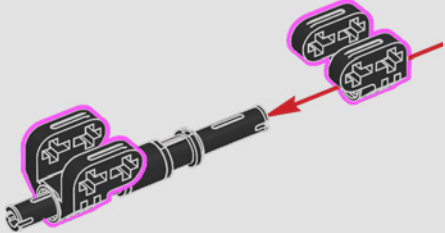
1



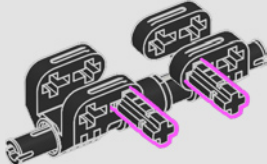
2



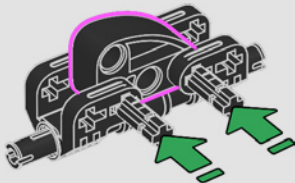
3



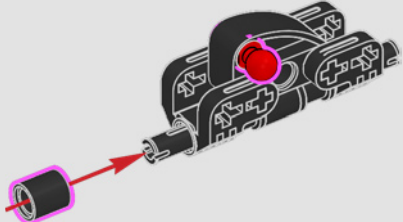
4



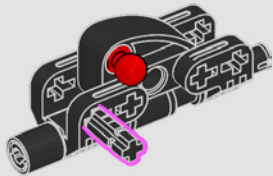
5



6

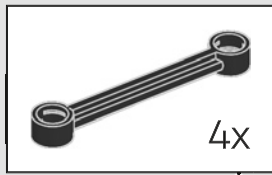
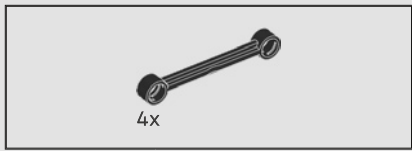


7



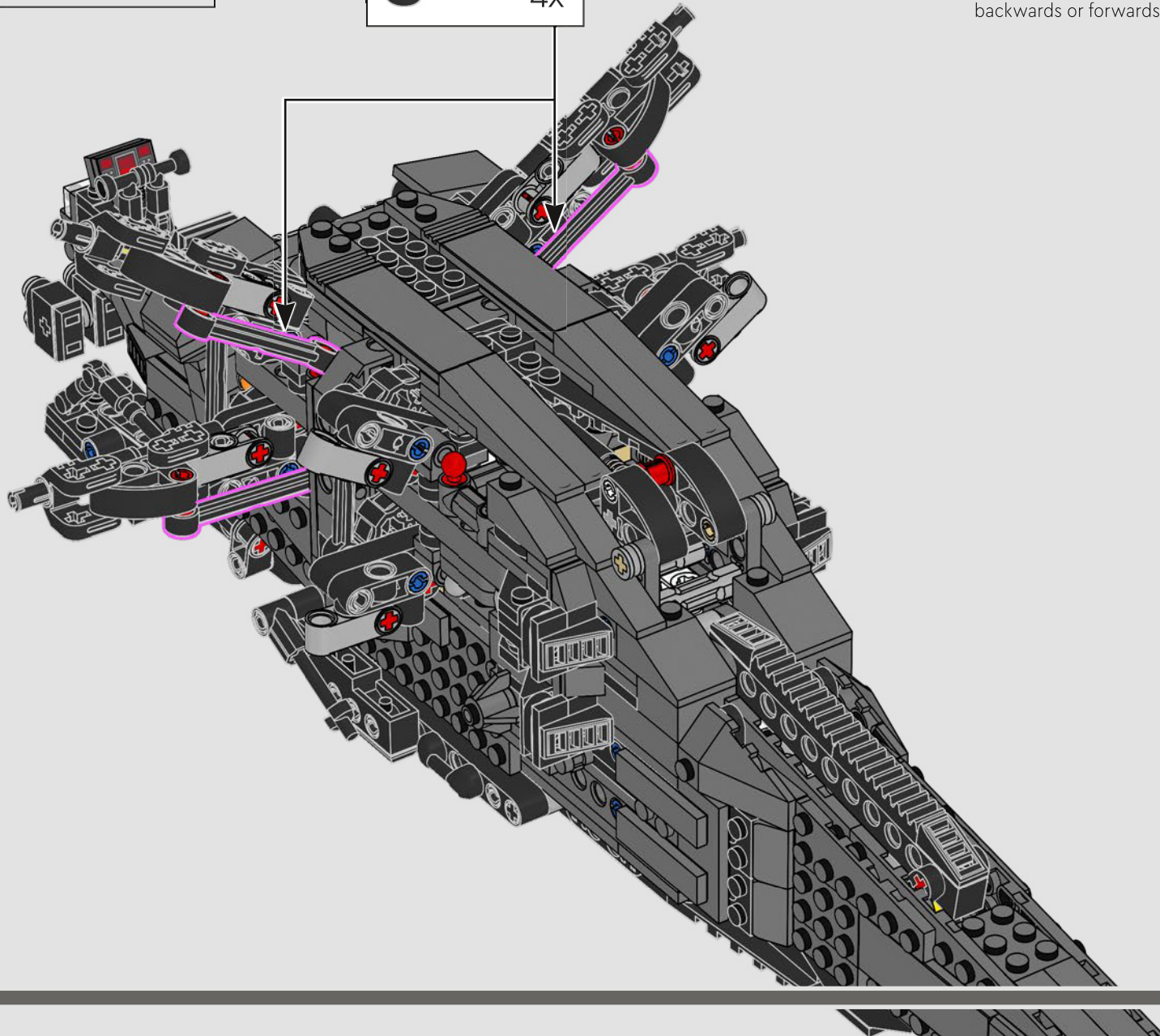
2x

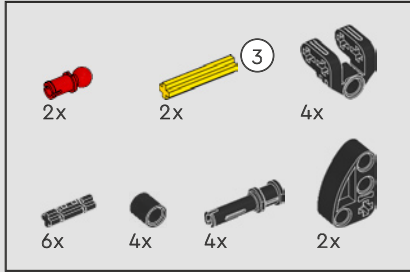
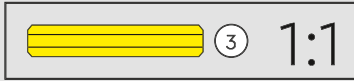
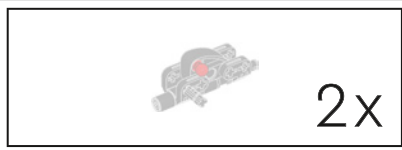




316

The track rod connections to the core of the model ensure that as the wings flap up and down, they are not pulled backwards or forwards by the wing-opening mechanism.



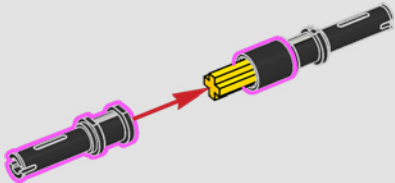


317

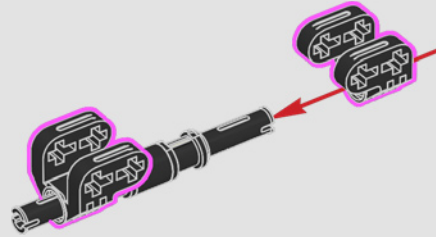
1



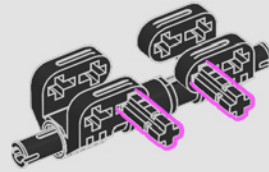
2



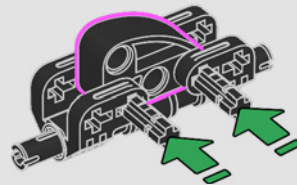
3



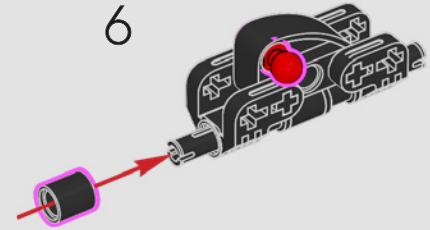
4



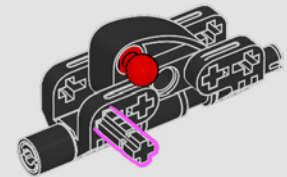
5



6

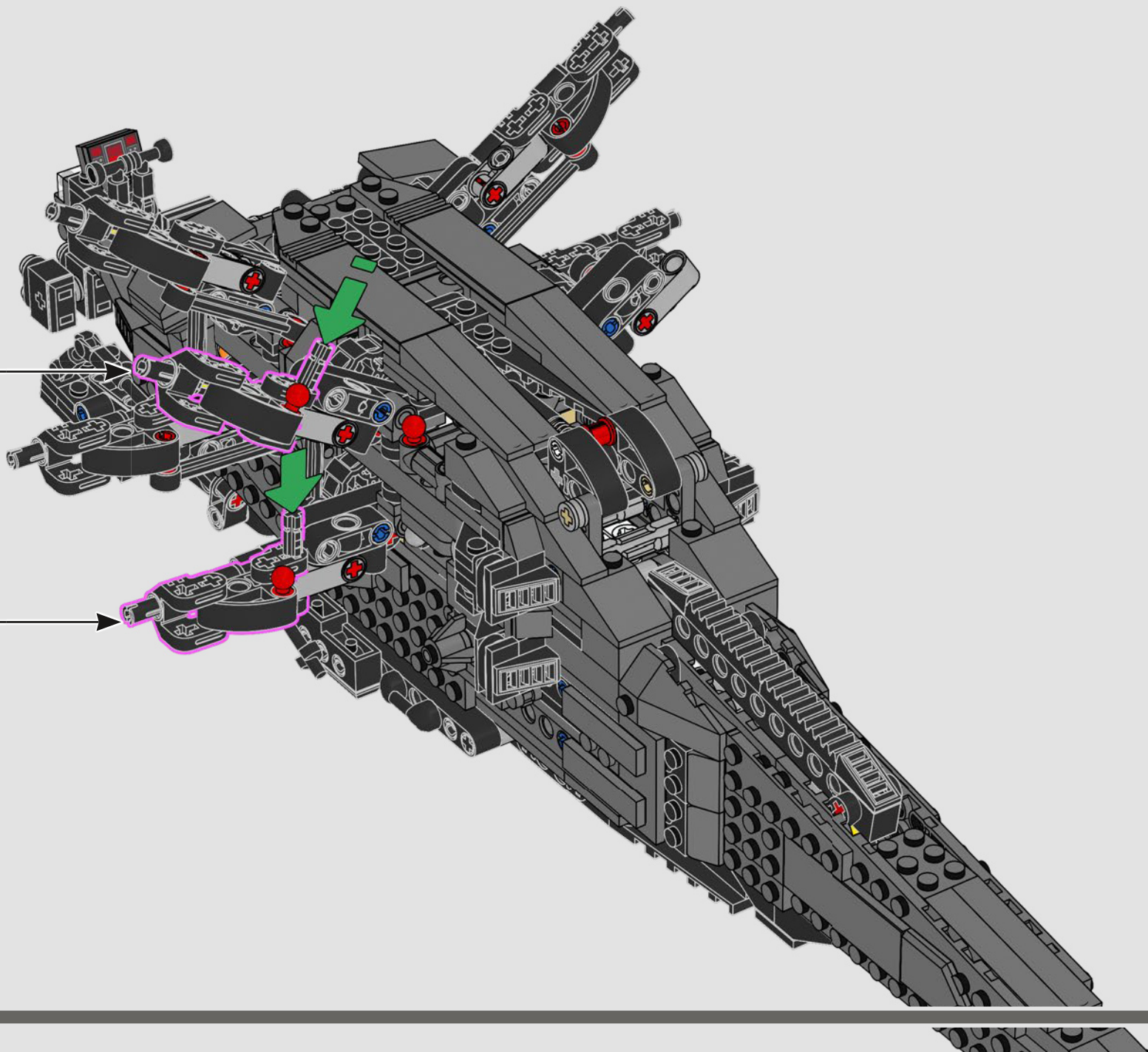


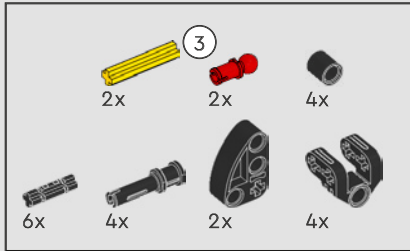
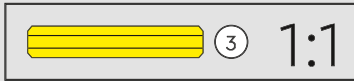
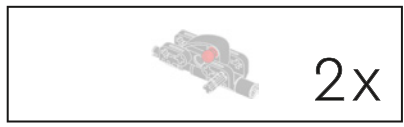
7



2x





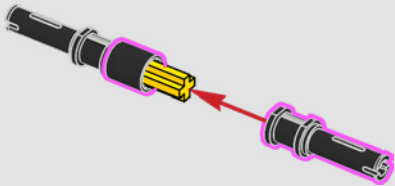


318

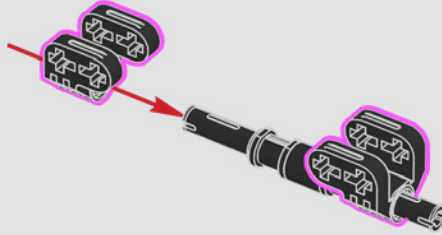
1



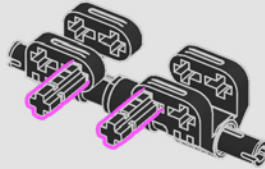
2



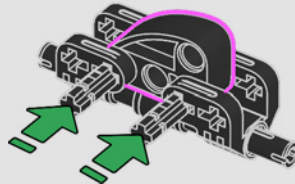
3



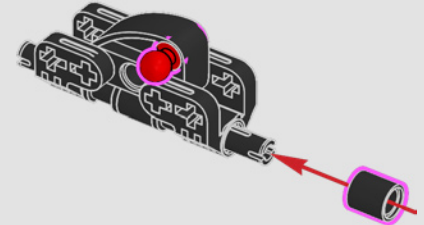
4



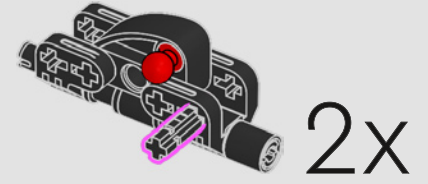
5

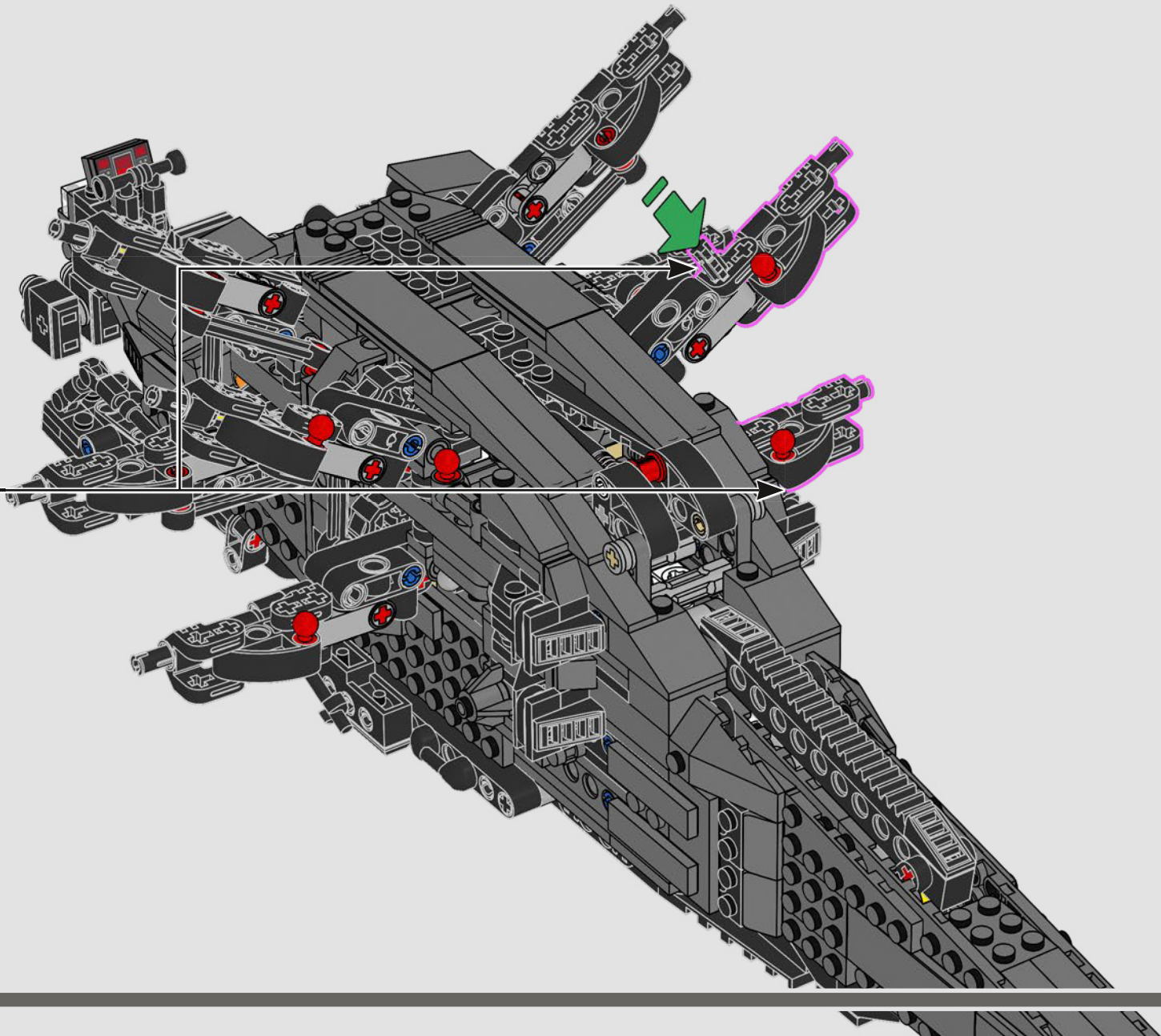


6

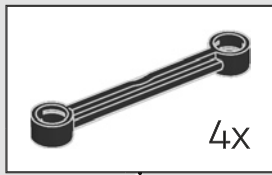
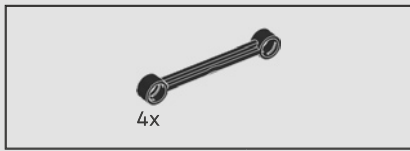


7

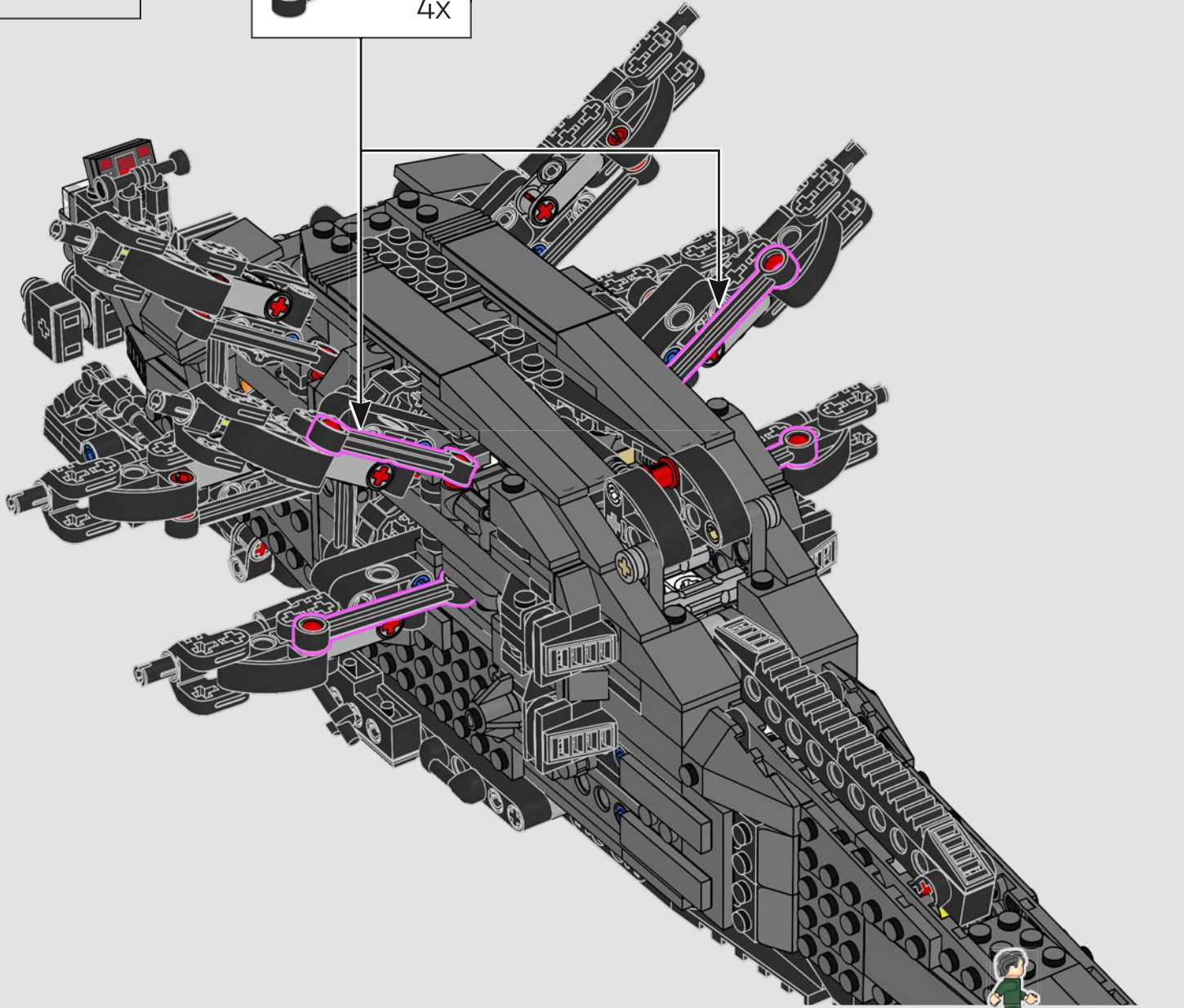


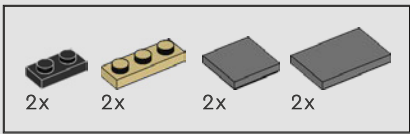




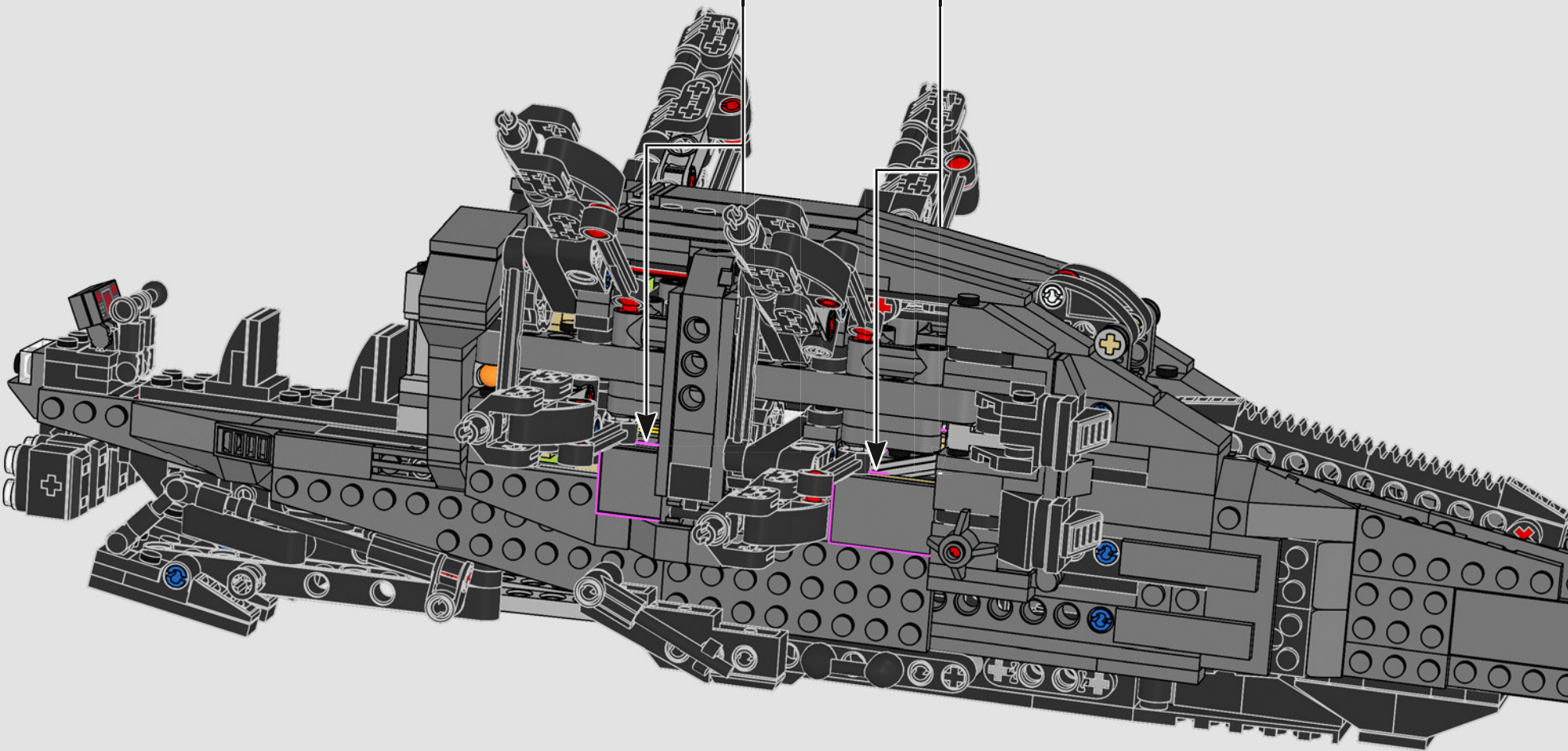
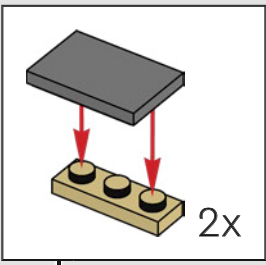
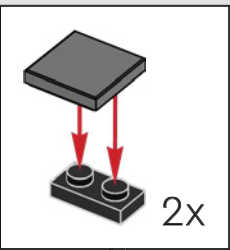


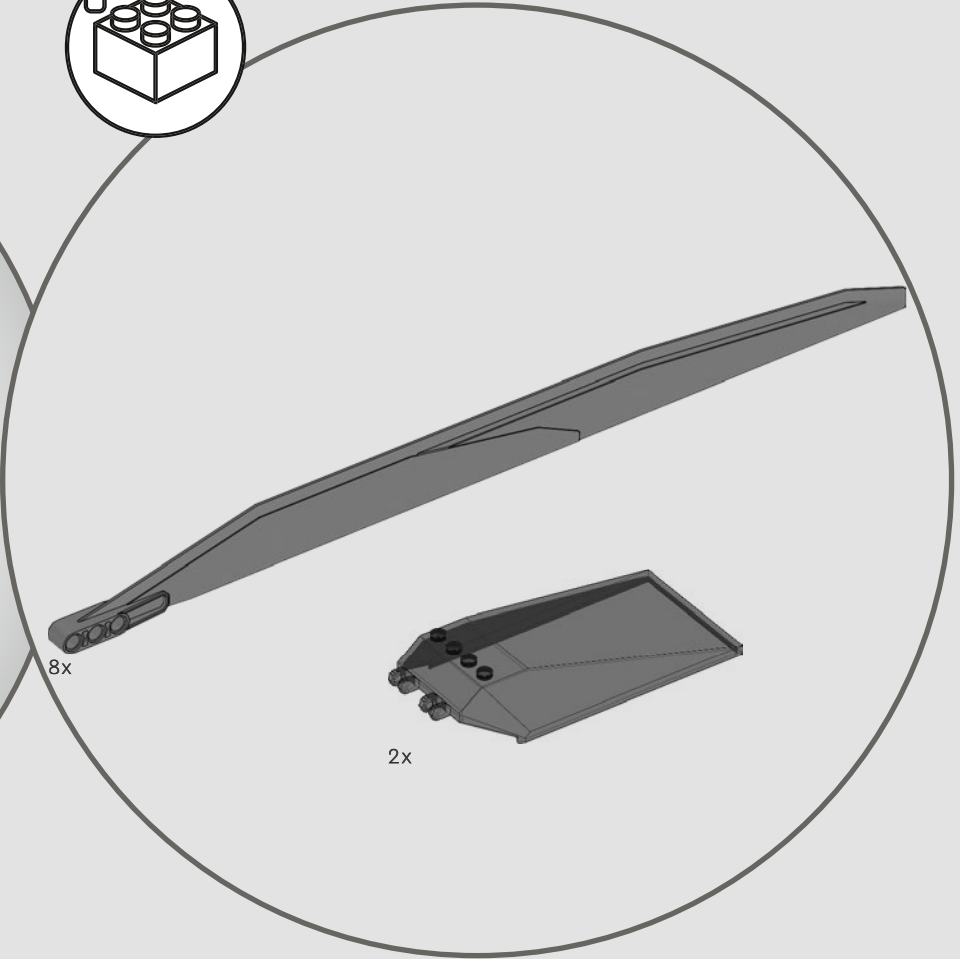
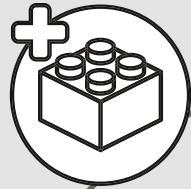
319

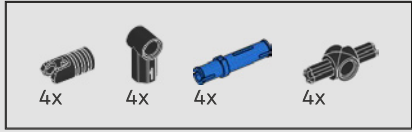
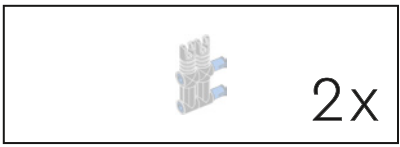




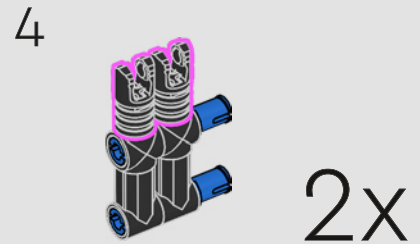
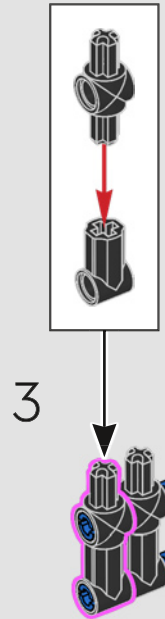
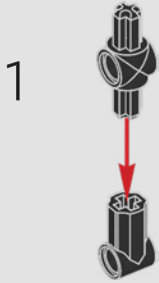
320

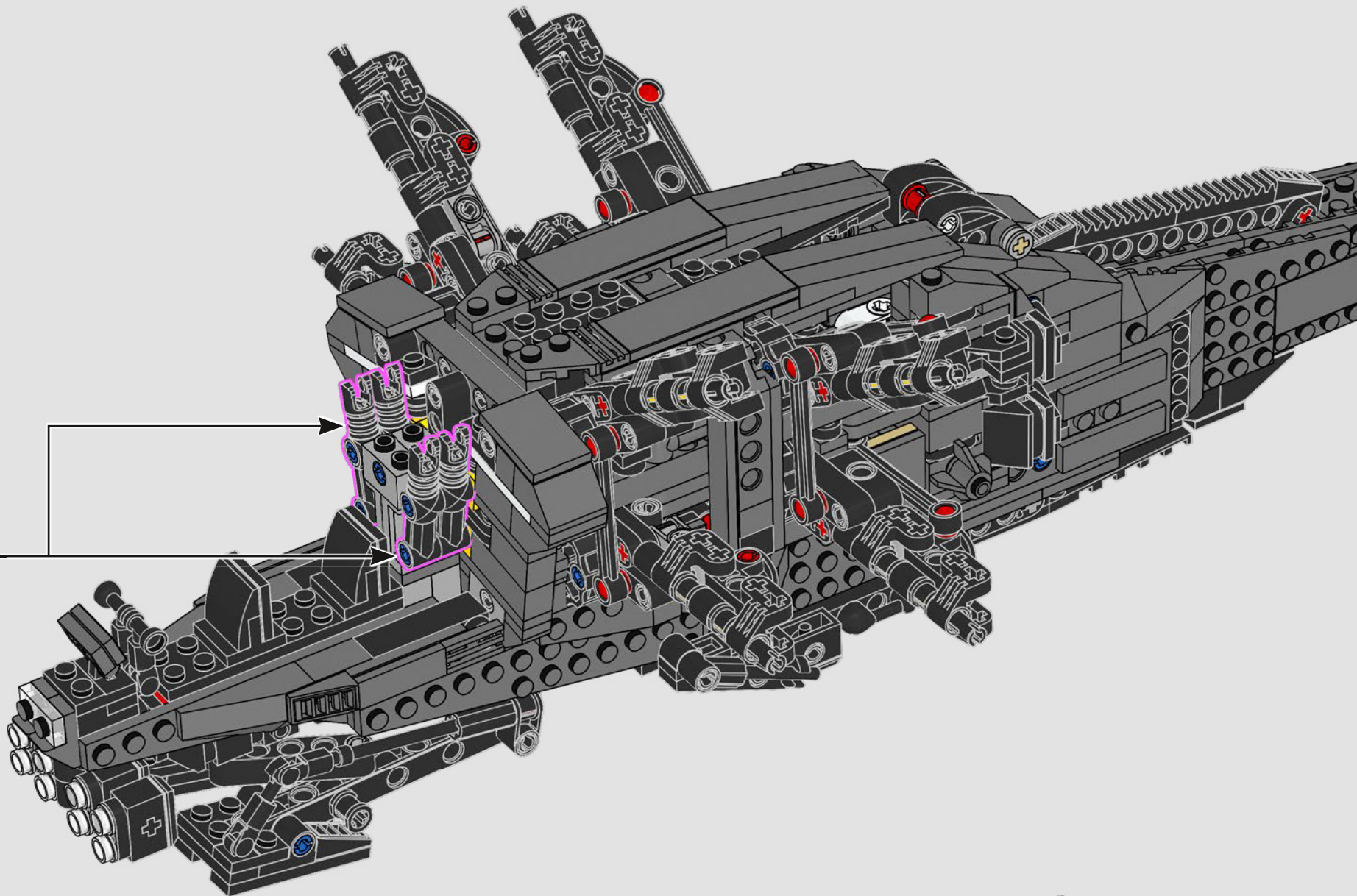




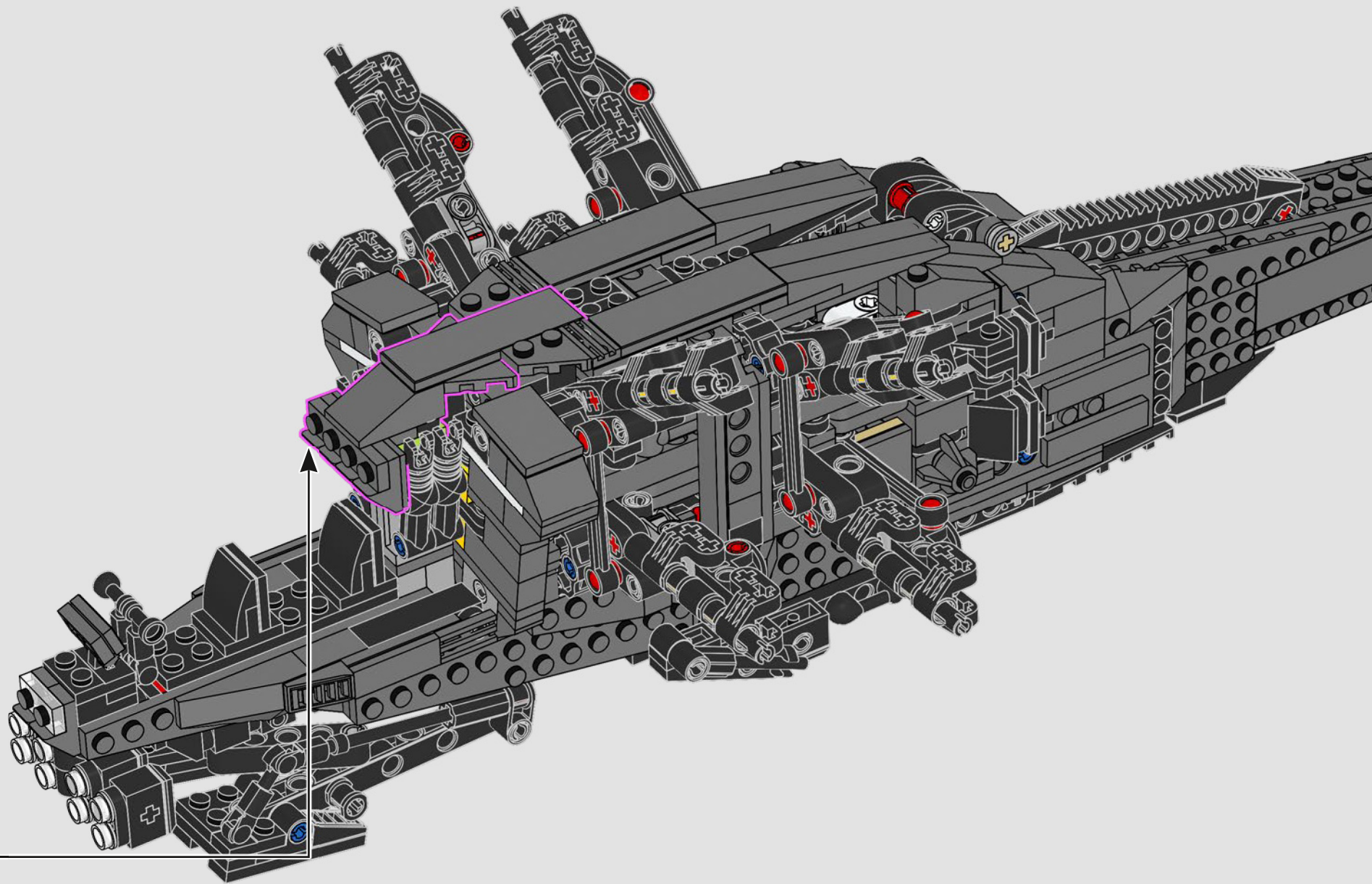


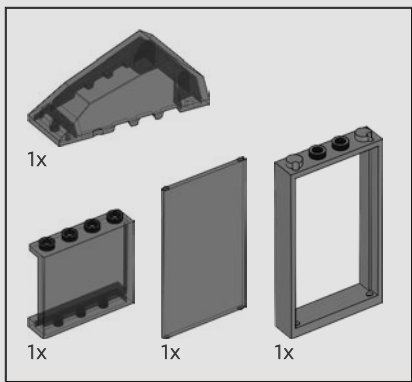
321



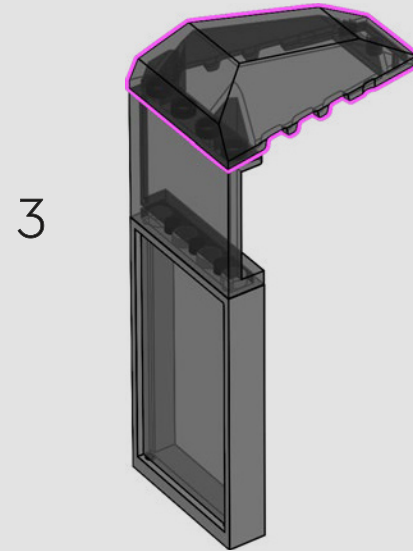
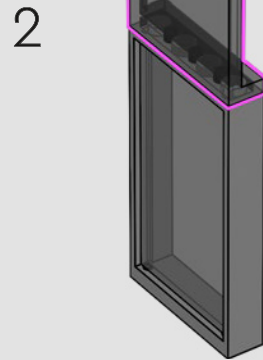
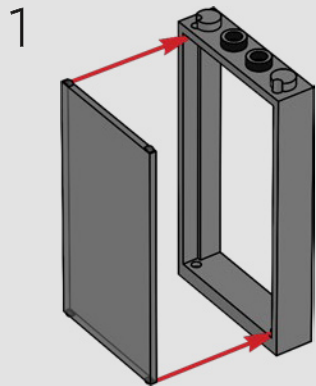








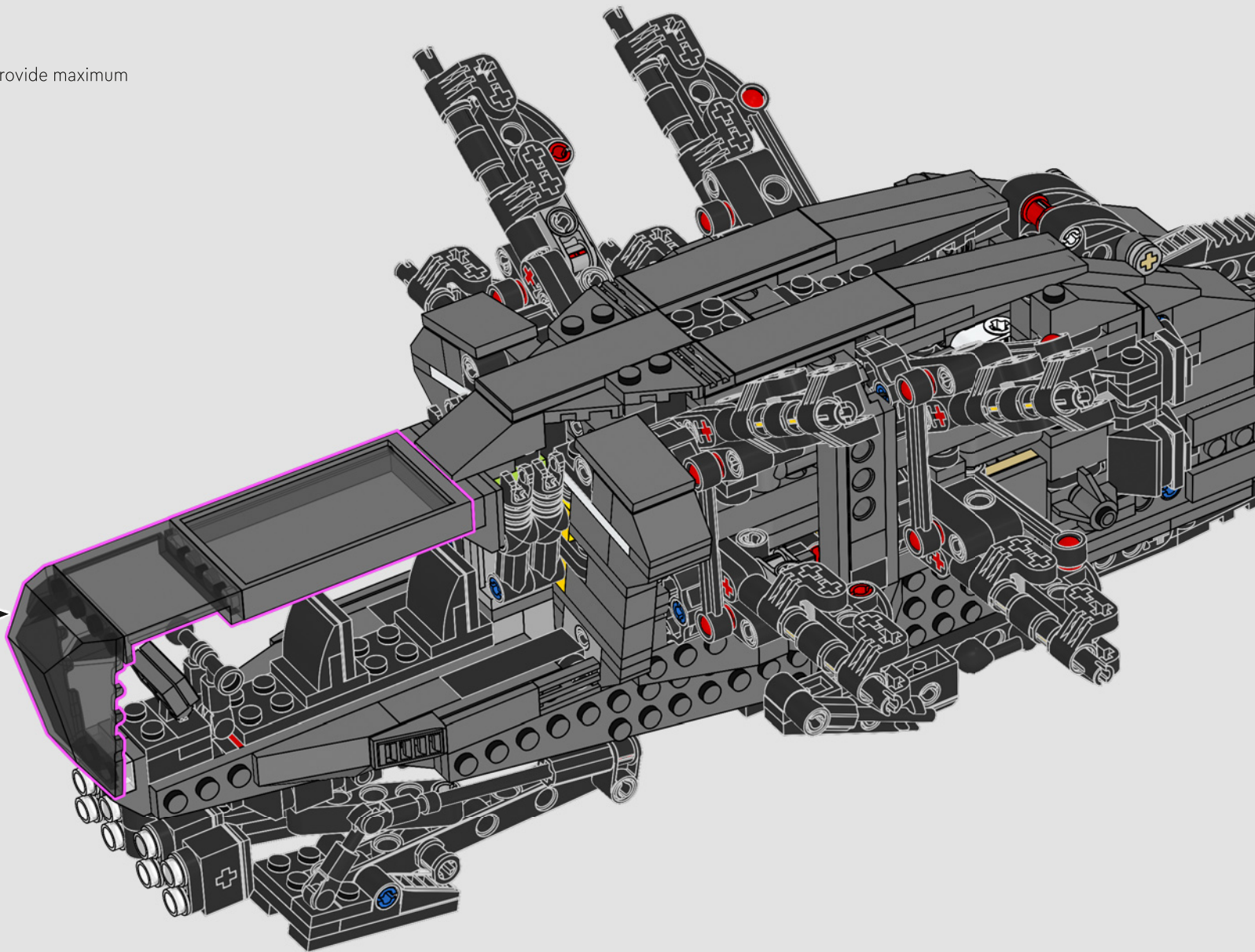
323

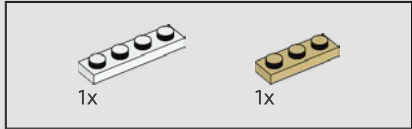
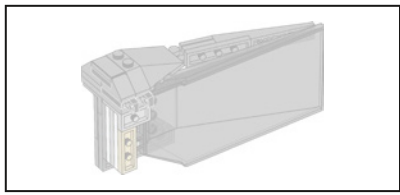




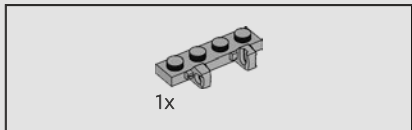
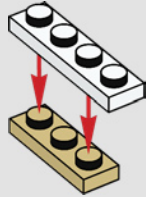


The cockpit is made very open to provide maximum visibility to the craft's pilot.

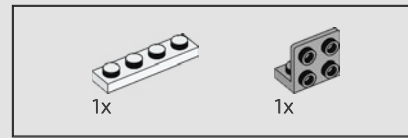
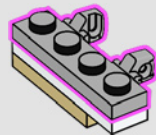




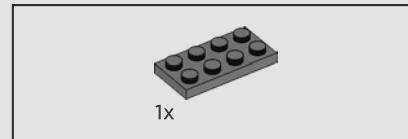
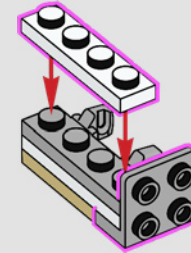
324



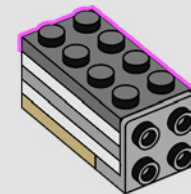
325

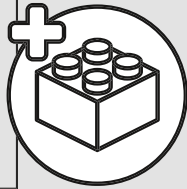
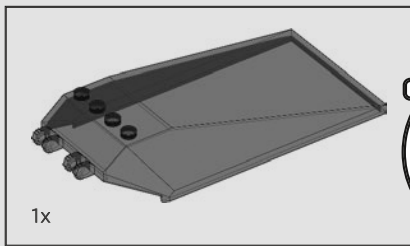


326

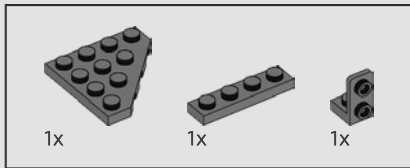
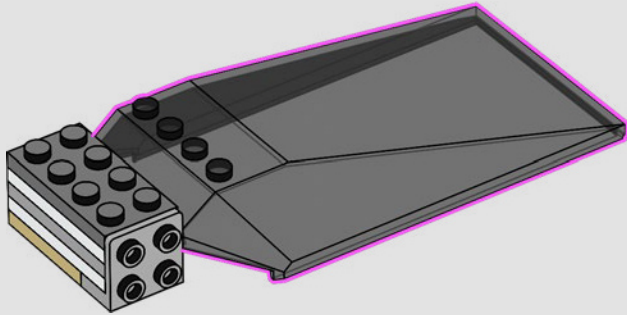


327

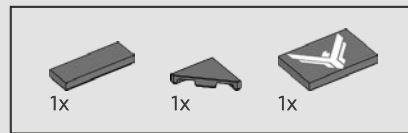
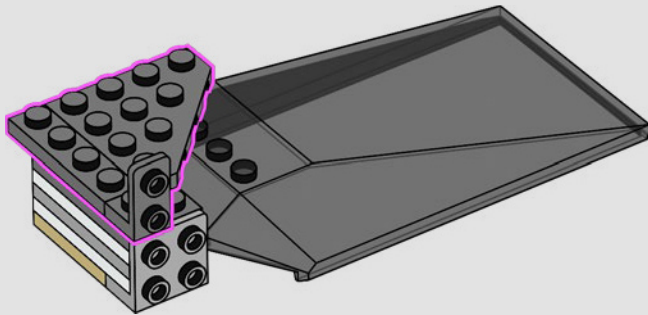




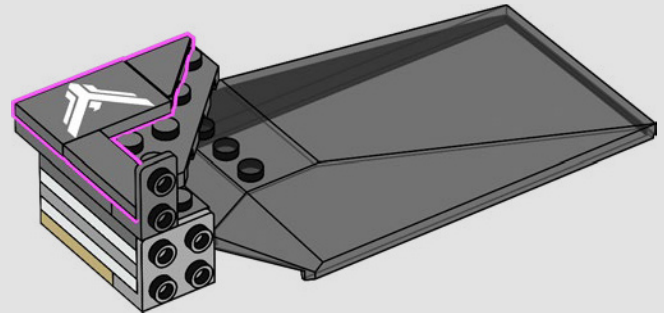
328

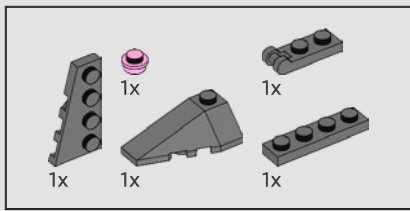


329

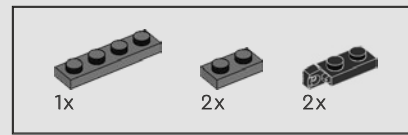
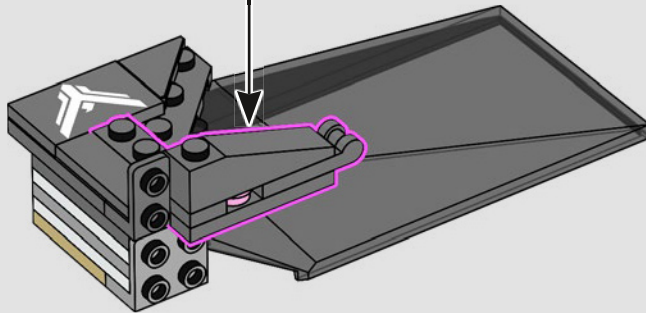
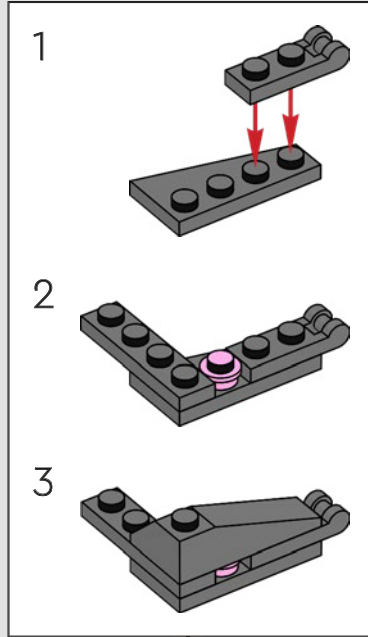


330

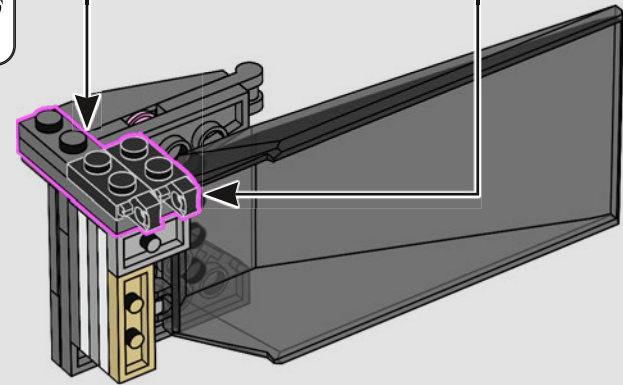
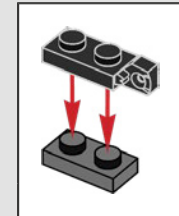
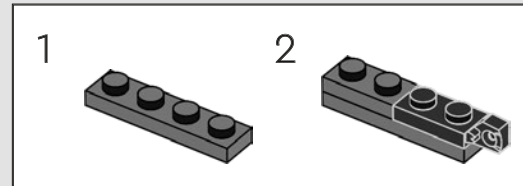


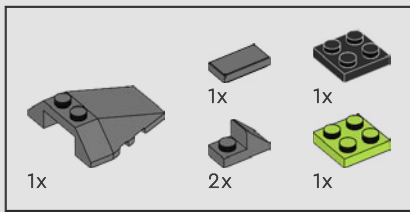


331

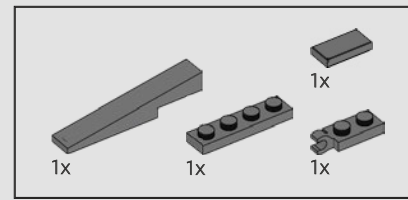
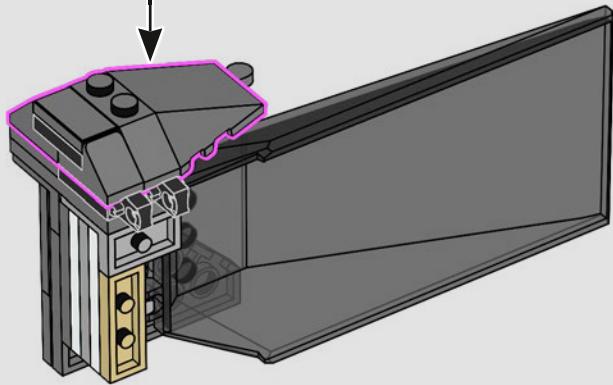
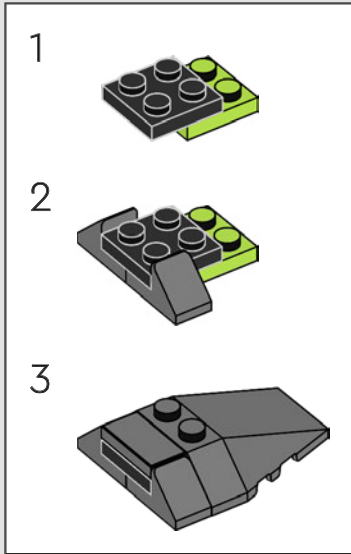


332

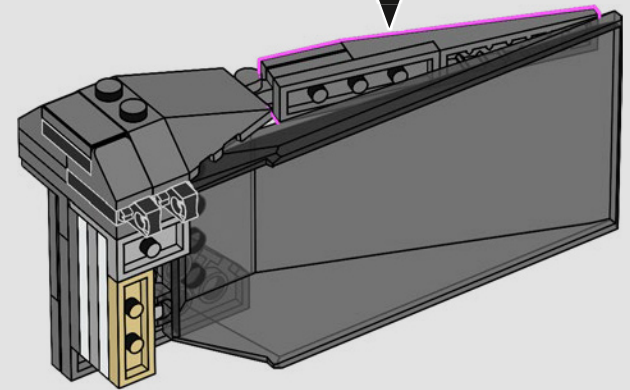
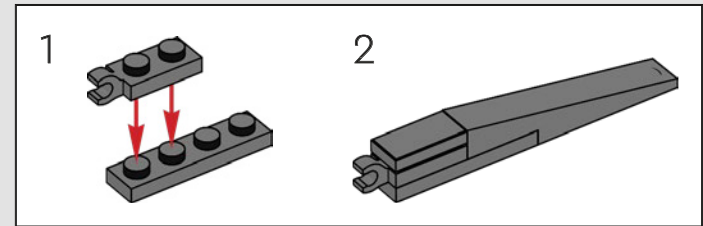




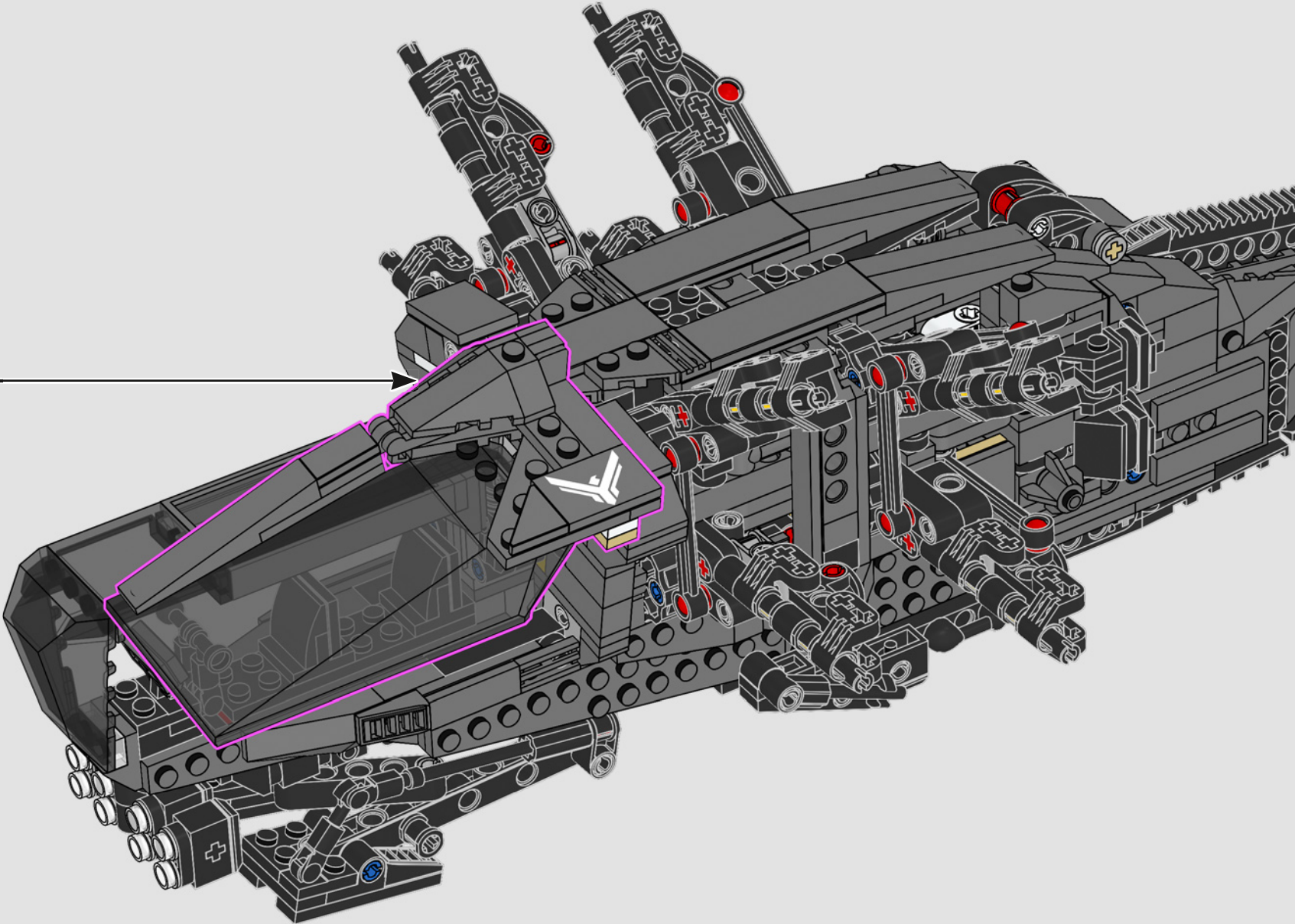
333

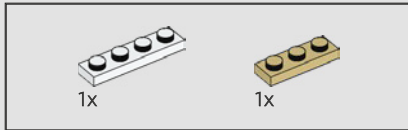
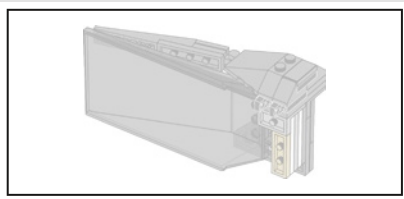


334

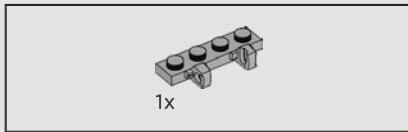
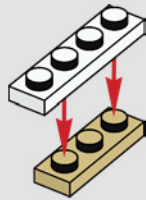


335

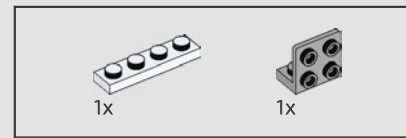
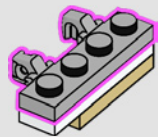




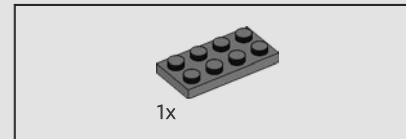
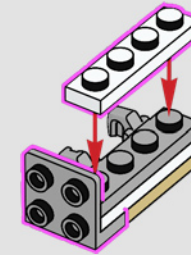
336



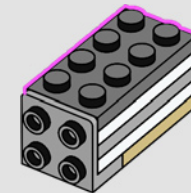
337

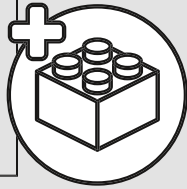
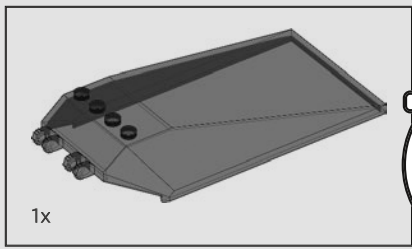


338

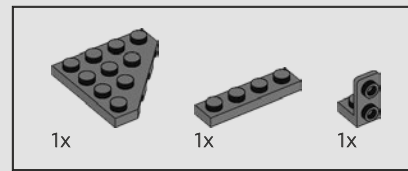
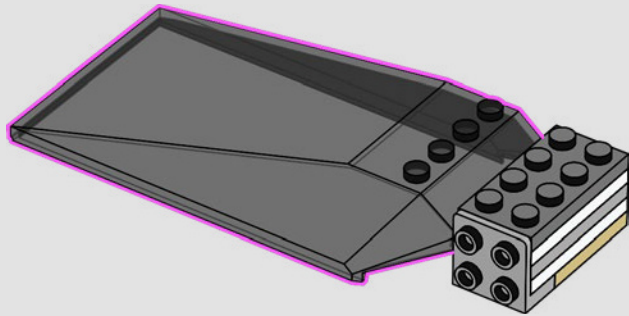


339

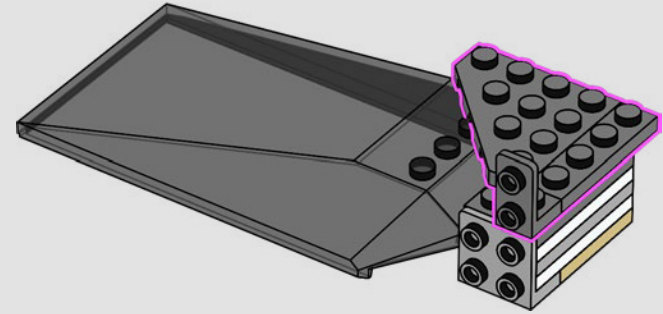




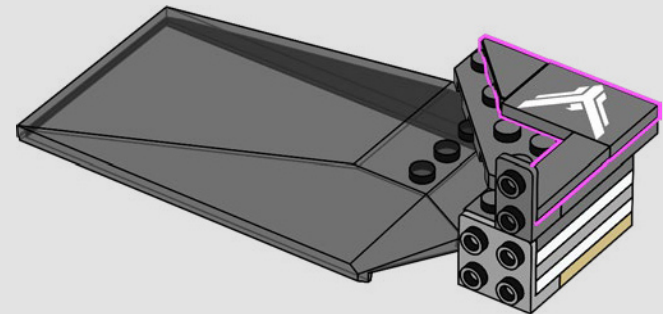
340



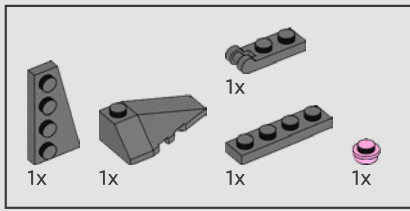
341



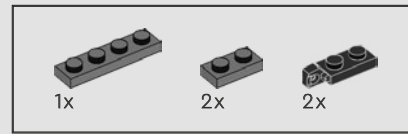
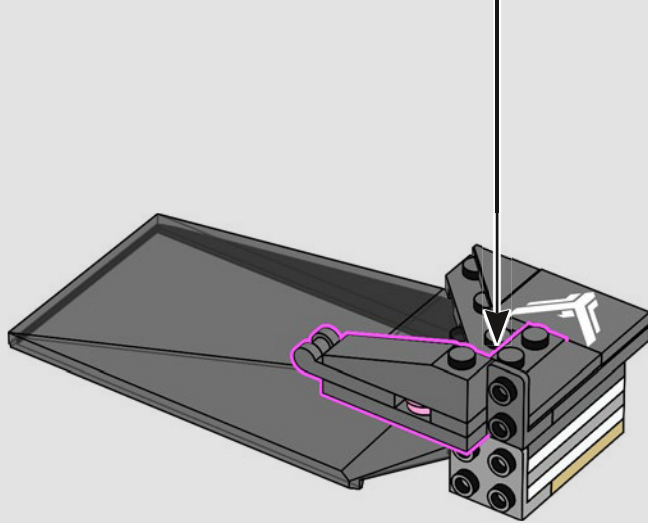
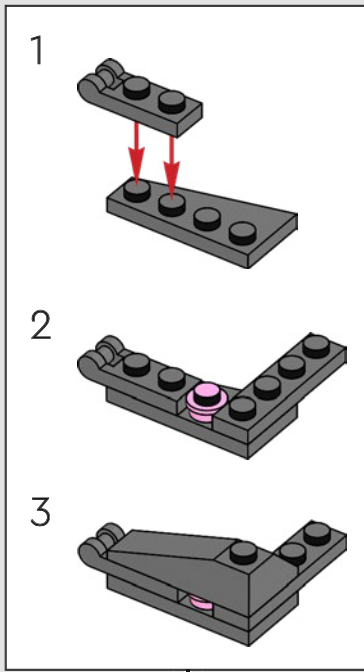
342



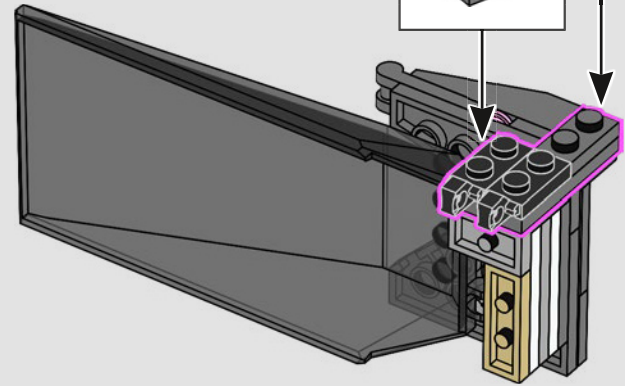
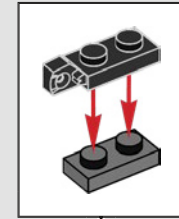
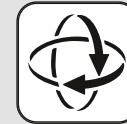
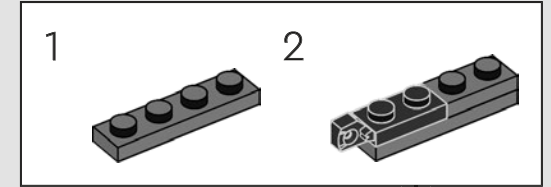


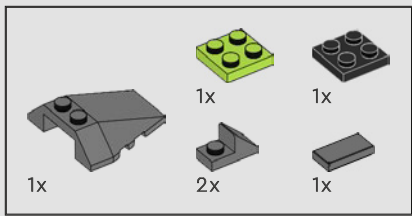


343

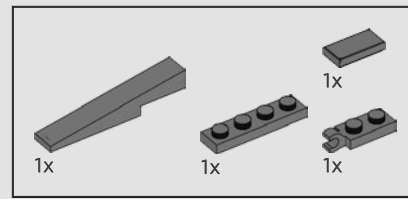
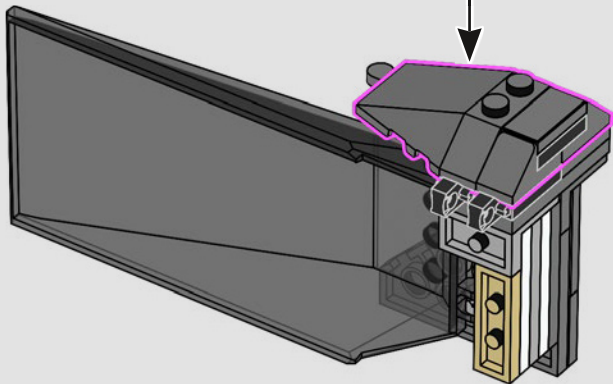
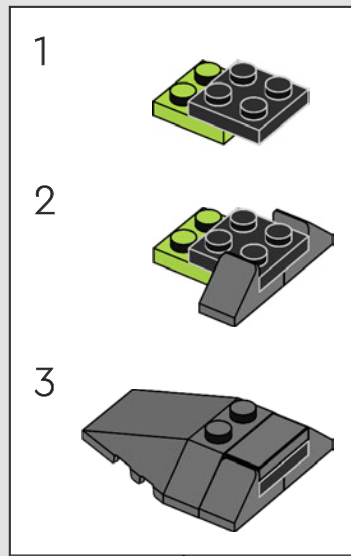


344

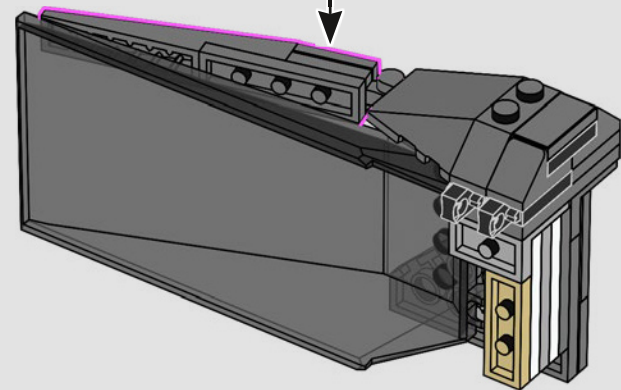
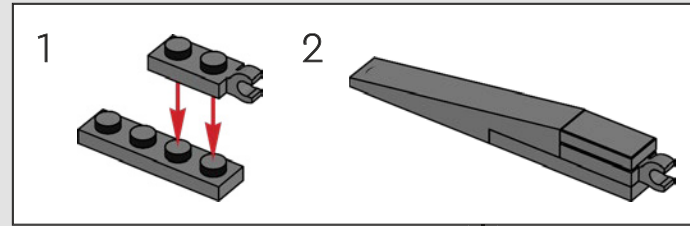




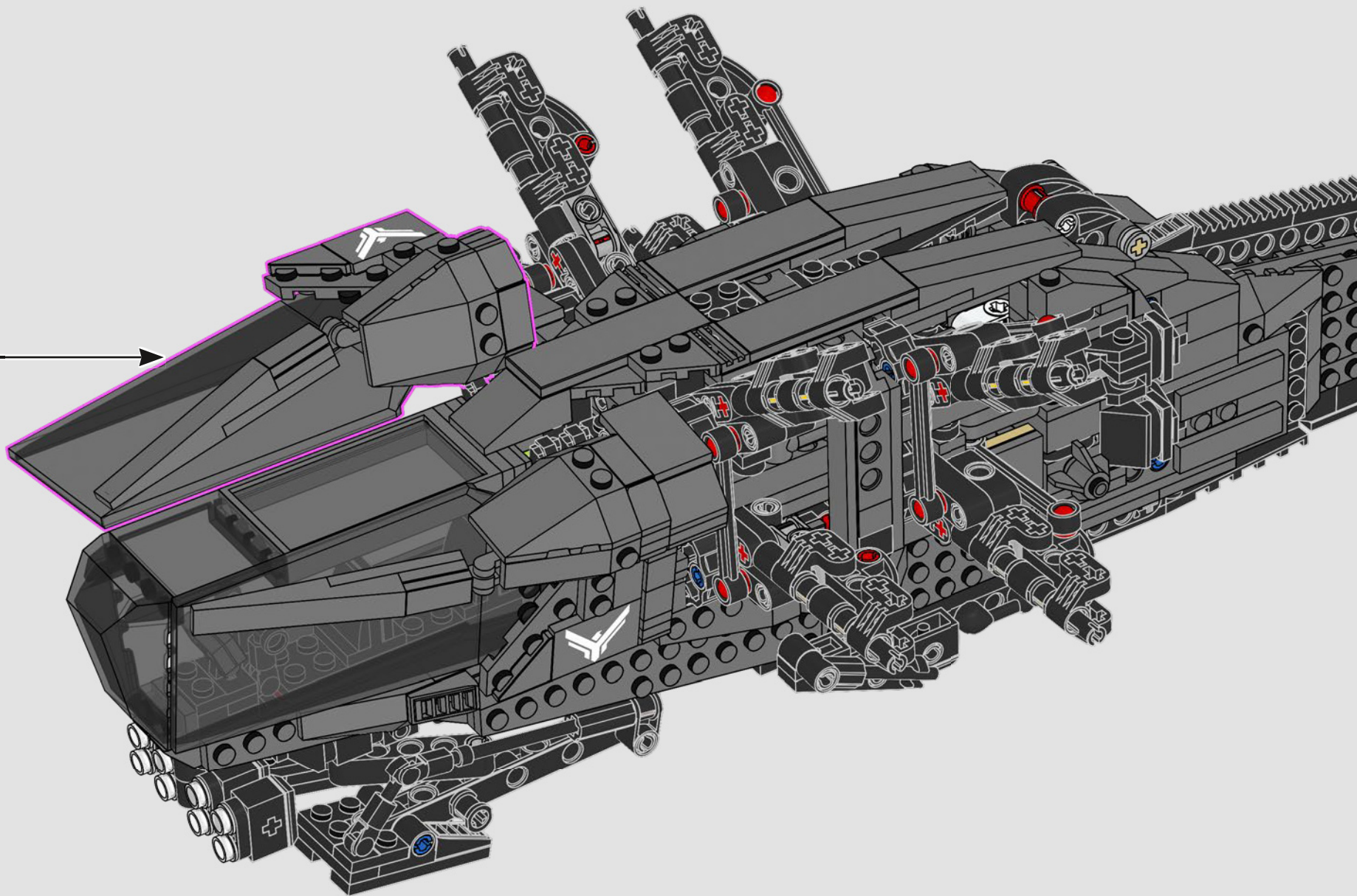
345



346



347

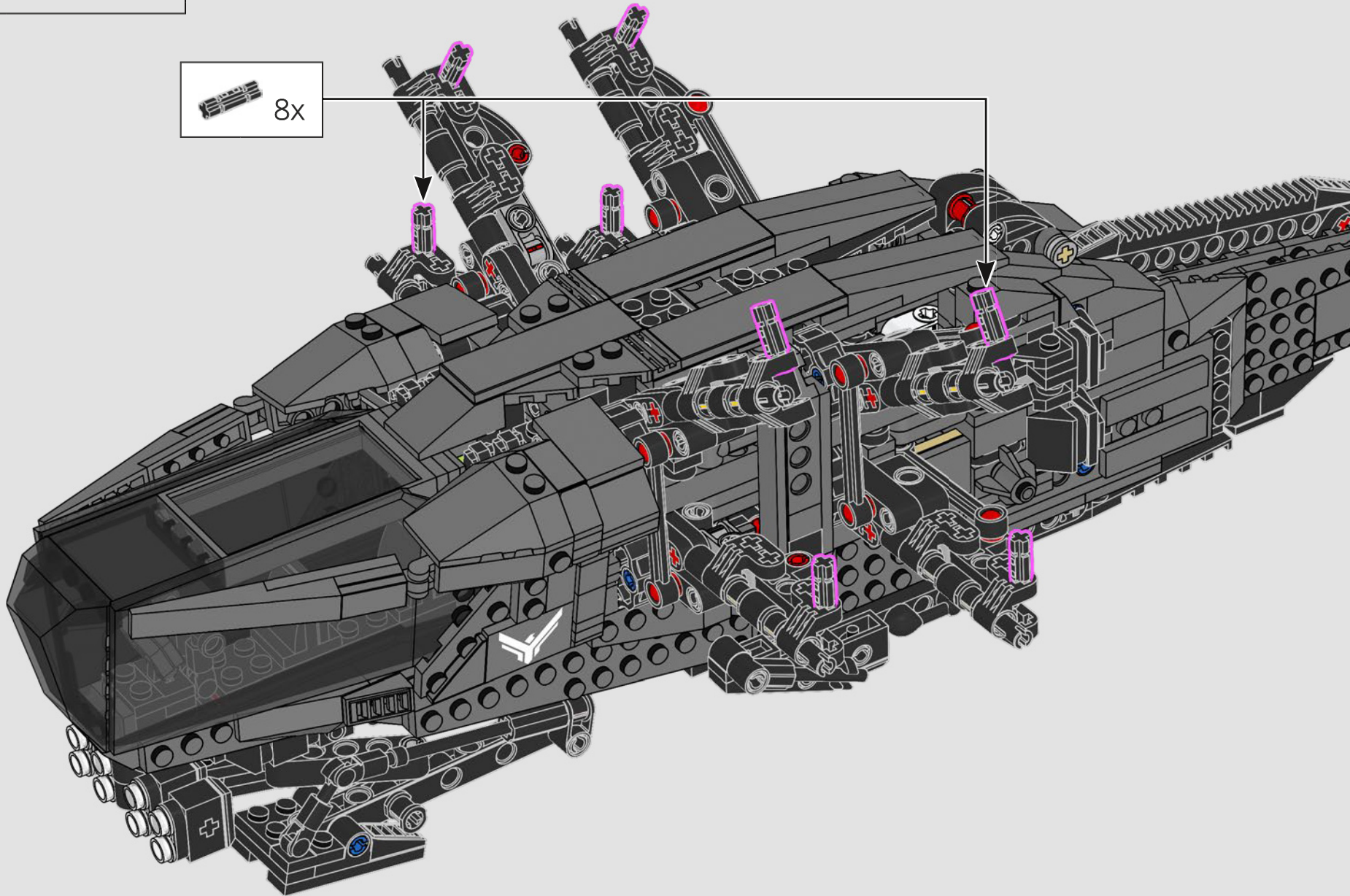


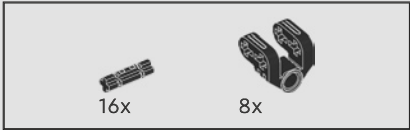
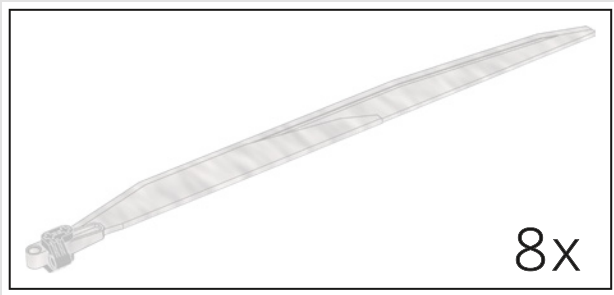
8x

348

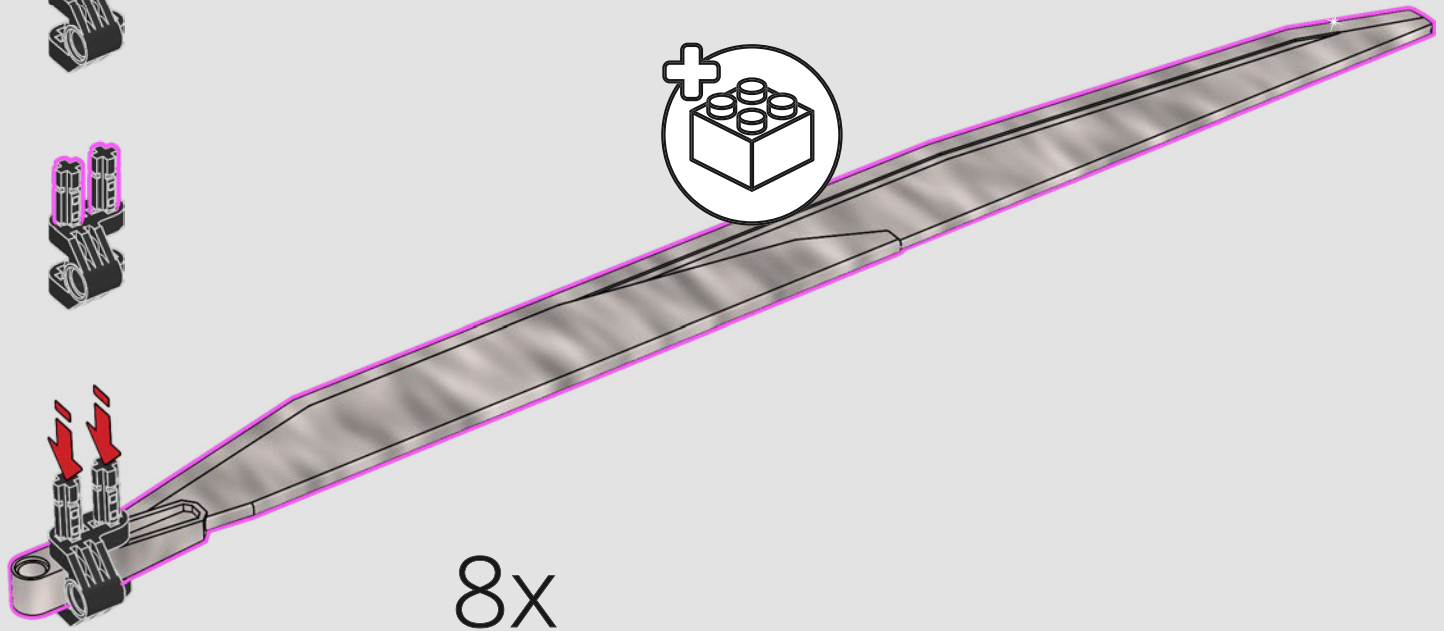
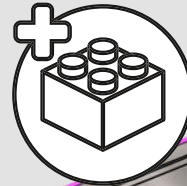
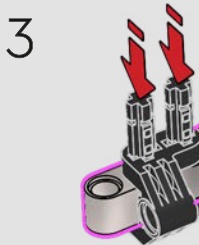


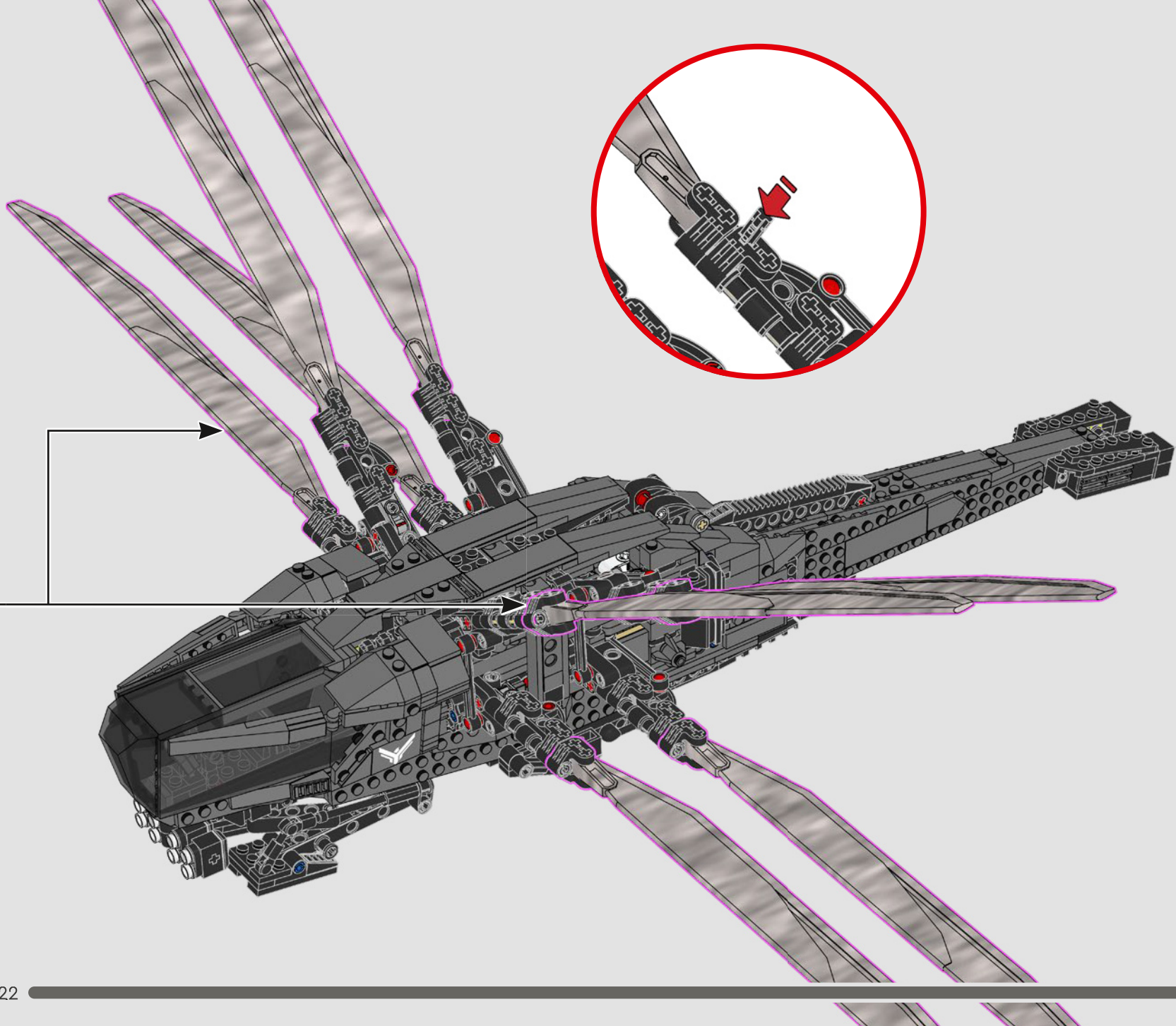
8x

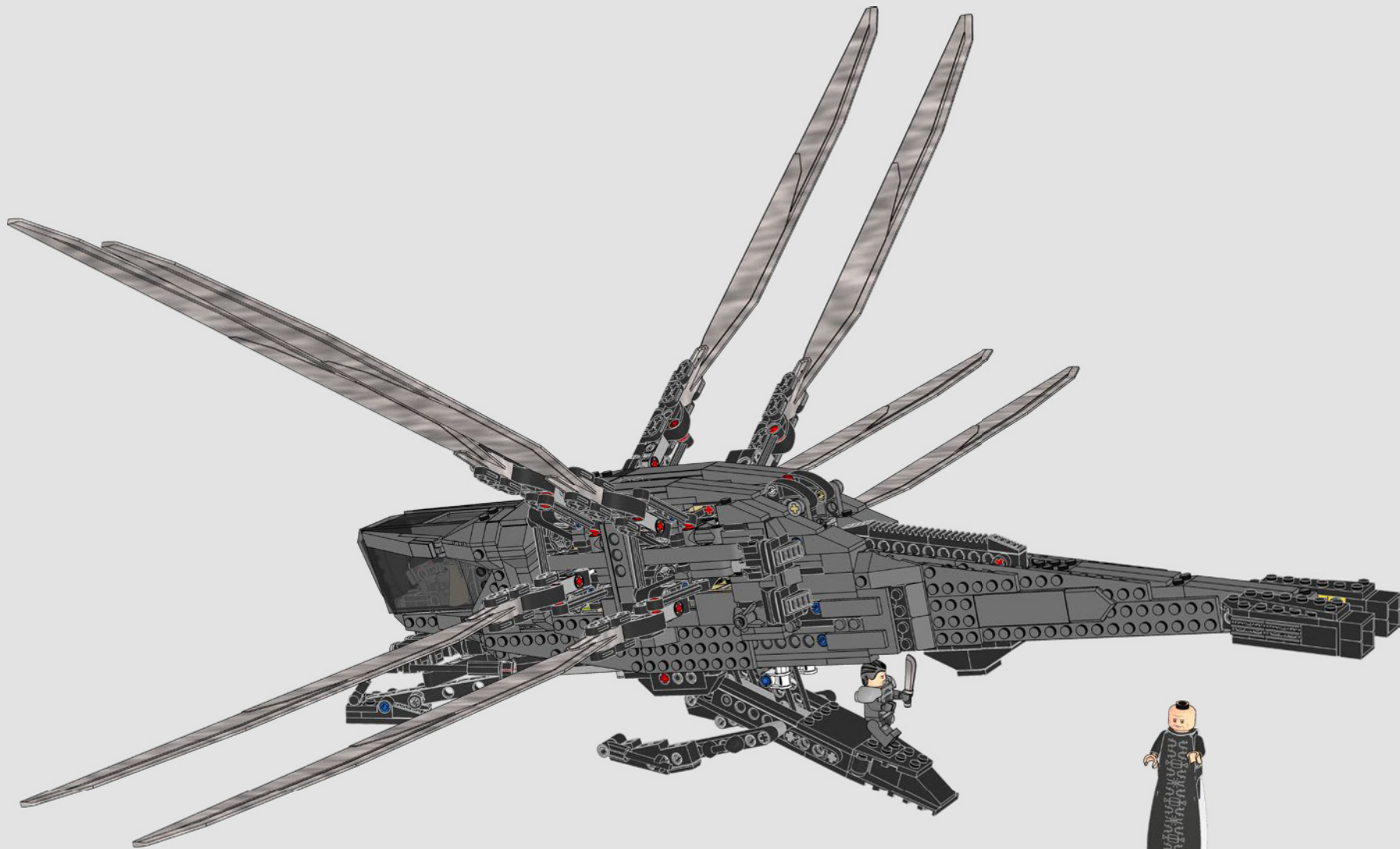


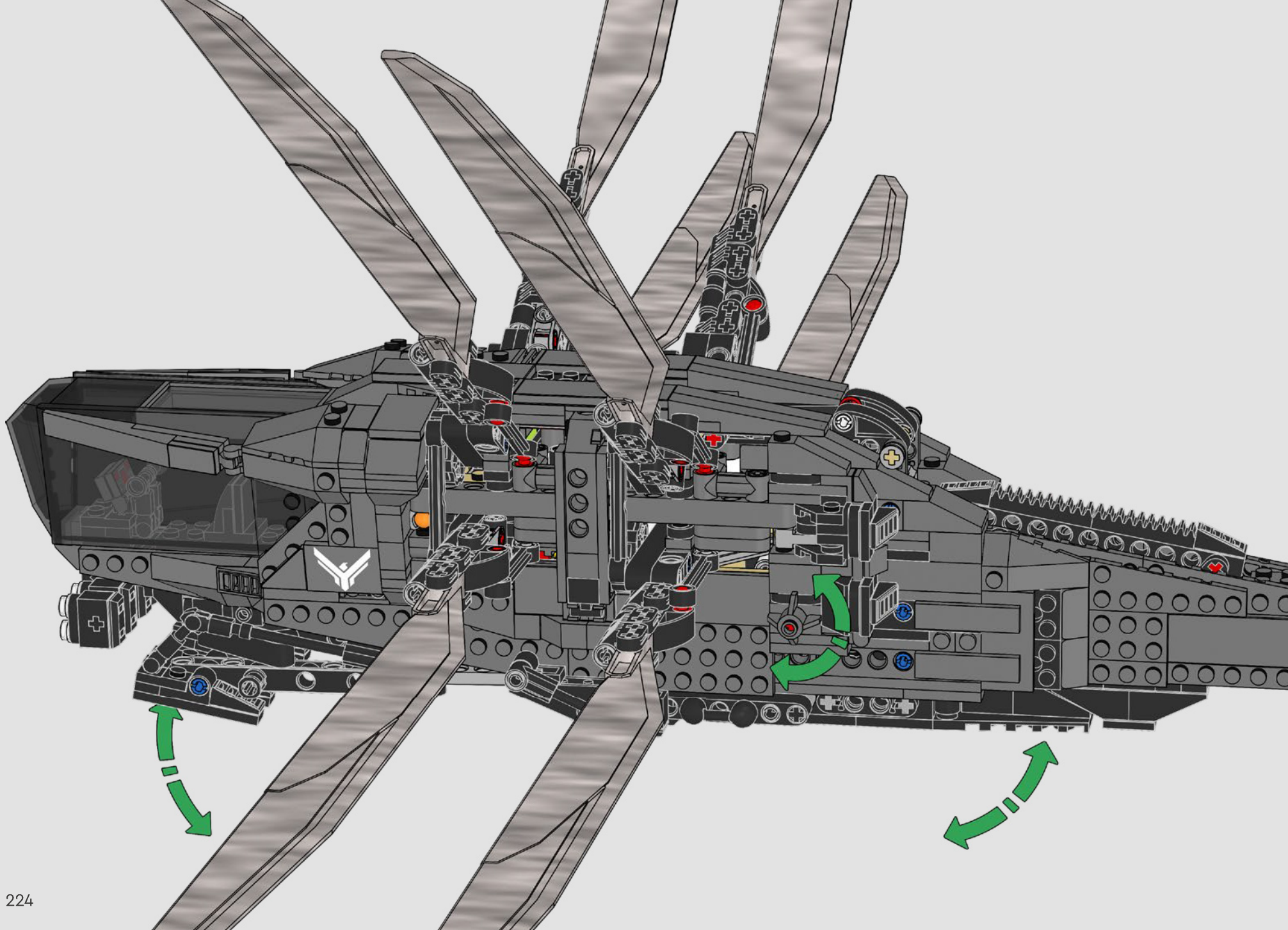


349

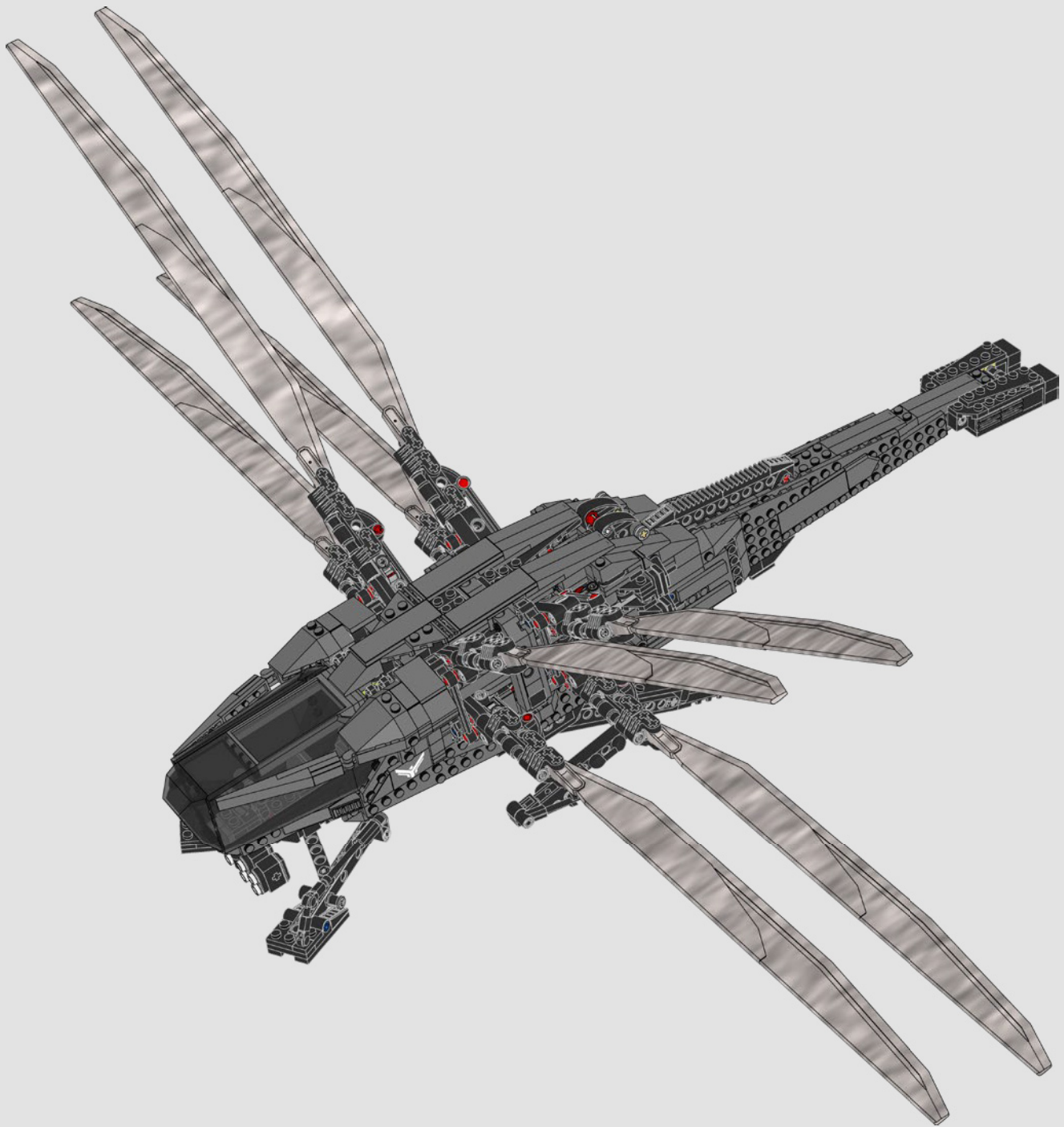


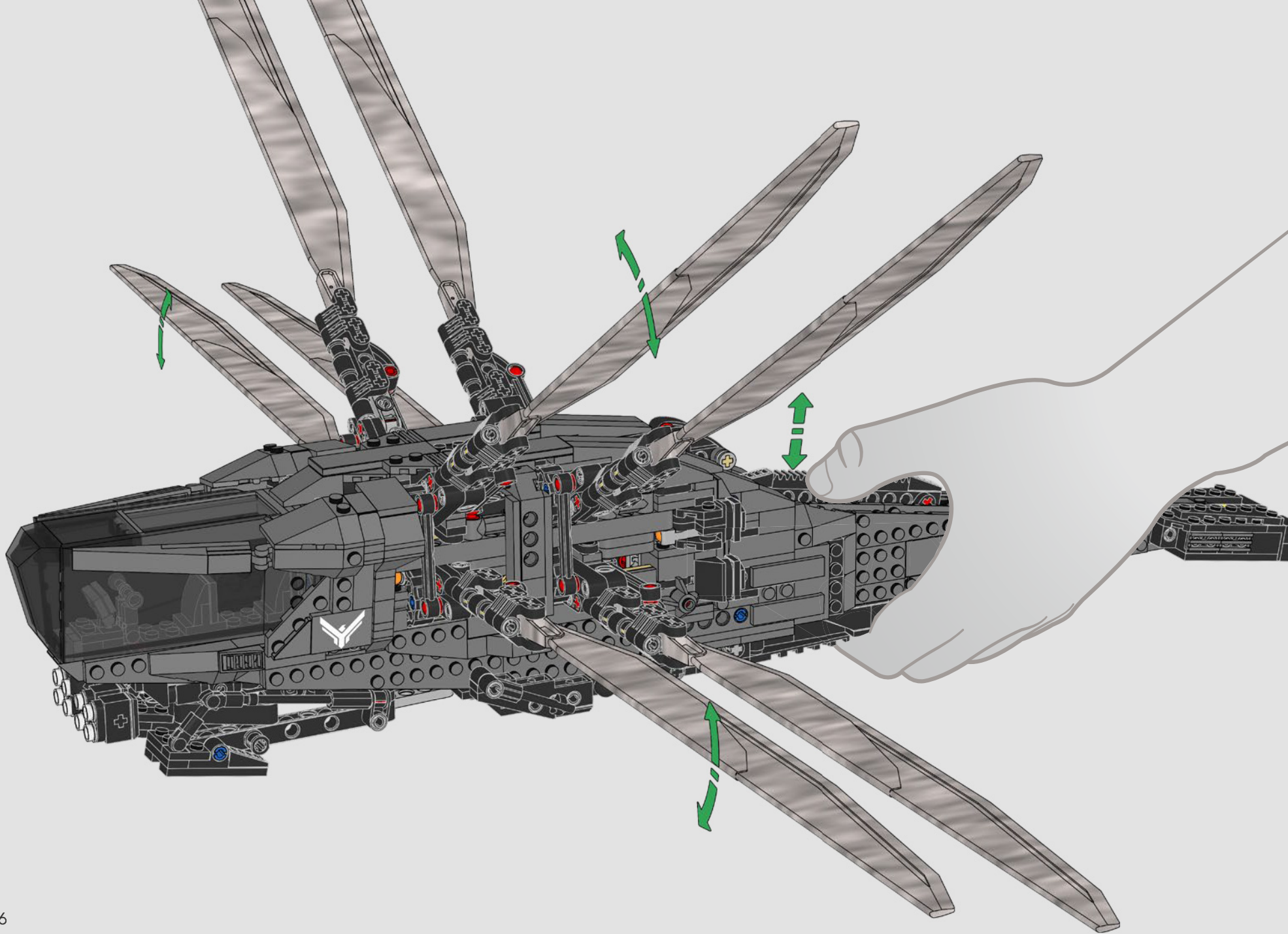


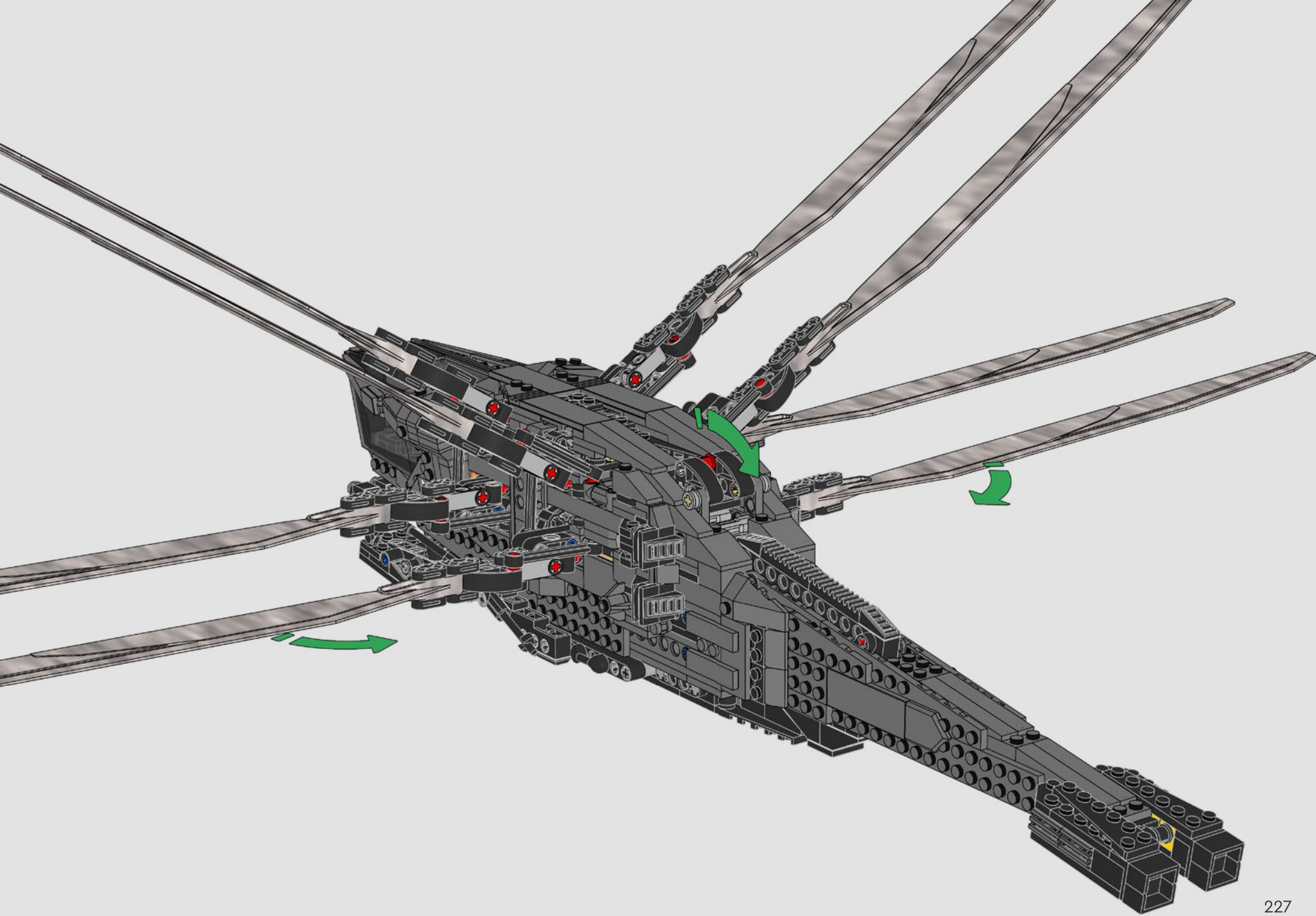












2x 6346389  
5x 6058177  
6x 6289797  
4x 4208160  
1x 6478175  
1x 6480837  
2x 6370532  
10x 371001  
2x 6360069  
2x 389401  
2x 6001831  
4x 6013938  
6x 4666579  
1x 6117975

8x 4121921  
4x 4118790  
4x 4201062  
5x 4550323  
2x 4550324  
1x 6186258  
2x 4143409  
7x 6271820  
30x 6378120  
20x 6360104  
2x 6384112  
31x 4142865  
7x 300421  
1x 6385920  
2x 6271827

3x 6130002  
1x 6335578  
2x 379521  
1x 6130005  
7x 4206482  
20x 6299413  
4x 6271167  
14x 654124  
1x 6344181  
8x 6130007  
1x 6072627  
2x 362224  
2x 6170294

24x 614126  
2x 306226  
4x 6439039  
6x 6284699  
18x 6121485  
2x 459926  
8x 407026  
2x 6170566  
2x 6234695  
2x 6299338  
1x 6134617  
1x 6055640  
2x 6344427  
60x 6210270  
2x 6344428

2x 6338428  
1x 6405548  
3x 6261371  
64x 6279875  
5x 6271535  
48x 4109810  
8x 6282140  
1x 6253260  
2x 4512363  
10x 6326047  
1x 6280394  
1x 9339  
1x 6173119  
10x 6114987  
18x 6092585  
6x 6174243

2x 302326  
2x 6465248  
1x 6266244  
4x 6138173  
6x 6156991  
4x 6178922  
10x 4541191  
2x 4144024  
1x 6146220  
4x 6248496  
2x 3200026  
2x 6347310  
2x 6192309  
2x 6117973  
1x 6310268

3x 6250020  
1x 6276875  
2x 6428168  
2x 6151289  
18x 6331723  
4x 6266224  
4x 6396457  
24x 6279021  
4x 6061032  
2x 6265730  
1x 303926  
8x 302226  
6x 242026  
2x 306826  
2x 6211476

1x 6013867  
2x 235726  
2x 6425507  
1x 6365577  
5x 6469445  
19x 6321745  
8x 6186133  
8x 6477712  
2x 362326  
1x 6478958  
2x 6435928  
10x 6327548  
2x 6116604  
1x 329826

1x 370526  
3x 370126  
10x 371026  
2x 301026  
2x 6457282  
2x 300126  
2x 302026  
8x 4142135  
4x 6350415  
1x 6256116  
1x 6275401  
2x 6170421  
12x 4629921

1x 370626  
5x 6039194  
2x 4620763  
2x 663626  
2x 6311889  
2x 6064228  
1x 617926  
1x 6414768  
2x 379526  
4x 4495935  
1x 370726  
4x 346026

9

3

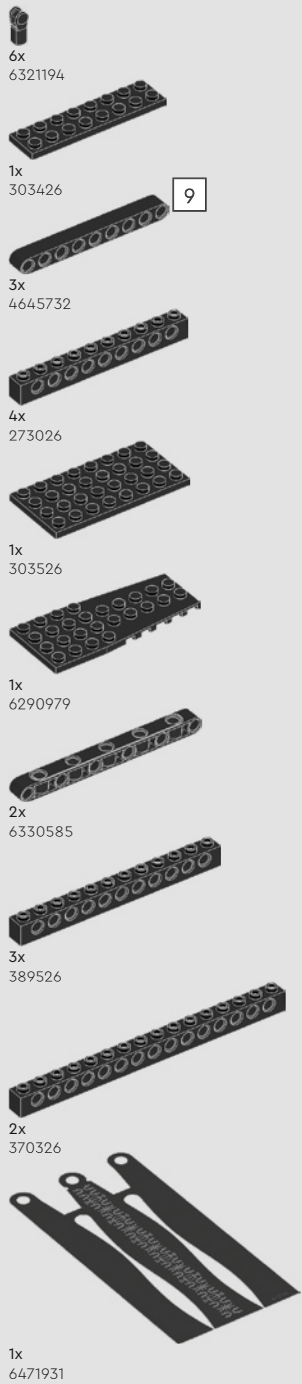
6

10

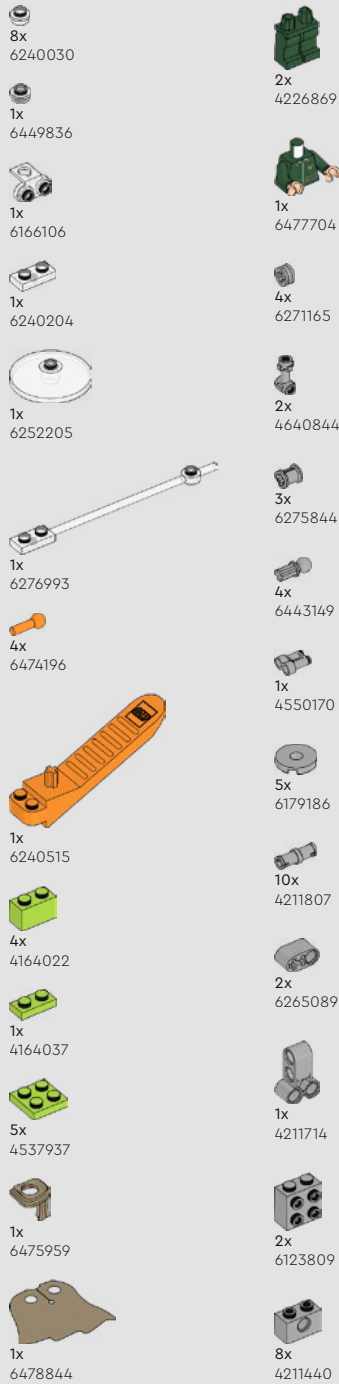
5

7

8



9



3

5

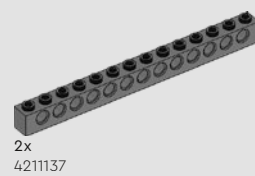
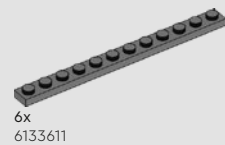
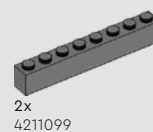
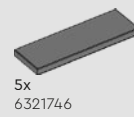
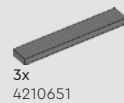
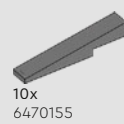
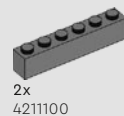
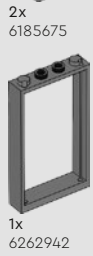


13



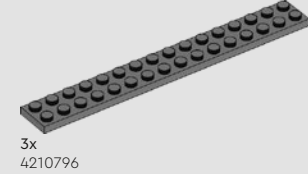
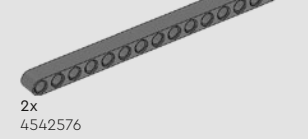
4

9x  
6083620

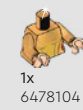
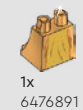


7

2x  
4517996



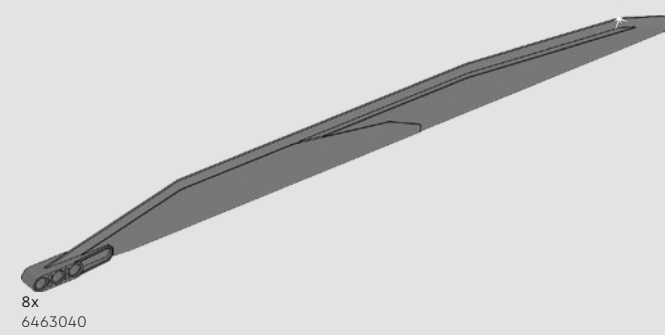
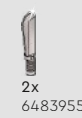
1x  
6476884



1x  
6478066

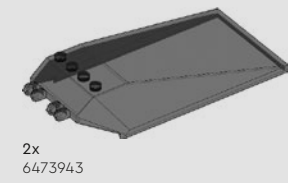
1x  
6093516

1x  
6476883



1x  
6476892

1x  
6476880



LEGO.com/service



# YOU COULD WIN



## YOU COULD WIN

Your feedback will help shape the future development of this product series.

Visit:

## DU KÖNNTEST GEWINNEN

Dein Feedback trägt zur Weiterentwicklung dieser Produktreihe bei.

Geh auf:

## VOUS POURRIEZ GAGNER

Vos commentaires nous aideront à concevoir les futurs produits de cette gamme.

Visitez :

## POTRESTI VINCERE TU

La tua opinione ci aiuterà a migliorare la creazione futura di questa linea di prodotti.

Visita:

## PUEDES GANAR

Tu opinión contribuirá al futuro de esta serie de productos.

Visita:

## 轻松获奖

您的反馈将有助于我们在今后改进本产品系列。

请访问:

---

[LEGO.com/productfeedback](https://www.lego.com/productfeedback)

---

You also have the chance to win a LEGO® set.

Terms and conditions apply.\*

Außerdem hast du die Chance, ein LEGO® Set zu gewinnen.

Es gelten die Teilnahmebedingungen.\*

Vous pourriez également gagner un ensemble LEGO®.

Des conditions s'appliquent.\*

Hai anche la possibilità di vincere un set LEGO®.

Termini e condizioni sono applicabili.\*

También tienes la oportunidad de ganar un set LEGO®.

Aplican términos y condiciones.\*

您还有机会赢取乐高®套装。

条款和条件适用。\*

\*[LEGO.com/productfeedback-terms](https://www.lego.com/productfeedback-terms)



LEGO and the LEGO logo are trademarks of the LEGO Group.

©2024 The LEGO Group. 6502379

© 2024 Legendary. All Rights Reserved.